

# SIEMENS

## SIMATIC

### S7-300 CPU 31xC and CPU 31x, Technical data

#### Manual

#### Preface

---

Guide to the S7-300  
documentation 1

---

Operating and display  
elements 2

---

Communication 3

---

Memory concept 4

---

Cycle and reaction times 5

---

Technical data of CPU 31xC 6

---

Technical data of CPU 31x 7

---

Appendix A

---

This manual is part of the documentation package  
with the order number: 6ES7398-8FA10-8BA0

Edition 08/2004

A5E00105475-05

## Safety Guidelines

This manual contains notices which you should observe to ensure your own personal safety as well as to avoid property damage. The notices referring to your personal safety are highlighted in the manual by a safety alert symbol, notices referring to property damage only have no safety alert symbol.



---

### Danger

indicates an imminently hazardous situation which, if not avoided, will result in death or serious injury.

---



---

### Warning

indicates a potentially hazardous situation which, if not avoided, could result in death or serious injury.

---



---

### Caution

used with the safety alert symbol indicates a potentially hazardous situation which, if not avoided, may result in minor or moderate injury.

---

---

### Caution

used without safety alert symbol indicates a potentially hazardous situation which, if not avoided, may result in property damage.

---

---

### Notice

used without the safety alert symbol indicates a potential situation which, if not avoided, may result in an undesirable result or state.

---

When several danger levels apply, the notices of the highest level (lower number) are always displayed. If a notice refers to personal damages with the safety alert symbol, then another notice may be added warning of property damage.

## Qualified Personnel

The device/system may only be set up and operated in conjunction with this documentation. Only qualified personnel should be allowed to install and work on the equipment. Qualified persons are defined as persons who are authorized to commission, to earth, and to tag circuits, equipment and systems in accordance with established safety practices and standards.

## Intended Use

Please note the following:



---

### Warning

This device and its components may only be used for the applications described in the catalog or technical description, and only in connection with devices or components from other manufacturers approved or recommended by Siemens.

This product can only function correctly and safely if it is transported, stored, set up and installed correctly, and operated and maintained as recommended.

---

## Trademarks

All designations marked with ® are registered trademarks of Siemens AG. Other designations in this documentation might be trademarks which, if used by third parties for their purposes, might infringe upon the rights of the proprietors.

### Copyright Siemens AG ,2004.All rights reserved

Reproduction, transmission or use of this document or its contents is not permitted without express written authority. Offenders will be liable for damages. All rights, including rights created by patent grant or registration of a utility model or design, are reserved.

### Disclaimer of Liability

We have checked the contents of this manual for agreement with the hardware and software described. Since deviations cannot be precluded entirely, we cannot guarantee full agreement. However, the data in the manual are reviewed regularly, and any necessary corrections will be included in subsequent editions. Suggestions for improvement are welcomed.

Siemens AG  
Automation and Drives Group  
P.O. Box 4848, D-90327 Nuremberg (Germany)

Siemens AG 2004  
Technical data subject to change

# Preface

## Purpose of the Manual

This manual contains all the information you will need concerning the configuration, communication, memory concept, cycle, response times and technical data for the CPUs. You will then learn the points to consider when upgrading to one of the CPUs discussed in this manual.

## Required basic knowledge

- To understand this manual, you require a general knowledge of automation engineering.
- You should also be accustomed to working with STEP 7 basic software.

## Area of application

Table 1-1 Application area covered by this manual

CPU	Convention: CPU designations:	Order number	as of version	
			Firmware	Hardware
CPU 312C	CPU 31xC	6ES7312-5BD01-0AB0	V2.0.0	01
CPU 313C		6ES7313-5BE01-0AB0	V2.0.0	01
CPU 313C-2 PtP		6ES7313-6BE01-0AB0	V2.0.0	01
CPU 313C-2 DP		6ES7313-6CE01-0AB0	V2.0.0	01
CPU 314C-2 PtP		6ES7314-6BF01-0AB0	V2.0.0	01
CPU 314C-2 DP		6ES7314-6CF01-0AB0	V2.0.0	01
CPU 312	CPU 31x	6ES7312-1AD10-0AB0	V2.0.0	01
CPU 314		6ES7314-1AF10-0AB0	V2.0.0	01
CPU 315-2 DP		6ES7315-2AG10-0AB0	V2.0.0	01
CPU 315-2 PN/DP		6ES7315-2EG10-0AB0	V2.3.0	01
CPU 317-2 DP		6ES7317-2AJ10-0AB0	V2.1.0	01
CPU 317-2 PN/DP		6ES7317-2EJ10-0AB0	V2.3.0	01

### Note

The special features of the CPU 315F-2 DP (6ES7 315-6FF00-0AB0) and CPU 317F-2 DP (6ES7 317-6FF00-0AB0) are described in their Product Information, available on the Internet at <http://www.siemens.com/automation/service&support>, article ID 17015818.

---

**Note**

There you can obtain the descriptions of all current modules. For new modules, or modules of a more recent version, we reserve the right to include a Product Information containing latest information.

---

**Approvals**

The SIMATIC S7-300 product series has the following approvals:

- Underwriters Laboratories, Inc.: UL 508 (Industrial Control Equipment)
- Canadian Standards Association: CSA C22.2 No. 142, (Process Control Equipment)
- Factory Mutual Research: Approval Standard Class Number 3611

**CE label**

The SIMATIC S7-300 product series satisfies the requirements and safety specifications of the following  
EC Directives:

- EC Directive 73/23/EEC "Low-voltage directive"
- EC Directive 89/336/EEC "EMC directive"

**C tick mark**

The SIMATIC S7-300 product series is compliant with AS/NZS 2064 (Australia).

**Standards**

The SIMATIC S7-300 product series is compliant with IEC 61131-2.

## Documentation classification

This manual is part of the S7-300 documentation package.

Name of the manual	Description
<b>YOU ARE READING the Manual</b> <ul style="list-style-type: none"> <li>CPU 31xC and CPU 31x, Technical data</li> </ul>	Control and display elements, communication, memory concept, cycle and response times, technical data
<b>Reference Manual</b> <ul style="list-style-type: none"> <li>CPU data: CPU 312 IFM – 318-2 DP</li> </ul>	Control and display elements, communication, memory concept, cycle and response times, technical data
<b>Operating Instructions</b> <ul style="list-style-type: none"> <li>S7-300, CPU 31xC and CPU 31x: Installation</li> </ul>	Configuration, installation, wiring, addressing, commissioning, maintenance and the test functions, diagnostics and troubleshooting.
<b>Installation Manual</b> <ul style="list-style-type: none"> <li>S7-300 Automation System: Installation: CPU 312 IFM – 318-2 DP</li> </ul>	Configuration, installation, wiring, addressing, commissioning, maintenance and the test functions, diagnostics and troubleshooting.
<b>System Manual</b> PROFINET System Description	Basic information on PROFINET: Network components, data exchange and communication, PROFINET I/O, Component based Automation, application example of PROFINET I/O and Component based Automation
<b>Programming Manual</b> From PROFIBUS DP to PROFINET IO	Guideline for the migration from PROFIBUS DP to PROFINET I/O.
<b>Manual</b> <ul style="list-style-type: none"> <li>CPU 31xC: Technological functions</li> <li>Examples</li> </ul>	Description of the individual technological functions Positioning, Counting, PtP communication, rules  The CD contains examples of the technological functions
<b>Reference Manual</b> <ul style="list-style-type: none"> <li>S7-300 Automation System: Module data</li> </ul>	Descriptions of the functions and technical data of signal modules, power supply modules and interface modules.
<b>Instruction List</b> <ul style="list-style-type: none"> <li>CPU 312 IFM – 318-2 DP</li> <li>CPU 31xC and CPU 31x</li> </ul>	List of CPU instruction resources and the relevant execution times. List of executable blocks.
<b>Getting Started</b> The following Getting Started editions are available as a collective volume: <ul style="list-style-type: none"> <li>CPU 31x: Commissioning</li> <li>CPU 31xC: Commissioning</li> <li>CPU 31xC: Positioning with analog output</li> <li>CPU 31xC: Positioning with digital output</li> <li>CPU 31xC: Counting</li> <li>CPU 31xC: Rules</li> <li>CPU 31xC: PtP communication</li> <li>CPU 31x-2 PN/DP: Commissioning a PROFINET IO subnet</li> </ul>	The example used in this Getting Started guides you through the various steps in commissioning required to obtain a fully functional application.

Additional information required:

Name of the manual	Description
<b>Reference Manual</b> System software for S7-300/400 system and standard functions	Description of the SFCs, SFBs and OBs. This manual is part of the STEP 7 documentation package. For further information, refer to the STEP 7 Online Help.
<b>Manual</b> SIMATIC NET: Twisted Pair and Fiber-Optic Networks	Description of Industrial Ethernet networks, network configuration, components, installation guidelines for networked automation systems in buildings, etc.
<b>Manual</b> Component-based Automation: Configuring systems with SIMATIC iMap	Description of the engineering software iMAP
<b>Manual</b> Programming with STEP 7 V5.3	Programming with STEP 7
<b>Manual</b> SIMATIC communication	Basics, services, networks, communication functions, connecting PGs/OPs, engineering and configuring in STEP 7.

www.DataSheet4U.com

### Recycling and Disposal

The devices described in this manual can be recycled, due to their ecologically compatible components. For environment-friendly recycling and disposal of your old equipment, contact a certified disposal facility for electronic scrap.

# Table of contents

	<b>Preface</b> .....	<b>iii</b>
<b>1</b>	<b>Guide to the S7-300 documentation</b> .....	<b>1-1</b>
<b>2</b>	<b>Operating and display elements</b> .....	<b>2-1</b>
2.1	Operating and display elements: CPU 31xC .....	2-1
2.1.1	Status and Error Indicators: CPU 31xC .....	2-4
2.2	Operating and display elements: CPU 31x .....	2-5
2.2.1	Operating and display elements: CPU 312, 314, 315-2 DP: .....	2-5
2.2.2	Operating and display elements: CPU 317-2 DP .....	2-7
2.2.3	Operating and display elements: CPU 31x-2 PN/DP .....	2-9
2.2.4	Status and error displays of the CPU 31x .....	2-11
<b>3</b>	<b>Communication</b> .....	<b>3-1</b>
3.1	Interfaces .....	3-1
3.1.1	Multi-Point Interface (MPI) .....	3-1
3.1.2	PROFIBUS DP .....	3-2
3.1.3	PROFINET (PN) .....	3-3
3.1.4	Point to Point (PtP) .....	3-5
3.2	Communication services .....	3-6
3.2.1	Overview of communication services .....	3-6
3.2.2	PG communication .....	3-7
3.2.3	OP communication .....	3-7
3.2.4	Data exchanged by means of S7 basic communication .....	3-7
3.2.5	S7 communication .....	3-8
3.2.6	Global data communication (MPI only) .....	3-9
3.2.7	Routing .....	3-10
3.2.8	PtP communication .....	3-15
3.2.9	Data consistency .....	3-16
3.2.10	Communication via PROFINET (only CPU 31x-2 PN/DP) .....	3-16
3.2.10.1	PROFINET IO System .....	3-19
3.2.10.2	Blocks in PROFINET IO .....	3-20
3.2.10.3	System status lists (SSLs) in PROFINET IO .....	3-23
3.2.10.4	Open communication via Industrial Ethernet .....	3-24
3.2.10.5	SNMP communication service .....	3-26
3.3	S7 connections .....	3-26
3.3.1	S7 connection as communication path .....	3-26
3.3.2	Assignment of S7 connections .....	3-27
3.3.3	Distribution and availability of S7 connection resources .....	3-29
3.3.4	Connection resources for routing .....	3-31
3.4	DPV1 .....	3-32

<b>4</b>	<b>Memory concept .....</b>	<b>4-1</b>
4.1	Memory areas and retentivity .....	4-1
4.1.1	CPU memory areas.....	4-1
4.1.2	Retentivity of the load memory, system memory and RAM.....	4-2
4.1.3	Retentivity of memory objects .....	4-3
4.1.4	Address areas of system memory .....	4-5
4.1.5	Properties of the Micro Memory Card (MMC).....	4-9
4.2	Memory functions.....	4-11
4.2.1	General: Memory functions.....	4-11
4.2.2	Loading user program from Micro Memory Card (MMC) to the CPU .....	4-11
4.2.3	Handling with modules .....	4-12
4.2.3.1	Download of new blocks or delta downloads .....	4-12
4.2.3.2	Uploading blocks.....	4-12
4.2.3.3	Deleting blocks.....	4-13
4.2.3.4	Compressing blocks.....	4-13
4.2.3.5	Promming (RAM to ROM).....	4-13
4.2.4	CPU memory reset and restart .....	4-13
4.2.5	Recipes .....	4-15
4.2.6	Measured value log files .....	4-17
4.2.7	Backup of project data to a Micro Memory Card (MMC) .....	4-19
<b>5</b>	<b>Cycle and reaction times.....</b>	<b>5-1</b>
5.1	Overview .....	5-1
5.2	Cycle time.....	5-2
5.2.1	Overview .....	5-2
5.2.2	Calculating the cycle time .....	5-5
5.2.3	Different cycle times .....	5-8
5.2.4	Communication load .....	5-9
5.2.5	Cycle time extension as a result of testing and commissioning functions .....	5-11
5.2.6	Cycle extension through component-based automation (CBA).....	5-11
5.3	Response time .....	5-14
5.3.1	Overview .....	5-14
5.3.2	Shortest response time .....	5-16
5.3.3	Longest response time.....	5-17
5.3.4	Reducing the response time with direct I/O access.....	5-18
5.4	Calculating method for calculating the cycle/response time .....	5-19
5.5	Interrupt response time .....	5-21
5.5.1	Overview .....	5-21
5.5.2	Reproducibility of delay interrupts and watchdog interrupts .....	5-23
5.6	Sample calculations .....	5-24
5.6.1	Example of cycle time calculation .....	5-24
5.6.2	Sample of response time calculation .....	5-25
5.6.3	Example of interrupt response time calculation .....	5-27
<b>6</b>	<b>Technical data of CPU 31xC.....</b>	<b>6-1</b>
6.1	General technical data .....	6-1
6.1.1	Dimensions of CPU 31xC .....	6-1
6.1.2	Technical data of the Micro Memory Card (MMC).....	6-2
6.2	CPU 312C.....	6-3
6.3	CPU 313C .....	6-8
6.4	CPU 313C-2 PtP and CPU 313C-2 DP .....	6-14



6.5	CPU 314C-2 PtP and CPU 314C-2 DP .....	6-21
6.6	Technical data of the integrated I/O .....	6-28
6.6.1	Arrangement and usage of integrated I/Os .....	6-28
6.6.2	Analog I/O .....	6-34
6.6.3	Configuration .....	6-39
6.6.4	Interrupts .....	6-45
6.6.5	Diagnostics .....	6-46
6.6.6	Digital inputs .....	6-46
6.6.7	Digital outputs .....	6-48
6.6.8	Analog inputs .....	6-51
6.6.9	Analog outputs .....	6-53
<b>7</b>	<b>Technical data of CPU 31x .....</b>	<b>7-1</b>
7.1	General technical data .....	7-1
7.1.1	Dimensions of CPU 31x .....	7-1
7.1.2	Technical data of the Micro Memory Card (MMC) .....	7-2
7.2	CPU 312 .....	7-3
7.3	CPU 314 .....	7-8
7.4	CPU 315-2 DP .....	7-13
7.5	CPU 315-2 PN/DP .....	7-19
7.6	CPU 317-2 DP .....	7-26
7.7	CPU 317-2 PN/DP .....	7-33
<b>A</b>	<b>Appendix .....</b>	<b>A-1</b>
A.1	Information about upgrading to a CPU 31xC or CPU 31x .....	A-1
A.1.1	Area of applicability .....	A-1
A.1.2	Changed behavior of certain SFCs .....	A-2
A.1.3	Interrupt events from distributed I/Os while the CPU status is in STOP .....	A-4
A.1.4	Runtimes that change while the program is running .....	A-5
A.1.5	Converting the diagnostic addresses of DP slaves .....	A-5
A.1.6	Reusing existing hardware configurations .....	A-6
A.1.7	Replacing a CPU 31xC/31x .....	A-6
A.1.8	Using consistent data areas in the process image of a DP slave system .....	A-7
A.1.9	Load memory concept for the CPU 31xC/31x .....	A-8
A.1.10	PG/OP functions .....	A-8
A.1.11	Routing for the CPU 31xC/31x as an intelligent slave .....	A-8
A.1.12	Changed retentive behavior for CPUs with firmware >= V2.1.0 .....	A-9
A.1.13	FMs/CPs with separate MPI address in the central rack of a CPU 315-2 PN/DP / CPU 317 ...	A-9
A.1.14	Using loadable blocks for S7 communication for the integrated PROFINET interface .....	A-10
	<b>Glossary .....</b>	<b>Glossary-1</b>
	<b>Index .....</b>	<b>Index-1</b>

**Tables**

Table 1-1	Application area covered by this manual .....	iii
Table 1-1	Ambient influence on the automation system (AS).....	1-1
Table 1-2	Galvanic isolation .....	1-1
Table 1-3	Communication between sensors/actuators and the PLC.....	1-2
Table 1-4	The use of local and distributed I/O .....	1-2
Table 1-5	Configuration consisting of the Central Unit (CU) and Expansion Modules (EMs).....	1-2
Table 1-6	CPU performance .....	1-3
Table 1-7	Communication .....	1-3
Table 1-8	Software .....	1-3
Table 1-9	Supplementary features .....	1-4
Table 2-1	Positions of the mode selector switch.....	2-3
Table 2-2	Differences of the CPUs 31xC .....	2-3
Table 2-3	Positions of the mode selector switch.....	2-6
Table 2-4	Positions of the mode selector switch.....	2-8
Table 2-5	Positions of the mode selector switch.....	2-10
Table 2-6	General status and error displays of the CPU 31x .....	2-11
Table 2-7	Bus error displays of CPU 31x.....	2-11
Table 3-1	Operating modes for CPUs with two DP interfaces .....	3-2
Table 3-2	Communication services of the CPUs .....	3-6
Table 3-3	Client and server in S7 communication, using connections with unilateral / bilateral configuration .....	3-8
Table 3-4	GD resources of the CPUs.....	3-10
Table 3-5	Number of routing connections for DP CPUs .....	3-12
Table 3-6	New System Standard Functions of PROFINET IO and PROFIBUS DP and Those That Must Be Replaced.....	3-21
Table 3-7	System and Standard Functions in PROFIBUS DP that must be Implemented with Different Functions in PROFINET IO .....	3-22
Table 3-8	OBs in PROFINET IO and PROFIBUS DP.....	3-22
Table 3-9	Comparison of the System Status Lists of PROFINET and PROFIBUS .....	3-23
Table 3-10	Distribution of connections .....	3-29
Table 3-11	Availability of connection resources.....	3-30
Table 3-12	Number of routing connection resources (for DP/PN CPUs).....	3-31
Table 3-13	Interrupt blocks with DPV1 functionality.....	3-33
Table 3-14	System function blocks with DPV1 functionality .....	3-33

Table 4-1	Retentivity of the RAM .....	4-2
Table 4-2	Retentive behavior of memory objects (applies to all CPUs with DP/MPI-SS (31x-2 PN/DP) ..	4-3
Table 4-3	Retentive behavior of DBs for CPUs with firmware $\geq$ V2.1.0 .....	4-4
Table 4-4	Address areas of system memory .....	4-5
Table 5-1	Cyclic program processing.....	5-3
Table 5-2	Formula for calculating the process image (PI) transfer time .....	5-5
Table 5-3	CPU 31xC: Data for calculating the process image (PI) transfer time.....	5-5
Table 5-4	CPU 31x: Data for calculating the process image (PI) transfer time .....	5-6
Table 5-5	Extending the user program processing time .....	5-6
Table 5-6	Operating system processing time at the scan cycle checkpoint .....	5-7
Table 5-7	Extended cycle time due to nested interrupts.....	5-7
Table 5-8	Cycle time extension as a result of errors.....	5-8
Table 5-9	Cycle time extension as a result of testing and commissioning functions.....	5-11
Table 5-10	Formula: Shortest response time.....	5-16
Table 5-11	Formula: Longest response time .....	5-18
Table 5-12	Calculating the response time.....	5-20
Table 5-13	Process/diagnostic interrupt response times .....	5-21
Table 5-14	Process/diagnostic interrupt response times .....	5-22
Table 6-1	Available MMCs .....	6-2
Table 6-2	Maximum number of loadable blocks on the MMC.....	6-2
Table 6-3	Technical data of CPU 312C .....	6-3
Table 6-4	Technical data of CPU 313C .....	6-8
Table 6-5	Technical data for CPU 313C-2 PtP/ CPU 313C-2 DP.....	6-14
Table 6-6	Technical data of CPU 314C-2 PtP and CPU 314C-2 DP.....	6-21
Table 6-7	Parameters of standard DI.....	6-39
Table 6-8	Parameters of the interrupt inputs.....	6-39
Table 6-9	Parameters of standard AI .....	6-41
Table 6-10	Parameters of standard AO .....	6-42
Table 6-11	Start information for OB40, relating to the interrupt inputs of the integrated I/O .....	6-45
Table 6-12	Technical data of digital inputs.....	6-47
Table 6-13	Technical data of digital outputs .....	6-49
Table 6-14	Technical data of analog inputs .....	6-51
Table 6-15	Technical data of analog outputs.....	6-53

*Table of contents*

---

Table 7-1	Available MMCs .....	7-2
Table 7-2	Maximum number of loadable blocks on the MMC.....	7-2
Table 7-3	Technical data for the CPU 312.....	7-3
Table 7-4	Technical data for the CPU 314.....	7-8
Table 7-5	Technical data for the CPU 315-2 DP.....	7-13
Table 7-6	Technical data for the CPU 315-2 PN/DP.....	7-19
Table 7-7	Technical data for the CPU 317-2 DP.....	7-26
Table 7-8	Technical data for the CPU 317-2 PN/DP.....	7-33
Table A-1	Consistent data .....	A-7

www.DataSheet4U.com

# Guide to the S7-300 documentation

## Overview

There you find a guide leading you through the S7-300 documentation.

## Selecting and configuring

Table 1-1 Ambient influence on the automation system (AS)

Information on..	is available in ...
What provisions do I have to make for AS installation space?	S7-300, CPU 31xC and CPU 31x operating instructions: Installation: Configuring - Component dimensions S7-300, CPU 31xC and CPU 31x operating instructions: Installation: Mounting - Installing the mounting rail
How do environmental conditions influence the AS?	S7-300, CPU 31xC and CPU 31x operating instructions: Installation: Appendix

Table 1-2 Galvanic isolation

Information on..	is available in ...
Which modules can I use if electrical isolation is required between sensors/actuators?	S7-300, CPU 31xC and CPU 31x operating instructions: Installation: Configuring – Electrical assembly, protective measures and grounding Module Data Manual
Under what conditions do I have to isolate the modules electrically? How do I wire that?	S7-300, CPU 31xC and CPU 31x operating instructions: Installation: Configuring – Electrical assembly, protective measures and grounding CPU 31xC and CPU 31x operating instructions: Installation: Wiring
Under which conditions do I have to isolate stations electrically? How do I wire that?	S7-300, CPU 31xC and CPU 31x operating instructions: Installation – Configuring – Configuring subnets

Table 1-3 Communication between sensors/actuators and the PLC

Information on..	is available in ...
Which module is suitable for my sensor/actuator?	For CPU: CPU 31xC and CPU 31x Manual, Technical Data For signal modules: Reference manual of your signal module
How many sensors/actuators can I connect to the module?	For CPU: CPU 31xC and CPU 31x Manual, technical data of signal modules: Reference manual of your signal module
To connect my sensors/actuators to the PLC, how do I wire the front connector ?	S7-300, CPU 31xC and CPU 31x operating instructions: Installation: Wiring – Wiring the front connector
When do I need expansion modules (EM) and how do I connect them?	S7-300, CPU 31xC and CPU 31x operating instructions: Installation: Configuring – Distribution of modules to several racks
How to mount modules on racks / mounting rails	S7-300, CPU 31xC and CPU 31x operating instructions: Installation: Assembly – Installing modules on the mounting rail

Table 1-4 The use of local and distributed I/O

Information on..	is available in ...
Which range of modules do I want to use?	For local I/O and expansion devices: Module Data reference manual  For distributed I/O and PROFIBUS DP: Manual of the relevant I/O device

Table 1-5 Configuration consisting of the Central Unit (CU) and Expansion Modules (EMs)

Information on..	is available in ...
Which rack / mounting rail is most suitable for my application?	S7-300, CPU 31xC and CPU 31x operating instructions: Installation: Configuring
Which interface modules (IM) do I need to connect the EMs to the CU?	S7-300, CPU 31xC and CPU 31x operating instructions: Installation: Configuring – Distribution of modules to several racks
What is the right power supply (PS) for my application?	S7-300, CPU 31xC and CPU 31x operating instructions: Installation: Configuring

Table 1-6 CPU performance

Information on..	is available in ...
Which memory concept is best suited to my application?	CPU 31xC and CPU 31x Manual, Technical Data
How do I insert and remove Micro Memory Cards?	S7-300, CPU 31xC and CPU 31x operating instructions: Installation: Commissioning – Commissioning modules – Removing / inserting a Micro Memory Card (MMC)
Which CPU meets my demands on performance?	S7-300 instruction list: CPU 31xC and CPU 31x
Length of the CPU response / execution times	CPU 31xC and CPU 31x Manual, Technical Data
Which technological functions are implemented?	Technological Functions Manual
How can I use these technological functions?	Technological Functions Manual

Table 1-7 Communication

Information on..	is available in ...
Which principles do I have to take into account?	Communication with SIMATIC Manual PROFINET System Manual, System Description
Options and resources of the CPU	CPU 31xC and CPU 31x Manual, Technical Data
How to use communication processors (CPs) to optimize communication	CP Manual
Which type of communication network is best suited to my application?	S7-300, CPU 31xC and CPU 31x operating instructions: Installation: Configuring – Configuring subnets
How to network the various components	S7-300, CPU 31xC and CPU 31x operating instructions: Installation: Configuring – Configuring subnets
What to take into account when configuring PROFINET networks	SIMATIC NET Manual, Twisted-Pair and Fiber Optic Networks (6GK1970-1BA10-0AA0) – Network Configuration PROFINET System Manual, System Description – Installation and Commissioning

Table 1-8 Software

Information on..	is available in ...
Software requirements of my S7-300 system	CPU 31xC and CPU 31x Manual, Technical Data – Technical Data

Table 1-9 Supplementary features

Information on..	is available in ...
How to implement monitor and modify functions (Human Machine Interface)	For text-based displays: The relevant Manual For Operator Panels: The relevant Manual For WinCC: The relevant Manual
How to integrate process control modules	For PCS7: The relevant Manual
What options are offered by redundant and fail-safe systems?	S7-400H Manual – Redundant Systems Fail-Safe Systems Manual
Information to be observed when migrating from PROFIBUS DP to PROFINET IO	Programming Manual: From PROFIBUS DP to PROFINET IO

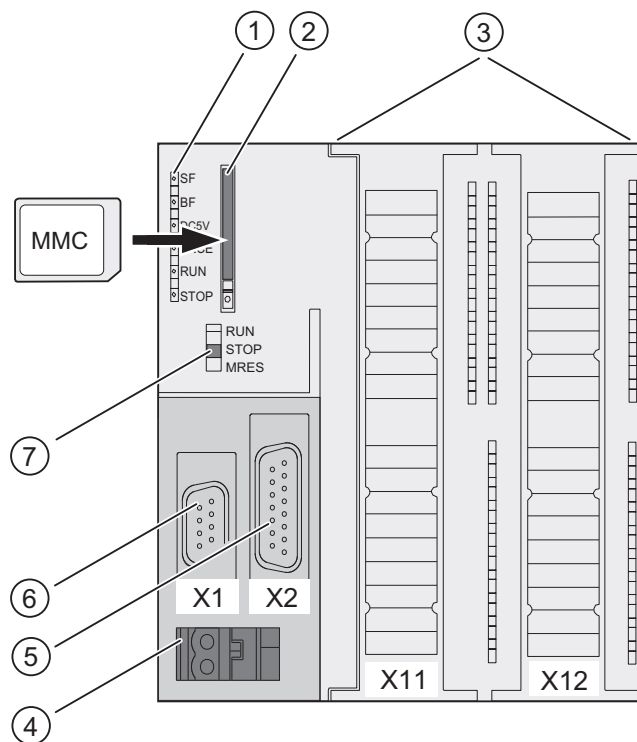


## Operating and display elements

www.DataSheet4U.com

### 2.1 Operating and display elements: CPU 31xC

#### Operating and display elements of CPU 31xC



The figures show	the following CPU elements
(1)	Status and error displays
(2)	Slot for the Micro Memory Card (MMC), incl. the ejector
(3)	Connections of the integrated I/O.
(4)	Power supply connection
(5)	2. Interface X2 (PtP or DP)
(6)	1. Interface X1 (MPI)
(7)	Mode selector switch

The figure below illustrates the integrated digital and analog I/Os of the CPU with open front covers.

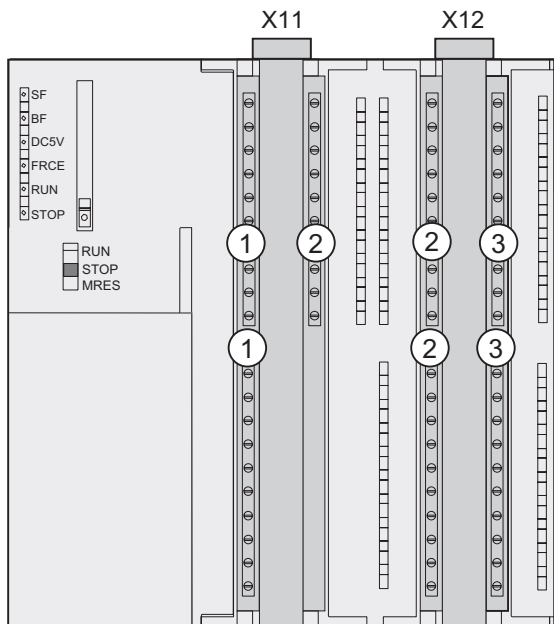


Figure 2-1 Integrated I/Os of CPU 31xC (CPU 314C-2 PtP, for example)

The figure shows	the following integrated I/Os
(1)	Analog I/Os
(2)	each with 8 digital inputs
(3)	each with 8 digital outputs

### Slot for the SIMATIC Micro Memory Card (MMC)

A SIMATIC micro memory card (MMC) is used as memory module. You can use MMCs as load memory and as portable storage medium.

#### Note

These CPUs do not have an integrated load memory and thus require an MMC for operation.

## Mode selector switch

Use the mode selector switch to set the CPU operating mode.

Table 2-1 Positions of the mode selector switch

Position	Meaning	Description
RUN	RUN mode	The CPU executes the user program.
STOP	STOP mode	The CPU does not execute a user program.
MRES	CPU memory reset	Mode selector switch position with pushbutton function for CPU memory reset. A CPU memory reset by means of mode selector switch requires a specific sequence of operation.

## Reference

- CPU operating modes: *STEP 7 Online Help*.
- Information on CPU memory reset: *Operating instructions CPU 31xC and CPU31x, Commissioning, Commissioning Modules, CPU Memory Reset by means of Mode Selector Switch*
- Evaluation of the LEDs upon error or diagnostic event: *Operating Instructions CPU 31xC and CPU 31x, Test Functions, Diagnostics and Troubleshooting, Diagnostics with the help of Status and Error LEDs*

## Power supply connection

Each CPU is equipped with a double-pole power supply socket. The connector with screw terminals is inserted into this socket when the CPU is delivered.

## Differences between the CPUs

Table 2-2 Differences of the CPUs 31xC

Element	CPU 312C	CPU 313C	CPU 313C-2 DP	CPU 313C-2 PtP	CPU 314C-2 DP	CPU 314C-2 PtP
9-pole DP interface (X2)	–	–	X	–	X	–
15-pole PtP interface (X2)	–	–	–	X	–	X
Digital inputs	10	24	16	16	24	24
Digital outputs	6	16	16	16	16	16
Analog inputs	–	4 + 1	–	–	4 + 1	4 + 1
Analog outputs	–	2	–	–	2	2
Technological functions	2 counters	3 counters	3 counters	3 counters	4 counters 1 channel for positioning	4 counters 1 channel for positioning

### 2.1.1 Status and Error Indicators: CPU 31xC

LED designation	Color	Meaning
SF	red	Hardware or software error
BF (for CPUs with DP interface only)	red	Bus error
DC5V	green	5-V power for CPU and S7-300 bus is OK
FRCE	yellow	Force job is active
RUN	green	CPU in RUN The LED flashes during STARTUP at a rate of 2 Hz, and in HOLD state at 0.5 Hz.
STOP	yellow	CPU in STOP and HOLD or STARTUP The LED flashes at 0.5 Hz when the CPU requests a memory reset, and during the reset at 2 Hz.

www.DataSheet4U.com

#### Reference

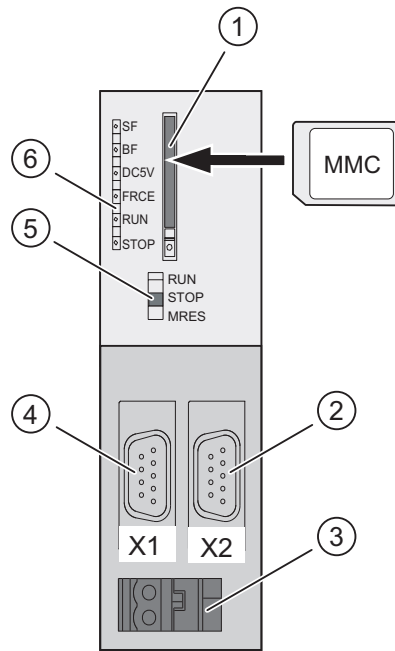
- CPU operating modes: *STEP 7 Online Help*.
- Information on CPU memory reset: *Operating instructions CPU 31xC and CPU31x, Commissioning, Commissioning Modules, CPU Memory Reset by means of Mode Selector Switch* Evaluation of the LEDs upon error or diagnostic event: *Operating Instructions CPU 31xC and CPU 31x, Test Functions, Diagnostics and Troubleshooting, Diagnostics with the help of Status and Error LEDs*

## 2.2 Operating and display elements: CPU 31x

### 2.2.1 Operating and display elements: CPU 312, 314, 315-2 DP:

#### Operating and display elements

www.DataSheet4U.com



The figures show	the following CPU elements
(1)	Slot for the Micro Memory Card (MMC), incl. the ejector
(2)	2. Interface X2 (only for CPU 315-2 DP)
(3)	Power supply connection
(4)	1. Interface X1 (MPI)
(5)	Mode selector switch
(6)	Status and error displays

### Slot for the SIMATIC Micro Memory Card (MMC)

A SIMATIC Micro Memory Card (MMC) is used as memory module. You can use MMCs as load memory and as portable storage medium.

---

#### Note

These CPUs do not have an integrated load memory and thus require an MMC for operation.

---

www.DataSheet4U.com

### Mode selector switch

The mode selector switch is used to set the CPU operating mode.

Table 2-3 Positions of the mode selector switch

Position	Meaning	Description
RUN	RUN mode	The CPU executes the user program.
STOP	STOP mode	The CPU does not execute a user program.
MRES	CPU memory reset	Mode selector switch position with pushbutton function for CPU memory reset. A CPU memory reset by means of mode selector switch requires a specific sequence of operation.

### Reference

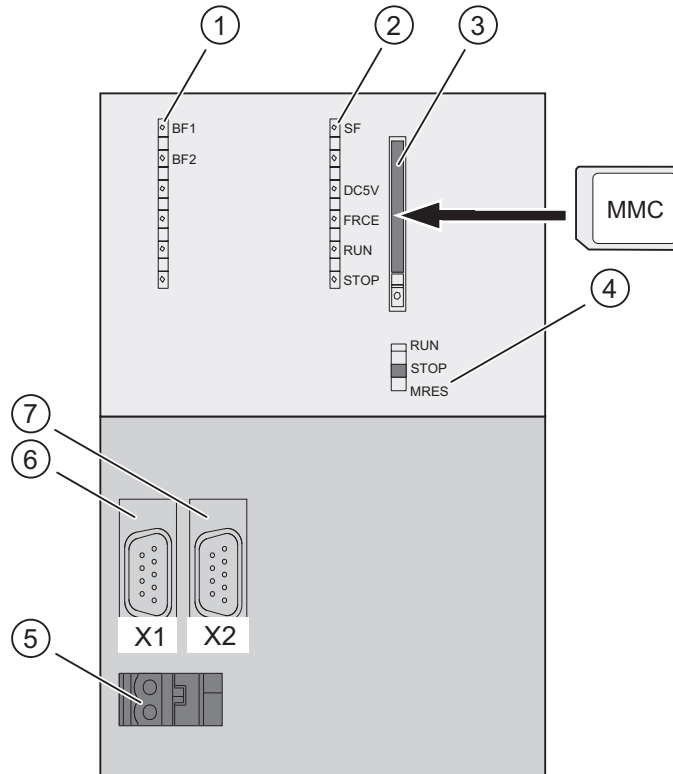
- CPU operating modes: *STEP 7 Online Help*.
- Information on CPU memory reset: *Operating instructions CPU 31xC and CPU31x, Commissioning, Commissioning Modules, CP Memory Reset by means of Mode Selector Switch*
- Evaluation of the LEDs upon error or diagnostic event: *Operating Instructions CPU 31xC and CPU 31x, Test Functions, Diagnostics and Troubleshooting, Diagnostics with the help of Status and Error LEDs*

### Power supply connection

Each CPU is equipped with a double-pole power supply socket. The connector with screw terminals is inserted into this socket when the CPU is delivered.

## 2.2.2 Operating and display elements: CPU 317-2 DP

### Operating and display elements



The figures show	the following CPU elements
(1)	Bus error indicator
(2)	Status and error displays
(3)	Slot for the Micro Memory Card (MMC), incl. the ejector
(4)	Mode selector switch
(5)	Power supply connection
(6)	1. Interface X1 (MPI/DP)
(7)	2. Interface X2 (DP)

### Slot for the SIMATIC Micro Memory Card (MMC)

A SIMATIC Micro Memory Card (MMC) is used as memory module. You can use MMCs as load memory and as portable storage medium.

---

#### Note

These CPUs do not have an integrated load memory and thus require an MMC for operation.

---

www.DataSheet4U.com

### Mode selector switch

Use the mode selector switch to set the CPU operating mode.

Table 2-4 Positions of the mode selector switch

Position	Meaning	Description
RUN	RUN mode	The CPU executes the user program.
STOP	STOP mode	The CPU does not execute a user program.
MRES	CPU memory reset	Mode selector switch position with pushbutton function for CPU memory reset. A CPU memory reset by means of mode selector switch requires a specific sequence of operation.

### Reference

- CPU operating modes: *STEP 7 Online Help*.
- Information on CPU memory reset: *Operating instructions CPU 31xC and CPU31x, Commissioning, Commissioning Modules, CP Memory Reset by means of Mode Selector Switch*
- Evaluation of the LEDs upon error or diagnostic event: *Operating Instructions CPU 31xC and CPU 31x, Test Functions, Diagnostics and Troubleshooting, Diagnostics with the help of Status and Error LEDs*

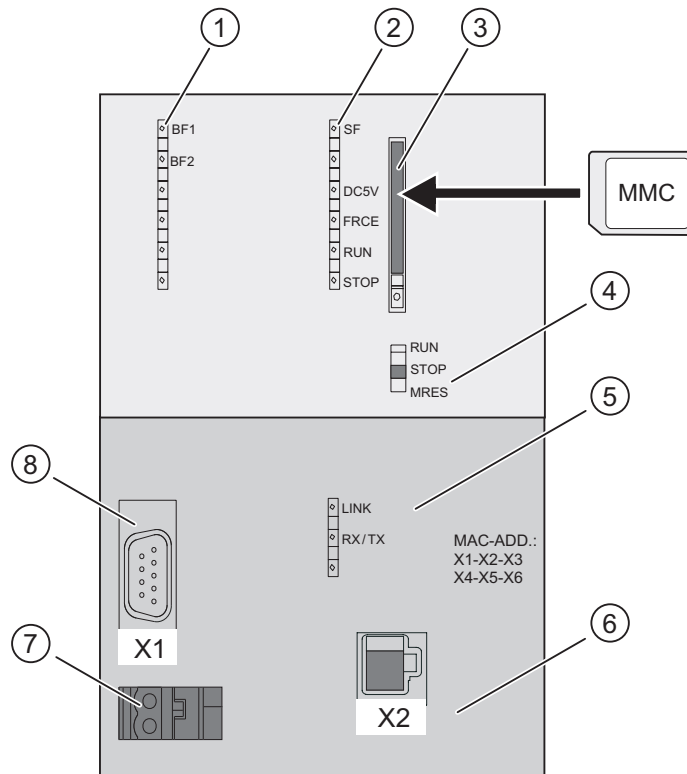
### Power supply connection

Each CPU is equipped with a double-pole power supply socket. The connector with screw terminals is inserted into this socket when the CPU is delivered.



### 2.2.3 Operating and display elements: CPU 31x-2 PN/DP

#### Operating and display elements



The figures show	the following CPU elements
(1)	Bus error indicators
(2)	Status and error displays
(3)	Slot for the Micro Memory Card (MMC), incl. the ejector
(4)	Mode selector switch
(5)	Status display of 2nd interface (X2)
(6)	2. Interface X2 (PN)
(7)	Power supply connection
(8)	1. Interface X1 (MPI/DP)

### Slot for the SIMATIC Micro Memory Card (MMC)

A SIMATIC Micro Memory Card (MMC) is used as memory module. You can use MMCs as load memory and as portable storage medium.

---

**Note**

These CPUs do not have an integrated load memory and thus require an MMC for operation.

---

www.DataSheet4U.com

### Mode selector switch

Use the mode selector switch to set the CPU operating mode.

Table 2-5 Positions of the mode selector switch

Position	Meaning	Description
RUN	RUN mode	The CPU executes the user program.
STOP	STOP mode	The CPU does not execute a user program.
MRES	CPU memory reset	Mode selector switch position with pushbutton function for CPU memory reset. A CPU memory reset by means of mode selector switch requires a specific sequence of operation.

### Reference

- CPU operating modes: *STEP 7 Online Help*.
- Information on CPU memory reset: *Operating instructions CPU 31xC and CPU31x, Commissioning, Commissioning Modules, CP Memory Reset by means of Mode Selector Switch*
- Evaluation of the LEDs upon error or diagnostic event: *Operating Instructions CPU 31xC and CPU 31x, Test Functions, Diagnostics and Troubleshooting, Diagnostics with the help of Status and Error LEDs*

### Power supply connection

Each CPU is equipped with a double-pole power supply socket. The connector with screw terminals is inserted into this socket when the CPU is delivered.

## 2.2.4 Status and error displays of the CPU 31x

### General status and error displays

Table 2-6 General status and error displays of the CPU 31x

LED designation	Color	Meaning
SF	red	Hardware or software error.
DC5V	green	5-V power for the CPU and the S7-300 bus
FRCE	yellow	LED is lit: Active force job LED flashes at 2 Hz: Node flash test function (only CPUs with firmware V2.2.0 or higher)
RUN	green	CPU in RUN The LED flashes during STARTUP at a rate of 2 Hz, and in HOLD state at 0.5 Hz.
STOP	yellow	CPU in STOP, or HOLD, or STARTUP The LED flashes at 0.5 Hz when the CPU requests a memory reset, and during the reset at 2 Hz.

### Displays for the X1 and X2 interfaces

Table 2-7 Bus error displays of CPU 31x

CPU	LED designation	Color	Meaning
315-2 DP	BF	red	Bus error at DP interface (X2)
317-2 DP	BF1	red	Bus error at interface 1 (X1)
	BF2	red	Bus error at interface 2 (X1)
31x-2 PN/DP	BF1	red	Bus error at interface 1 (X1)
	BF2	red	Bus error at interface 2 (X1)
	LINK	green	Active communication at interface 2 (X2).
	RX/TX	yellow	Receive / Transmit data at interface 2 (X2)

### Reference

- CPU operating modes: *STEP 7 Online Help*.
- Information on CPU memory reset: *Operating instructions CPU 31xC and CPU31x, Commissioning, Commissioning Modules, CP Memory Reset by means of Mode Selector Switch*
- Evaluation of the LEDs upon error or diagnostic event: *Operating Instructions CPU 31xC and CPU 31x, Test Functions, Diagnostics and Troubleshooting, Diagnostics with the help of Status and Error LEDs*



# Communication

www.DataSheet4U.com

## 3.1 Interfaces

### 3.1.1 Multi-Point Interface (MPI)

#### Availability

All CPUs described in this manual are equipped with an MPI interface X1.

A CPU equipped with an MPI/DP interface is configured and supplied as MPI. To use the DP interface, set DP interface mode in STEP 7.

#### Properties

The MPI (Multi-Point Interface) represents the CPU interface for PG/OP connections, or for communication on an MPI subnet.

The typical (default) transmission rate of all CPUs is 187.5 kbps. You can also set 19.2 kbps for communication with an S7-200. The 315-2 PN/DP and 317 CPUs support transmission rates up to 12 Mbps.

The CPU automatically broadcasts its bus configuration via the MPI interface (the transmission rate, for example). A PG, for example, can thus receive the correct parameters and automatically connect to a MPI subnet.

---

#### Note

You may only connect PGs to an MPI subnet which is in RUN. Other stations (for example, OP, TP, ...) should not be connected to the MPI subnet while the system is in RUN. Otherwise, transferred data might be corrupted as a result of interference, or global data packages may be lost.

---

**Devices capable of MPI communication**

- PG/PC
- OP/TP
- S7-300 / S7-400 with MPI interface
- S7-200 (19.2 kbps only)

**3.1.2 PROFIBUS DP**

**Availability**

CPUs with “DP” name suffix are equipped at least with a DP X2 interface.

The 315-2 PN/DP and 317 CPUs are equipped with an MPI/DP X1 interface. A CPU with MPI/DP interface is supplied with a default MPI configuration. You need to set DP mode in STEP 7 if you want to use the DP interface.

**Operating modes for CPUs with two DP interfaces**

Table 3-1 Operating modes for CPUs with two DP interfaces

MPI/DP interface (X1)	PROFIBUS DP interface (X2)
<ul style="list-style-type: none"><li>• MPI</li><li>• DP master</li><li>• DP slave <sup>1</sup></li></ul>	<ul style="list-style-type: none"><li>• not configured</li><li>• DP master</li><li>• DP slave <sup>1</sup></li></ul>

<sup>1</sup> simultaneous operation of the DP slave on both interfaces is excluded

**Properties**

The PROFIBUS DP interface is mainly used to connect distributed I/O. PROFIBUS DP allows you to create large subnets, for example.

The PROFIBUS DP interface can be set for operation in master or slave mode, and supports transmission rates up to 12 Mbps.

The CPU broadcasts its bus parameters (transmission rate, for example) via the PROFIBUS DP interface when master mode is set. A PG, for example, can thus receive the correct parameters and automatically connect to a PROFIBUS subnet. In your configuration you can specify to disable bus parameter broadcasting.

**Note****(for DP interface in slave mode only)**

When you disable the Commissioning / Debug mode / Routing check box in the DP interface properties dialog in STEP 7, all user-specific transmission rate settings will be ignored, and the transmission rate of the master is automatically set instead. This disables the routing function at this interface.

---

www.DataSheet4U.com

**Devices capable of PROFIBUS DP communication**

- PG/PC
- OP/TP
- DP slaves
- DP masters
- Actuators/Sensors
- S7-300/S7-400 with PROFIBUS DP interface

**Reference**

Further information on PROFIBUS: <http://www.profibus.com>

**3.1.3 PROFINET (PN)****Availability**

CPUs with a "PtP" name suffix are equipped with a PtP X2 interface. X2.

**Connecting to Industrial Ethernet**

You can use the integrated PROFINET interface of the CPU to establish a connection to Industrial Ethernet.

The integrated PROFINET interface of the CPU can be configured via MPI or PROFINET.

**Requirements**

- CPUs with FW 2.3.0 or higher (for example CPU 315-2 PN/DP)
- STEP 7 V5.3 + Servicepack 1 or higher

### Devices capable of PROFINET (PN) communication

- PROFINET IO components (for example, interface module IM 151-3 PN in an ET 200S)
- S7-300 / S7-400 with PROFINET interface (for example, CPU 317-2 PN/DP or CP 343-1 PN)
- Active network components (a switch, for example)
- PG/PC with network card

### Properties of PROFINET interface X2

Properties	
IEEE standard	802.3
Connector design	RJ45
Transmission speed	Max. 100 Mbps
Media	Twisted Pair Cat5 (100BASE-TX)

---

#### Note

##### Networking PROFINET components

The use of switches, rather than hubs, for networking PROFINET components brings about a substantial improvement in decoupling bus traffic, and improves runtime performance under higher bus load. PROFINET CBA with cyclic PROFINET interconnections requires the use of switches in order to maintain compliance with performance specifications. Full duplex mode at 100 Mbps is mandatory for cyclic PROFINET interconnections.

PROFINET IO also requires the use of switches and 100 Mbps full duplex mode.

---

### Reference

- For information on how to configure the integrated PROFINET interface of the CPU, refer to the *S7-300, CPU 31xC and CPU 31x Installation* operating manual.
- For details on PROFINET, refer to the *PROFINET System Description*
- For detailed information on Ethernet networks, network configuration and network components refer to the *SIMATIC NET Manual: Twisted Pair and Fiber Optic Networks*, available under article ID 8763736 on the Internet URL <http://www.siemens.com/automation/service&support>
- *Tutorial: Commissioning Component-Based Automation Systems*, article ID 14142554
- Further information on PROFINET: <http://www.profinet.com>

### See also

PROFINET IO System (Page 3-19)



### 3.1.4 Point to Point (PtP)

#### Availability

CPUs with a "PtP" name suffix are equipped with a PtP X2 interface.

#### Properties

Using the PtP interface of your CPU, you can connect external devices with serial interface. You can operate such a system at transmission rates up to 19.2 kbps in full duplex mode (RS 422), and up to 38.4 kbps in half duplex mode (RS 485).

#### Transmission rate

- Half duplex: 38.4 kbps
- Full duplex: 19.2 kbps

#### Drivers

PtP communication drivers installed in those CPUs:

- ASCII drivers
- 3964(R) Protocol
- RK 512 (CPU 314C-2 PtP only)

#### Devices capable of PtP communication

Devices equipped with a serial port, for example, barcode readers, printers, etc.

#### Reference

*CPU 31xC: Technological functions manual*

## 3.2 Communication services

### 3.2.1 Overview of communication services

#### Selecting the communication service

You need to decide on a communication service, based on functionality requirements. Your choice of communication service will have no effect on:

- the functionality available,
- whether an S7 connection is required or not, and
- the time of connecting.

The user interface can vary considerably (SFC, SFB, ...), and is also determined by the hardware used (SIMATIC CPU, PC, ...).

#### Overview of communication services

The table below provides an overview of communication services offered by the CPUs.

Table 3-2 Communication services of the CPUs

Communication service	Functionality	Time at which the S7 connection is established ...	via MPI	via DP	via PtP	via PN
PG communication	Commissioning, test, diagnostics	From the PG, starting when the service is being used	X	X	–	X
OP communication	Monitor and modify	via OP at POWER ON	X	X	–	X
S7 basic communication	Data exchange	is programmed at the blocks (SFC parameters)	X	–	–	–
S7 communication	Data exchange in server and client mode: Configuration of communication required.	via active partner at POWER ON.	Only in server mode	Only in server mode	–	X
Global data communication	Cyclic data exchange (for example, flag bits)	does not require an S7 connection	X	–	–	–
Routing PG functions (only for CPUs with DP or PN interface)	for example testing, diagnostics on other networks also	from the PG, starting when the service is being used	X	X	–	X
PtP communication	Data exchange via serial interface	does not require an S7 connection	–	–	X	–
SNMP (Simple Network Management Protocol)	Standard protocol for network diagnostics and configuration	does not require an S7 connection	–	–	–	X
open communication by means of TCP/IP	Data exchange via Industrial Ethernet with TCP/IP protocol (by means of loadable FBs)	Does not require an S7 connection, is handled in the user program by means of loadable FBs	–	–	–	X

## See also

Distribution and availability of S7 connection resources (Page 3-29)  
Connection resources for routing (Page 3-31)

## 3.2.2 PG communication

### Properties

PG communication is used to exchange data between engineering stations (PG, PC, for example) and SIMATIC modules which are capable of communication. This service is available for MPI, PROFIBUS and Industrial Ethernet subnets. Transition between subnets is also supported.

PG communication provides the functions needed to download / upload programs and configuration data, to run tests and to evaluate diagnostic information. These functions are integrated in the operating system of SIMATIC S7 modules.

A CPU can maintain several simultaneous online connections to one or multiple PGs.

## 3.2.3 OP communication

### Properties

OP communication is used to exchange data between operator stations (OP, TP, for example) and SIMATIC modules which are capable of communication. This service is available for MPI, PROFIBUS and Industrial Ethernet subnets.

OP communication provides functions you require for monitoring and modifying. These functions are integrated in the operating system of SIMATIC S7 modules. A CPU can maintain several simultaneous connections to one or several OPs.

## 3.2.4 Data exchanged by means of S7 basic communication

### Properties

S7-based communication is used to exchange data between S7 CPUs and the communication-capable SIMATIC modules within an S7 station (acknowledged data exchange). Data are exchanged across non-configured S7 connections. The service is available via MPI subnet, or within the station to function modules (FM).

S7-based communication provides the functions you require for data exchange. These functions are integrated into the CPU operating system. The user can utilize this service by means of "System function" (SFC) user interface.

**Reference**

- Details on SFCs are found in the *Instruction list*, for more details refer to the *STEP 7 Online Help* or to the *System and Standard Functions Reference Manual*.
- For further information on communication, refer to the *Communication with SIMATIC* manual.

**3.2.5 S7 communication**

www.DataSheet4U.com

**Properties**

A CPU can always operate in server or client mode in S7 communication: We distinguish between

- communication with unilateral configuration (for PUT/GET only)
- communication with bilateral configuration (for USEND, URCV, BSEND, BRCV, PUT, GET)

However, the functionality depends on the CPU. A CP is therefore required in certain situations.

Table 3-3 Client and server in S7 communication, using connections with unilateral / bilateral configuration

CPU	Use in server mode for connections with unilateral configuration	Use in server mode for connections with bilateral configuration	Use as client
31xC >= V1.0.0	Always possible at the MPI/DP interface, without programming the user interface	Only possible with CP and loadable FBs.	Only possible with CP and loadable FBs.
31x >= V2.0.0	Always possible at the MPI/DP interface, without programming the user interface	Only possible with CP and loadable FBs.	Only possible with CP and loadable FBs.
31x >= V2.2.0	Always possible at the MPI/DP interface, without programming the user interface	<ul style="list-style-type: none"> <li>• Possible at PN interface with loadable FBs, or</li> <li>• with CP and loadable FBs.</li> </ul>	<ul style="list-style-type: none"> <li>• Possible at PN interface with loadable FBs, or</li> <li>• with CP and loadable FBs.</li> </ul>

The user interface is implemented using standard function modules (FBs) from the standard library of STEP 7, under communication blocks.

**Reference**

For further information on communication, refer to the *Communication with SIMATIC* manual.

## 3.2.6 Global data communication (MPI only)

### Properties

Global data communication is used for cyclic exchange of global data via MPI subnets (for example, I, Q, M) between SIMATIC S7 CPUs (data exchange without acknowledgement). One CPU broadcasts its data to all other DP CPUs on the MPI subnet. This function is integrated in the CPU operating system.

www.DataSheet4U.com

### Reduction ratio

The reduction ratio specifies the cyclic intervals for GD communication. You can set the reduction ratio when you configure global data communication in STEP 7. For example, if you set a reduction ratio of 7, global data are transferred only with every 7th cycle. This reduces CPU load.

### Send and receive conditions

Conditions which should be satisfied for GD communication:

- For the transmitter of a GD packet:  
 $\text{Reduction ratio}_{\text{transmitter}} \times \text{cycle time}_{\text{transmitter}} \geq 60 \text{ ms}$
- For the receiver of a GD packet:  
 $\text{Reduction ratio}_{\text{receiver}} \times \text{cycle time}_{\text{receiver}}$   
 $< \text{reduction ratio}_{\text{transmitter}} \times \text{cycle time}_{\text{transmitter}}$

A GD packet may be lost if you do not adhere to these conditions. The reasons being:

- the performance of the "smallest" CPU in the GD circuit
- asynchronous transmitting / receiving of global data at the stations

When setting in STEP 7: "Transmit after each CPU cycle", and the CPU has a short scan cycle time ( $< 60 \text{ ms}$ ), the operating system might overwrite a GD packet of the CPU before it is transmitted. The loss of global data is indicated in the status box of a GD circuit, if you set this function in your STEP 7 configuration.

**GD resources of the CPUs**

Table 3-4 GD resources of the CPUs

Parameters	CPU 31xC, 312, 314	CPU 315-2 DP, 315-2 PN/DP, 317
Number of GD circuits per CPU	Max. 4	Max. 8
GD packets transmitted per GD circuit	Max. 1	Max. 1
GD packets transmitted by all GD circuits	Max. 4	Max. 8
GD packets received per GD circuit	Max. 1	Max. 1
GD packets received by all GD circuits	Max. 4	Max. 8
Data length per GD packet	max. 22 bytes	max. 22 bytes
Consistency	max. 22 bytes	max. 22 bytes
Min. reduction ratio (default)	1 (8)	1 (8)

www.DataSheet4U.com

**3.2.7 Routing**

**Properties**

STEP 7 V5.1 + SP4 or higher allows you to access your S7 stations on all subnets with your PG/PC, for example, to

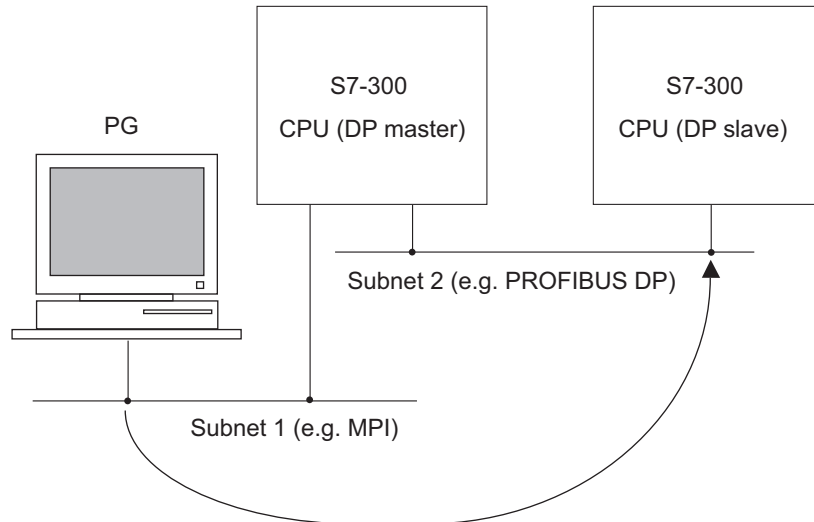
- download user programs
- download a hardware configuration, or
- perform debugging and diagnostic functions.

**Note**

When the CPU is used as intelligent slave, the routing function is only available when the DP interface is set active. IN STEP 7, set the Test, Commission Routing check box on the properties dialog of the DP interface. For detailed information, refer to the *Programming with STEP 7* manual, or directly to the *STEP 7 Online Help*

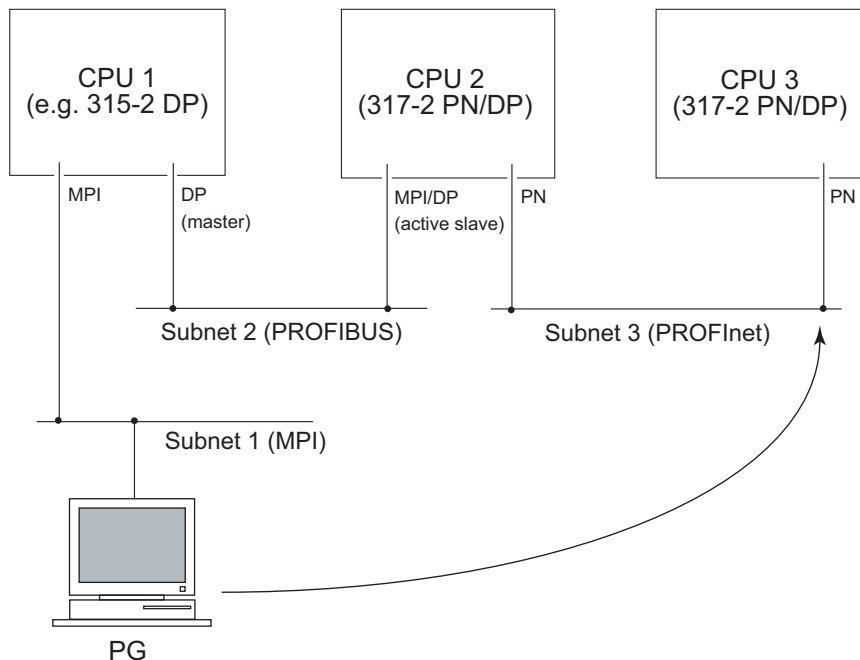
### Routing network nodes: MPI - DP

Gateways between subnets are routed in a SIMATIC station that is equipped with interfaces to the respective subnets. The figure below shows CPU 1 (DP master) acting as router for subnets 1 and 2.



The figure below shows the access to an Ethernet subnet. CPU 1 (315-2 DP, for example) is the router for subnet 1 and 2; CPU 2 is the router for subnet 2 and 3.

**Routing network nodes: MPI – DP - Ethernet**



**Number of routed connections**

The CPUs with DP interface provide a different number of connections for the routing function:

Table 3-5 Number of routing connections for DP CPUs

CPU	As of firmware version	Number of connections for routing
31xC, CPU 31x	2.0.0	Max. 4
317-2 DP	2.1.0	Max. 8
31x-2 PN/DP	2.2.0	Interface X1 configured as: <ul style="list-style-type: none"> <li>• MPI: Max. 10</li> <li>• DP master Max. 24</li> <li>• DP slave (active): Max. 14</li> </ul> Interface X2 configured as: <ul style="list-style-type: none"> <li>• PROFINET Max. 24</li> </ul>



## Requirements

- The station modules are "capable of routing" (CPUs or CPs).
- The network configuration does not exceed project limits.
- The modules have loaded the configuration data containing the latest "knowledge" of the entire network configuration of the project.

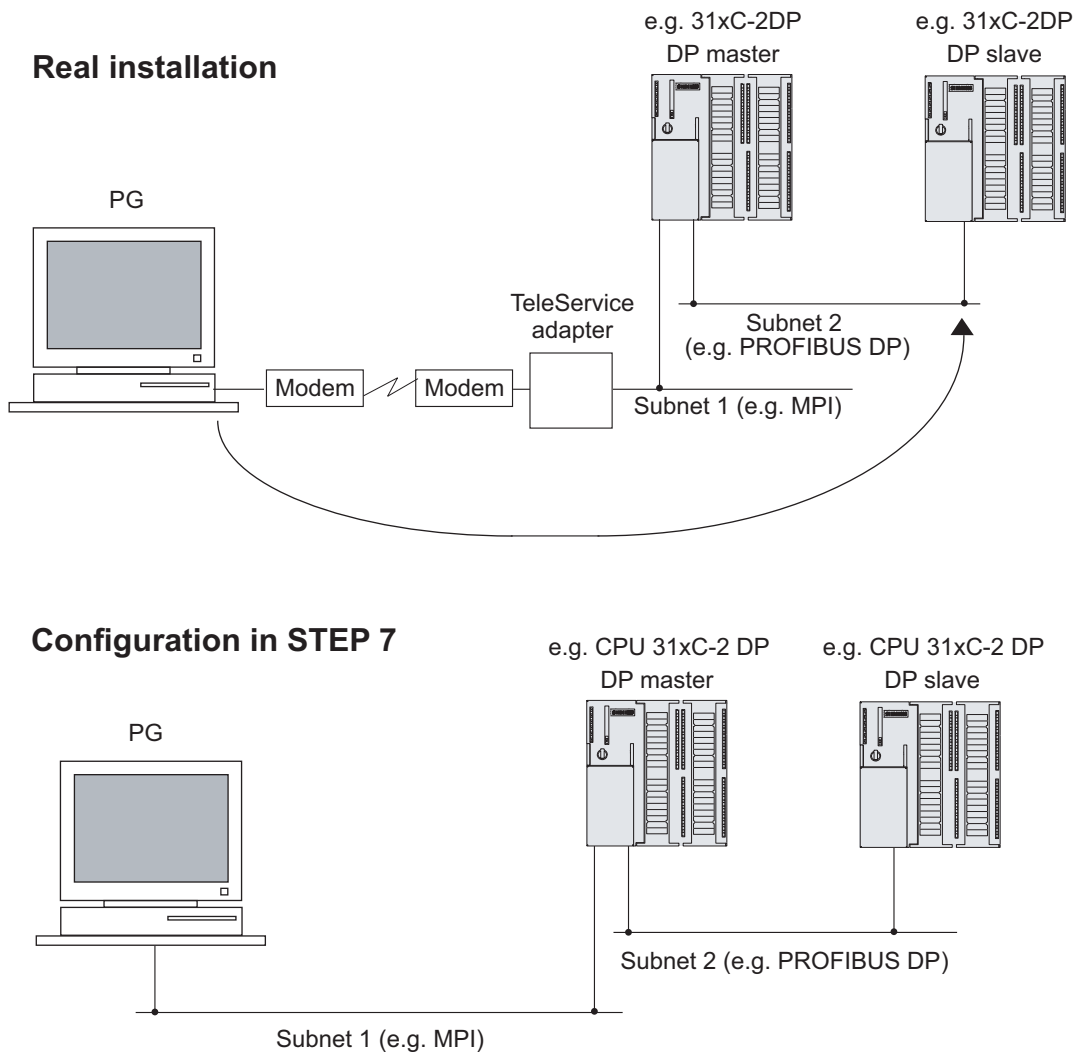
Reason: All modules participating in the network transition must receive the routing information defining the paths to other subnets.

- In your network configuration, the PG/PC you want to use to establish a connection via network node must be assigned to the network it is physically connected to.
- The CPU must set to master mode, or
- when set to operate in slave mode, the Test, Commissioning, Routing functionality must be enabled by setting the check box in STEP 7, in the DP interface for DP slave properties dialog box.

### Routing: Example of a TeleService application

The figure below shows the example of an application for remote maintenance of an S7 station using a PG. The connection to other subnets is here established via modem connection.

The lower section of the figure shows how to configure this in STEP 7.



## Reference

- on configuring in STEP 7 is found in the *Configuring Hardware and Connections in STEP 7* manual
- of a basic nature is contained in the *Communication with SIMATIC* Manual.
- on the TeleService adapter can be found on the Internet URL:  
<http://www.ad.siemens.de/support>. In the Manual Search section, you can enter the search term A5E00078070 to download the documentation.
- on SFCs are found in the *Instruction list*, for more details refer to the *STEP 7 Online Help* or to the *System and Standard Functions* Reference Manual.
- on communication are found in the *Communication with SIMATIC* Manual.

www.DataSheet4U.com

### 3.2.8 PtP communication

#### Properties

PtP communication enables you to exchange data via serial port. PtP communication can be used to interconnect automation devices, computers or communication-capable systems of external suppliers. The function also allows adaptation to the protocol of the communication partner.

#### Reference

##### Further Information

- on SFCs are found in the *Instruction list*.  
For detailed information, refer to the *STEP 7 Online Help*, or to the *System and Standard Functions* Reference Manual.
- on communication are found in the *Communication with SIMATIC* Manual.

### 3.2.9 Data consistency

#### Properties

A data area is considered consistent, if the operating system can read/write access the data area in a continuous block. Data exchanged collectively between the stations should belong together and originate from a single processing cycle, that is, be consistent. If the user program contains a programmed communication function, for example, access to shared data with X-SEND/ X-RCV, access to that data area can be coordinated by means of the "BUSY" parameter itself.

www.DataSheet4U.com

#### With PUT/GET functions

For S7 communication functions, such as PUT/GET or write / read via OP communication, which do not require a block in the user program on the CPU (operating in server mode), allowances must be made in the program for the extent of the data consistency. The PUT/GET functions for S7 communication, or for reading/writing variables via OP communication, are executed at the CPU's scan cycle checkpoint. In order to ensure a defined process interrupt reaction time, the communication variables are copied in consistent blocks with a maximum length of 64 bytes (CPU 317: 160 bytes) to / from work memory at the scan cycle checkpoint of the operating system. Data consistency is not guaranteed for larger data areas.

---

#### Note

Where defined data consistency is required, the length of communication variables in the CPU's user program may not exceed 64 bytes (CPU 317: 160 bytes.)

---

### 3.2.10 Communication via PROFINET (only CPU 31x-2 PN/DP)

#### What is PROFINET??

Within the framework of Totally Integrated Automation (TIA), PROFINET represents a consequent enhancement of:

- PROFIBUS DP, the proven field bus, and
- Industrial Ethernet, the communication bus at cell level.

Experience gained from both systems was and is being integrated into PROFINET.

PROFINET is an Ethernet-based automation standard of PROFIBUS International (previously PROFIBUS Users Organization e.V.), and defines a multi-vendor communication, automation, and engineering model.

## Objectives in PROFINET

The objectives in PROFINET are:

- An open Ethernet standard for automation based on Industrial Ethernet  
Industrial Ethernet and standard Ethernet components can be used together, however, Industrial Ethernet devices are more reliable, and are therefore more suitable for industrial environments (temperature, immunity to noise etc.)
- Use of TCP/IP and IT standards
- Automation with real-time Ethernet
- Total integration of field bus systems

www.DataSheet4U.com

## Implementation of PROFINET by us

We have integrated PROFINET as follows:

- We have chosen **PROFINET IO** for integrated communication between field devices.
- We integrated communication between PLCs of distributed systems with **PROFINET CBA** (Component-Based automation.)
- Installation engineering and network components are available in SIMATIC NET.
- For remote maintenance and network diagnostics, we used the proven IT standards from the office world (for example, SNMP = Simple Network Management Protocol for network configuration and diagnostics).

## Documentation of PROFIBUS International on the Internet

On the Internet at "[www.profibus.com](http://www.profibus.com)" of PROFIBUS International (previously PROFIBUS User Organization, PUO) you can find numerous articles relating to PROFINET.

For further information, refer to the Internet URL "[www.siemens.com/profinet](http://www.siemens.com/profinet)".

## What is PROFINET IO?

Within the framework of PROFINET, PROFINET IO is a communication concept for the implementation of modular, distributed applications.

PROFINET IO allows you to create automation solutions, which are familiar to you from PROFIBUS.

That is, you have the same application view in STEP 7, regardless of whether you configure PROFINET or PROFIBUS devices.

## What is PROFINET CBA (Component based Automation)?

Within the framework of PROFINET, PROFINET CBA is an automation concept for the implementation of applications with distributed intelligence.

PROFINET CBA lets you create distributed automation solutions, based on default components and partial solutions.

Component-Based Automation allows you to use complete technological modules as standardized components in complex systems.

The components are also created in an engineering tool which may differ from vendor to vendor. Components of SIMATIC devices are created, for example, with STEP 7.

### Extent of PROFINET CBA and PROFINET IO

PROFINET IO and CBA represent two different views of automation devices on Industrial Ethernet.

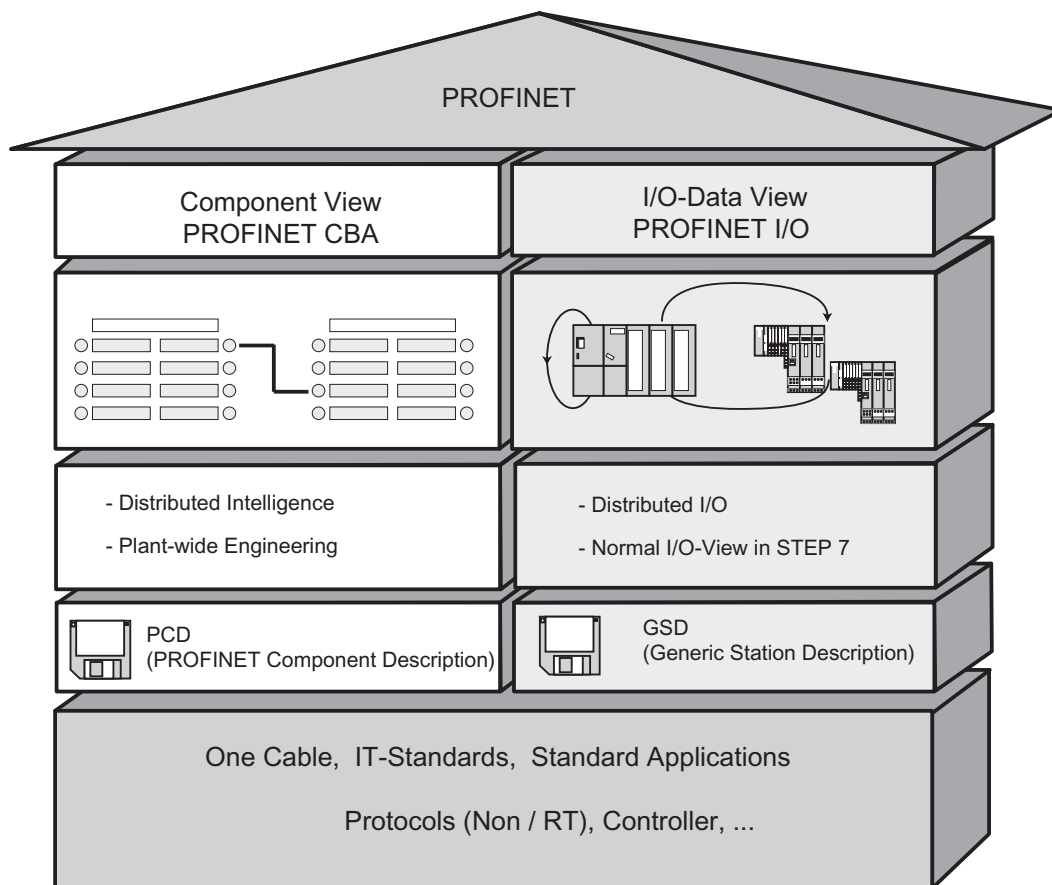


Figure 3-1 Extent of PROFINET IO and Component-Based Automation

Component-Based Automation organizes the system structure based on the various functions. These functions are configured and programmed.

PROFINET IO provides you with a view of the system that is very similar to the view obtained in PROFIBUS. You continue to configure and program the individual automation devices.

### Further Information

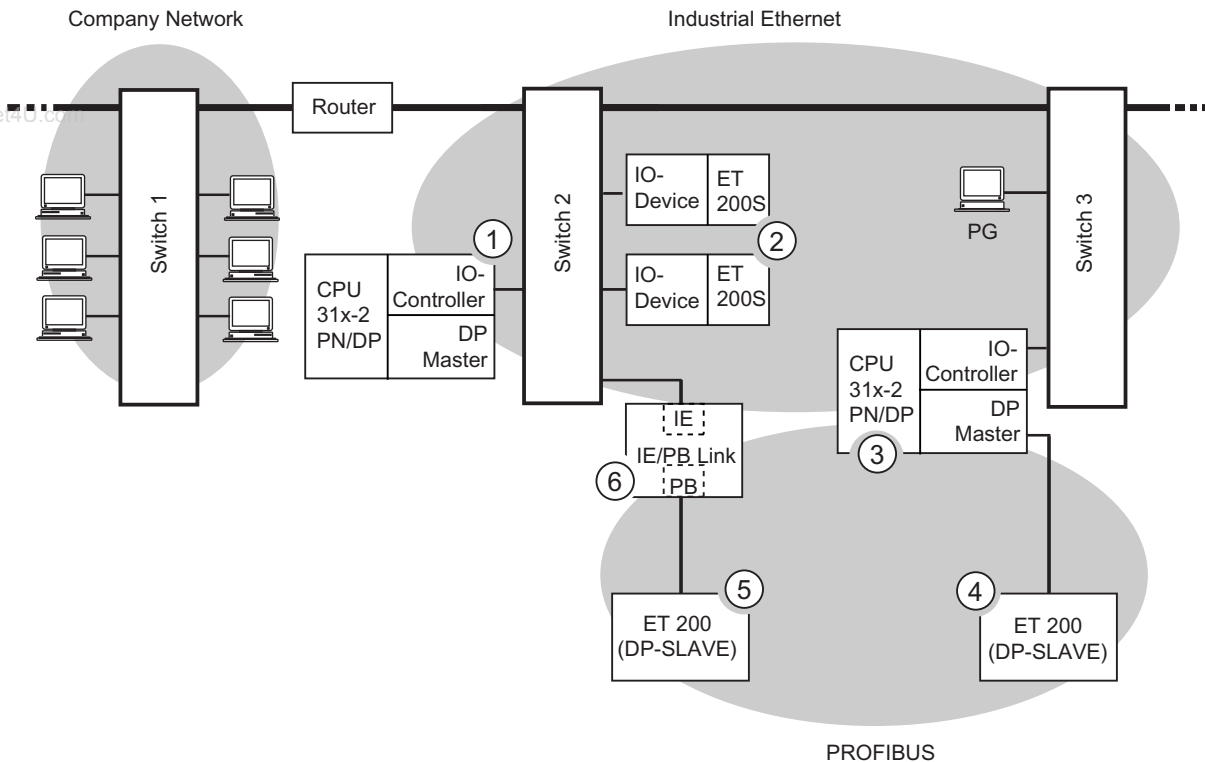
For further information on PROFINET IO and PROFINET CBA, refer to the *PROFINET System Description*. Differences between PROFIBUS DP and PROFINET IO and their common features are described in the *From PROFIBUS DP to PROFINET IO Programming Manual*.

For detailed information on PROFINET CBA, refer to the SIMATIC IMAP and Component-Based Automation documentation.

### 3.2.10.1 PROFINET IO System

#### Extended Functions of PROFINET IO

The following graphic shows the new functions of PROFINET IO



The graphic displays	You can see the connection path in the graphic
The connection of company network and field level	From PCs in your company network, you can access devices at the field level Example: <ul style="list-style-type: none"> <li>PC — Switch 1 — Router — Switch 2 — CPU 31x-2 PN/DP (1).</li> </ul>
The connection between the automation system and field level	You can, of course, also access other areas in Industrial Ethernet from a PG at the field level. Example: <ul style="list-style-type: none"> <li>PG — Switch 3 — Switch 2 — to an IO device of the ET 200S (2).</li> </ul>
The IO controller of the CPU 31x-2 PN/DP (1) controls devices on Industrial Ethernet and on PROFIBUS <b>directly</b>	At this point, you see the extended IO feature between the IO controller and IO device(s) on Industrial Ethernet: <ul style="list-style-type: none"> <li>The CPU 31x-2 PN/DP (1) is the IO controller for one of the ET 200S (2) IO devices.</li> <li>The CPU 31x-2 PN/DP (1) is also the IO controller for the ET 200 (DP slave) (5) via the IE/PB Link (6).</li> </ul>
A CPU can be both IO controller and DP master	Here, you can see that a CPU can be both IO controller for an IO device as well as DP master for a DP slave: <ul style="list-style-type: none"> <li>The CPU 31x-2 PN/DP (3) is the IO controller for the other ET 200S (2) IO device. CPU 31x-2 PN/DP (3) — Switch 3 — Switch 2 — ET 200S (2)</li> <li>The CPU 31x-2 PN/DP (3) is the DP master for a DP slave (4). The DP slave (4) is assigned locally to the CPU (3) and is not visible on Industrial Ethernet.</li> </ul>

### Requirements

- CPUs as of Firmware 2.3.0 (for example CPU 315-2 PN/DP)
- STEP 7, as of Version 5.3 + Service Pack 1

### Reference

You will find information on the topic of PROFINET in the following sources:

- in the *System Description PROFINET*
- in the *From PROFIBUS DP to PROFINET IO* programming manual. This manual also lists the new PROFINET blocks and system status lists.

www.DataSheet4U.com

### See also

PROFINET (PN) (Page 3-3)

### 3.2.10.2 Blocks in PROFINET IO

#### Chapter Content

This chapter explains the following:

- Which blocks are intended for PROFINET
- Which blocks are intended for PROFIBUS DP
- Which blocks are intended for both PROFINET IO and PROFIBUS DP

#### Compatibility of the New Blocks

For PROFINET IO, it was necessary to create some new blocks, among other things, because larger configurations are now possible with PROFINET. You can also use these new blocks with PROFIBUS.



### Comparison of the System and Standard Functions of PROFINET IO and PROFIBUS DP

For CPUs with an integrated PROFINET interface, the table below provides you with an overview of:

- System and standard functions for SIMATIC that you may need to replace when converting from PROFIBUS DP to PROFINET IO.
- New system and standard functions

Table 3-6 New System Standard Functions of PROFINET IO and PROFIBUS DP and Those That Must Be Replaced

Blocks	PROFINET IO	PROFIBUS DP
SFC13 (read diagnostic data of a DP slave)	No Substitute: • event-related: SFB 54 • state-related: SFB 52	Yes
SFC58/59 (write/read data record in I/O)	No (replacement: SFB53/52)	yes (but should already have been replaced by SFB53/52 in DPV1)
SFB52/53 (read/write data record)	Yes	Yes
SFB54 (evaluate alarm)	Yes	Yes
SFC102 (read predefined parameters)	No (replacement: SFB81)	Yes
<b>new:</b> SFB81 (read predefined parameters)	Yes	Yes
SFC5 (query start address of a module)	No (replacement: SFC70)	Yes
<b>new:</b> SFC70 (query start address of a module)	Yes	Yes
SFC49 (query the slot belonging to a logical address)	No (replacement: SFC71)	Yes
<b>new:</b> SFC71 (query the slot belonging to a logical address)	Yes	Yes

The following table provides you with an overview of the system and standard functions for SIMATIC, whose functionality must be implemented by other functions when converting from PROFIBUS DP to PROFINET IO.

Table 3-7 System and Standard Functions in PROFIBUS DP that must be Implemented with Different Functions in PROFINET IO

Blocks	PROFINET IO	PROFIBUS DP
SFC55 (write dynamic parameters)	No (implement with SFB53)	Yes
SFC56 (write predefined parameters)	No (implement with SFB81 and SFB53)	Yes
SFC57 (assign parameters to module)	No (implement with SFB81 and SFB53)	Yes

You cannot use the following SIMATIC system and standard functions with PROFINET IO:

- SFC7 (trigger hardware interrupt on DP master)
- SFC11 (synchronize groups of DP slaves)
- SFC12 (deactivate and activate DP slaves)
- SFC72 (read data from a communication partner within local S7 station)
- SFC73 (write data to a communication partner within local S7 station)
- SFC74 (abort an existing connection to a communication partner within local S7 station)

### Comparison of the Organization Blocks of PROFINET IO and PROFIBUS DP

Here, there are changes in OBs 83 and 86 as shown in the table below.

Table 3-8 OBs in PROFINET IO and PROFIBUS DP

Blocks	PROFINET IO	PROFIBUS DP
OB83 (removing and inserting modules and submodules during operation)	Also possible with an S7-300, new error information	With an S7-300 <b>not</b> possible Removing and inserting during operation is reported by slaves added using a GSD file by means of a diagnostic interrupt; in other words OB82. With S7 slaves, OB86 is called due to the station failure.
OB86 (rack failure)	New error information	Unchanged

### Detailed Information

For detailed descriptions of the individual blocks, refer to the manual *System Software for S7-300/400 System and Standard Functions*.

### 3.2.10.3 System status lists (SSLs) in PROFINET IO

#### Chapter Content

This chapter explains the following:

- Which SSLs are intended for PROFINET
- Which SSLs are intended for PROFIBUS DP
- Which SSLs are intended for both PROFINET IO and PROFIBUS DP

www.DataSheet4U.com

#### Compatibility of the new SSLs

For PROFINET IO, it was necessary to create some new SSLs, among other things, because larger configurations are now possible with PROFINET.

You can also use these new SSLs with PROFIBUS.

You can continue to use a known PROFIBUS SSL that is also supported by PROFINET. If you use an SSL in PROFINET that does not support PROFIBUS, an error code is returned in RET\_VAL (8083: Index wrong or not permitted).

#### Comparison of the System Status Lists of PROFINET and PROFIBUS

Table 3-9 Comparison of the System Status Lists of PROFINET and PROFIBUS

SSL-ID	PROFINET IO	PROFIBUS DP	Applicability
W#16#0591	yes (parameter adr1 changed)	Yes	Module status information for the interfaces of a module/submodule
W#16#0A91	yes (parameter adr1 changed)	Yes	Status information of all subsystems and master systems (S7-300 without CPU 318-2 DP)
W#16#0C91	yes (parameter adr1/adr2 and expected/actual type ID changed)	Yes	Module status information of a module/submodule in a central configuration or attached to an integrated DP or PN interface module using the logical address of the module.
W#16#4C91	yes (parameter adr1 changed)	Yes	Not with S7-300 Module status information of a module/submodule attached to an external DP or PN interface module using the start address
W#16#0D91	yes (parameter adr1 changed)	Yes	Module status information of all modules in the specified rack/station
<b>new:</b> W#16#0696	Yes	Yes	Module status information of all submodules of a module using the logical address of the module, not possible for submodule 0
<b>new:</b> W#16#0C96	Yes	Yes	Module status information of a submodule using the logical address of this submodule
W#16#xy92	No (replacement: SSL-ID W#16#0x94)	Yes	Rack/stations status information Replace this SSL with the SSL with the ID W#16#xy94 in PROFIBUS DP as well.
<b>new:</b> W#16#0x94	Yes	Yes	Rack/station status information

## Detailed Information

For detailed descriptions of the individual system status lists, refer to the manual *System Software for S7-300/400 System and Standard Functions*.

### 3.2.10.4 Open communication via Industrial Ethernet

#### Requirements

www.DataSheet4U.com

- CPU 31x-2 PN/DP with firmware version 2.2.0 or higher:
- STEP 7 V5.3 + Servicepack 1 or higher

#### Functionality

CPUs with Firmware V2.3.0 or higher and integrated PROFINET interface support the open communication functionality via Industrial Ethernet (in short: *open IE communication*)

Open IE communication is always handled directly via TCP/IP.

#### How to use open IE communication

To be able to exchange data with other TCP/IP-compatible communication partners by means of the user program, STEP 7 provides four FBs and one UDT for the configuration of your connection:

- FB 63 "TSEND", for sending data
- FB 64 "TRCV", for receiving data
- FB 65 "TCON", for connecting
- FB 66 "TDISCON", for disconnecting
- UDT 65 "TCON\_PAR" contains the data structure for the configuration of your connection.

#### Data block for the configuration of the connection

TCP/IP communication is connection-oriented. Data can only be transferred when a connection to the communication partner is established. The CPU supports multiple parallel connections to a communication partner.

To configure your connection, you need to create a DB that contains the data structure of UDT 65 "TCON\_PAR." This data structure contains all parameters you need to establish the connection. You need to create such a data structure for each connection, and you can also organize it in a global DB (for example, ARRAY[1..8] "T\_ADDR\_INFO".)

Connection parameter CONNECT of FB 65 "TCON" reports the address of the corresponding connection description to the user program (for example, P#DBa.DBXb.c byte 64).

## Establishing a connection for communication

FB 65 "TCON" establishes communication between the CPU and a communication partner. You can establish up to eight connections. The CPU automatically monitors and holds the active connection.

Communication partner A must initiate the connection. When the connection of communication partner A is active, it transmits a request to connect to communication partner B. Communication partner B waits until it receives the request for a passive connection.

In your connection configuration, you define which communication partner activates the connection, and which communication partners respond to the request with a passive connection.

Both communication partners must have established their connection in order to be able to exchange data.

## Data exchange

Bidirectional data exchange is enabled after you established communication, that is, data can be transmitted and received in parallel. FBs available for data exchange:

Name of the FB	Description
FB 63 "TSEND"	Transmit data
FB 64 "TRCV"	Receive data

You can transmit and receive up to 1460 bytes of user data.

## Disconnecting

FB 66 "TDISCON" disconnects the CPU from a communication partner.

## Communication interruptions

Events causing interruptions of communication:

- You program the cancellation of connections at FB 66 "TDISCON."
- The CPU goes from RUN to STOP.
- At POWER OFF / POWER ON

## Reference

For detailed information on the blocks described earlier, refer to the *STEP 7 Online Help*.

### 3.2.10.5 SNMP communication service

#### Availability

The SNMP communication service is available for CPUs with integrated PROFINET interface and Firmware 2.3.0 or higher.

#### Properties

www.DataSheet4U.com

SNMP (Simple Network Management Protocol) is a standard protocol for TCP/IP networks.

#### Reference

For further information on the SNMP communication service and diagnostics with SNMP, refer to the *PROFINET System Description*.

## 3.3 S7 connections

### 3.3.1 S7 connection as communication path

An S7 connection is established when S7 modules communicate with one another. This S7 connection is the communication path.

---

#### Note

Global data communication, PtP communication, communication with TCP/IP and SNMP do not require S7 connections.

---

Every communication link requires S7 connection resources on the CPU for the entire duration of this connection.

Thus, every S7 CPU provides a specific number of S7 connection resources. These are used by various communication services (PG/OP communication, S7 communication or S7 basic communication).

## Connection points

An S7 connection between modules with communication capability is established between connection points. The S7 connection always has two connection points: The active and passive connection points:

- The active connection point is assigned to the module that establishes the S7 connection.
- The passive connection point is assigned to the module that accepts the S7 connection.

Any module that is capable of communication can thus act as an S7 connection point. At the connection point, the established communication link always uses one S7 connection of the module concerned.

www.DataSheet4U.com

## Transition point

If you use the routing functionality, the S7 connection between two modules capable of communication is established across a number of subnets. These subnets are interconnected via a network transition. The module that implements this network transition is known as a router. The router is thus the point through which an S7 connection passes.

Any CPU with a DP or PN interface can be the router for an S7 connection. You can establish a certain maximum number of routing connections. This does not limit the data volume of the S7 connections.

## See also

Connection resources for routing (Page 3-31)

### 3.3.2 Assignment of S7 connections

There are several ways to allocate S7 connections on a communication-capable module:

- Reservation during configuration
- Allocating connections via programming
- Allocating connections during commissioning, testing and diagnostics routines
- Allocating connection resources to OCMS services

#### Reservation during configuration

One connection resource each is automatically reserved on the CPU for PG and OP communication. Whenever you need more connection resources (for example, when connecting several OPs), configure this increase in the CPU properties dialog box in STEP 7.

Connections must also be configured (using NetPro) for the use of S7 communication. For this purpose, connection resources have to be available, which are not allocated to PG/OP or other connections. The required S7 connections are then permanently allocated for S7 communication when the configuration is uploaded to the CPU.

### Assigning connections in the program

In S7 basic communication, and in open Industrial Ethernet communication with TCP/IP, the user program establishes the connection. The CPU operating system initiates the connection. S7 basic communication uses the corresponding S7 connections. The open IE communication does not use any S7 connections. The maximum number of eight connections also applies to this type of communication.

### Using connections for commissioning, testing and diagnostics

An active online function on the engineering station (PG/PC with STEP 7) occupies S7 connections for PG communication:

- An S7 connection resource for PG communication which was reserved in your CPU hardware configuration is assigned to the engineering station, that is, it only needs to be allocated.
- If all reserved S7 connection resources for PG communication are allocated, the operating system automatically assigns a free S7 connection resource which has not yet been reserved. If no more connection resources are available, the engineering station cannot go online to the CPU.

### Allocating connection resources to OCMS services

An online function of the OCM station (OP/TP/... with *ProTool*) allocates S7 connection resources for OP communication:

- An S7 connection resource for OP communication you have reserved in your CPU hardware configuration is therefore assigned to the OCM station engineering station, that is, it only needs to be allocated.
- If all reserved S7 connection resources for OP communication are allocated, the operating system automatically assigns a free S7 connection resource which has not yet been reserved. If no more connection resources are available, the OCM station cannot go online to the CPU.

### Time sequence for allocation of S7 connection resources

When you program your project in STEP 7, the system generates parameter assignment blocks which are read by the modules in the startup phase. This allows the module's operating system to reserve or allocate the relevant S7 connection resources. That is, for instance, OPs cannot access a reserved S7 connection resource for PG communication. The CPU's S7 connection resources which were not reserved can be used freely. These S7 connection resources are allocated in the order they are requested.

### Example

If there is only one free S7 connection left on the CPU, you can still connect a PG to the bus. The PG can then communicate with the CPU. The S7 connection is only used, however, when the PG is communicating with the CPU. If you connect an OP to the bus while the PG is not communicating, the OP can establish a connection to the CPU. Since an OP maintains its communication link at all times, in contrast to the PG, you cannot subsequently establish another connection via the PG.

### See also

Open communication via Industrial Ethernet (Page 3-24)



### 3.3.3 Distribution and availability of S7 connection resources

#### Distribution of connection resources

Table 3-10 Distribution of connections

<b>Communication service</b>	<b>Distribution</b>
PG communication OP communication S7 basic communication	In order to avoid allocation of connection resources being dependent only on the chronological sequence in which various communication services are requested, connection resources can be reserved for these services. For PG and OP communication respectively, at least one connection resource is reserved by default.  In the table below, and in the technical data of the CPUs, you can find the configurable S7 connection resources and the default configuration for each CPU. You "redistribute" connection resources by setting the relevant CPU parameters in STEP 7.
S7 communication Other communication resources (e.g. via CP 343-1, with a data length of > 240 bytes)	Here you allocate connection resources which are still available and not reserved for a specific service (PG/OP communication, S7-based communication).
Routing PG functions (only for CPUs with DP/PN interface)	The CPUs provide a certain number of connection resources for routing. These connections are available in addition to the connection resources. The subsection below shows the number of connection resources.
Global data communication Point-to-point communication	These communication services do not use connection resources.
Open communication by means of TCP/IP	This communication service does not occupy any connection resources. Eight connections are available in parallel.
SNMP	This communication service does not occupy any connection resources.

**Availability of connection resources**

Table 3-11 Availability of connection resources

CPU	Total number connection resources	Reserved for			Free S7 connections
		PG communication	OP communication	S7 basic communication	
312C	6	1 to 5, default 1	1 to 5, default 1	0 to 2, default 2	Displays all non-reserved S7 connection resources as free connection resources.
313C 313C-2 PtP 313C-2 DP	8	1 to 7, default 1	1 to 7, default 1	0 to 4, default 4	
314C-2 PtP 314C-2 DP	12	1 to 11, default 1	1 to 11, default 1	0 to 8, default 8	
312	6	1 to 5, default 1	1 to 5, default 1	0 to 2, default 2	
314	12	1 to 11, default 1	1 to 11, default 1	0 to 8, default 8	
315-2 DP 315-2 PN/DP	16	1 to 15, default 1	1 to 15, default 1	0 to 12, default 12	
317-2 DP 317-2 PN/DP	32	1 to 31, default 1	1 to 31, default 1	0 to 30, default 0	

**Note**

When using a CPU 315-2 PN/DP, you can configure up to 14 connection resources for S7 communication in NetPro: These connections are then reserved. When using a CPU 317-2 PN/DP, you can configure up to 16 connection resources for S7 communication in NetPro.

### 3.3.4 Connection resources for routing

#### Number of connection resources for routing

The CPUs with DP interface provide a different number of connection resources for the routing function:

Table 3-12 Number of routing connection resources (for DP/PN CPUs)

CPU	As of firmware version	Number of connections for routing
31xC, CPU 31x	2.0.0	Max. 4
317-2 DP	2.1.0	Max. 8
31x-2 PN/DP	2.2.0	Interface X1 configured as: <ul style="list-style-type: none"> <li>• MPI: Max. 10</li> <li>• DP master Max. 24</li> <li>• DP slave (active): Max. 14</li> </ul> Interface X2 configured as: <ul style="list-style-type: none"> <li>• PROFINET: Max. 24</li> </ul>

#### Example of a CPU 314C-2 DP

The CPU 314C-2 DP provides 12 connection resources:

- Reserve two connection resources for PG communication.
- Reserve three connection resources for OP communication.
- Reserve one connection resource for S7-based communication.

This leaves six connection resources available for other communication service, e.g. S7 communication, OP communication, etc.

#### Example for a CPU 317-2 PN/DP

The CPU 317-2 PN/DP provides 32 connection resources:

- Reserve four connection resources for PG communication.
- Reserve six connection resources for OP communication.
- Reserve two connection resources for S7-based communication.
- In NetPro you configure eight S7 connection resources for S7 communication via the integrated PROFINET interface

This leaves 12 S7 connections available for any communication service, e.g. S7 communication, OP communication, etc. However, only a maximum of 16 connection resources can be configured for S7 communication at the integrated PN interface in NetPro. In addition, 24 routing connections are available that do not affect the S7 connection resources mentioned above.

## 3.4 DPV1

New automation and process engineering tasks require the range of functions performed by the existing DP protocol to be extended. In addition to cyclical communication functions, acyclical access to non-S7 field devices is another important requirement of our customers, and was implemented in the standard EN 50170. In the past, acyclical access was only possible with S7 slaves. The distributed I/O standard EN 50170 has been further developed. All the changes concerning new DPV1 functions are included in IEC 61158/ EN 50170, volume 2, PROFIBUS.

www.DataSheet4U.com

### Definition DPV1

The term DPV1 is defined as a functional extension of the acyclical services (to include new interrupts, for example) provided by the DP protocol.

### Availability

All CPUs with DP interface(s) and serving as DP masters feature the enhanced DPV1 functionality.

---

#### Note

If you want to use the CPU as an intelligent slave, remember that it does not have DPV1 functionality.

---

### Requirement for using the DPV1 functionality with DP slaves

For DPV1 slaves from other vendors, you will need a GSD file conforming to EN 50170, revision 3 or later.

### Extended functions of DPV1

- Use of any DPV1 slaves from external vendors (in addition to the existing DPV0 and S7 slaves, of course).
- Selective handling of DPV1-specific interrupt events by new interrupt blocks.
- Reading/writing SFBs that conform to standards to the data record (although this can only be used for centralized modules).
- User-friendly SFB for reading diagnostics.

## Interrupt blocks with DPV1 functionality

Table 3-13 Interrupt blocks with DPV1 functionality

OB	Functionality
OB 40	Process interrupt
OB 55	Status interrupt
OB 56	Update interrupt
OB 57	Vendor-specific interrupt
OB 82	Diagnostic interrupt

### Note

You can now also use organizational blocks OB40 and OB82 for DPV1 interrupts.

## System blocks with DPV1 functionality

Table 3-14 System function blocks with DPV1 functionality

SFB	Functionality
SFB 52	Read data record from DP slave or centralized module
SFB 53	Write data record to DP slave or centralized module
SFB 54	Read additional alarm information from a DP slave or a centralized module in the relevant OB.
SFB 75	Set any interrupts for intelligent slaves

### Note

You can also use SFB 52 to SFB 54 for centralized I/O modules. SFBs 52 to 54 can also be used for PN IO.

## Reference

For further information on the blocks mentioned earlier, refer to the reference manual *System Software for S7-300/400: System and Standard Software*, or directly to the *STEP 7 Online Help*.

## See also

PROFIBUS DP (Page 3-2)



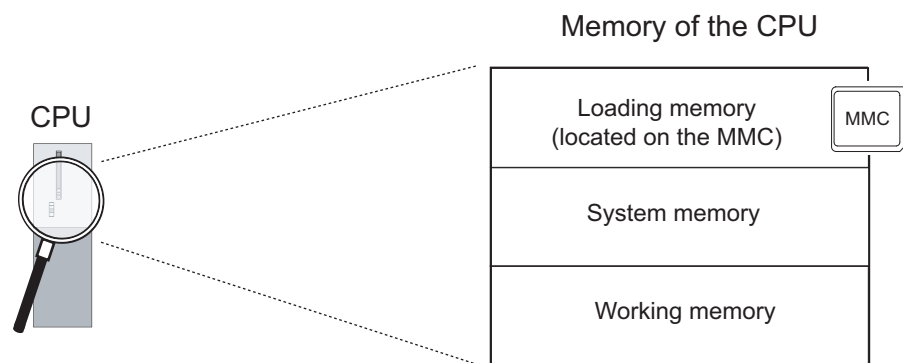
## Memory concept

www.DataSheet4U.com

### 4.1 Memory areas and retentivity

#### 4.1.1 CPU memory areas

The three memory areas of your CPU:



#### Load memory

The load memory is located on a Micro Memory Card (MMC). The size of the load memory corresponds exactly to the size of the MMC. It is used to store code blocks, data blocks and system data (configuration, connections, module parameters, etc.). Blocks that are identified as non runtime-related are stored exclusively in load memory. You can also store all the configuration data for your project on the MMC.

---

#### Note

User programs can only be downloaded and thus the CPU can only be used if the MMC is inserted in the CPU.

---

### System memory

The RAM system memory is integrated in the CPU and cannot be expanded.

It contains

- the address areas for address area memory bits, timers and counters
- the process image of the I/Os
- local data

www.DataSheet4U.com  
**RAM**

The RAM is integrated in the CPU and cannot be extended. It is used to run the code and process user program data. Programs only run in RAM and system memory.

Table 4-1 Retentivity of the RAM

All CPUs except CPU 317	CPU 317
RAM is always retentive.	256 KB of RAM can be used for retentive data modules. The remainder of the RAM can only be used for code blocks and non-retentive data blocks.

### 4.1.2 Retentivity of the load memory, system memory and RAM

Your CPU is equipped with a service-free retentive memory.i.e. its operation does not require a buffer battery. Data is kept in retentive memory across POWER OFF and restart (warm start).

#### Retentive data in load memory

Your program in load memory is always retentive: It is stored on the MMC, where it is protected against power failure or CPU memory reset.

#### Retentive data in system memory

In your configuration (Properties of CPU, Retentivity tab), specify which part of memory bits, timers and counters should be kept retentive and which of them are to be initialized with "0" on restart (warm restart).

The diagnostic buffer, MPI address (and transmission rate) and operating hour counter data are generally written to the retentive memory area on the CPU. Retentivity of the MPI address and baud rate ensures that your CPU can continue to communicate, even after a power loss, memory reset or loss of communication parameters (e.g. due to removal of the MMC or deletion of communication parameters).



### Retentive data in RAM

Therefore, the contents of retentive DBs are always retentive at restart and POWER ON/OFF.

CPUs V2.1.0 or higher also support volatile DBs (the volatile DBs are initialized at restart of POWER OFF-ON with their initial values from load memory.)

### See also

Properties of the Micro Memory Card (MMC) (Page 4-9)

www.DataSheet4U.com

## 4.1.3 Retentivity of memory objects

### Retentive behavior of memory objects

The table below shows the retentive behavior of memory objects during specific operating state transitions.

Table 4-2 Retentive behavior of memory objects (applies to all CPUs with DP/MPI-SS (31x-2 PN/DP))

Memory object	Operating state transition		
	POWER ON / POWER OFF	STOP → RUN	CPU memory reset
User program/data (load memory)	X	X	X
• Retentive behavior of DBs for CPUs with firmware < V2.1.0	X	X	–
• Retentive behavior of DBs for CPUs with firmware ≥ V2.1.0	Can be set in the properties of the DBs in STEP 7 V5.2 + SP1 or higher.		–
Flag bits, timers and counters configured as retentive data	X	X	–
Diagnostics buffers, operating hour counters	X	X	X
MPI address, transmission rate (or also DP address, transmission rate of the MPI/DP interface of CPU 315-2 PN/DP and CPU 317, if these are configured as DP nodes.)	X	X	X

x = retentive; – = not retentive

### Retentive behavior of a DB for CPUs with firmware < V2.1.0

For these CPUs, the contents of the DBs are always retentive at POWER ON/OFF or STOP-RUN.

**Retentive behavior of a DB for CPUs with firmware >= V2.1.0**

For these CPUs you can specify in STEP 7 (beginning with version 5.2 + SP 1), or at SFC 82 CREA\_DBL (parameter ATTRIB -> NON\_RETAIN bit), whether a DB at POWER ON/OFF or RUN-STOP

- keeps the actual values (retentive DB), or
- accepts the initial values from load memory (non-retentive DB)

Table 4-3 Retentive behavior of DBs for CPUs with firmware >= V2.1.0

At POWER ON/OFF or restart (warm start) of the CPU, the DB should	
receive the initial values (non-retentive DB)	retain the actual values (retentive DB)
Background: At POWER ON/OFF and restart (STOP-RUN) of the CPU, the actual values of the DB are non-retentive. The DB receives the start values from load memory.	Background: At POWER OFF/ON and restart (STOP-RUN) of the CPU, the actual values of the DB are retained.
Requirement in STEP 7: <ul style="list-style-type: none"> <li>• The "Non-retain" check box must be set in the block properties of the DB, or</li> <li>• a non-retentive DB was generated with SFC 82 "CREA_DBL" and the corresponding block attribute (ATTRIB -&gt; NON_RETAIN bit.)</li> </ul>	Requirement in STEP 7: <ul style="list-style-type: none"> <li>• The "Non-retain" check box must be reset in the block properties of the DB or</li> <li>• a retentive DB was generated with SFC 82.</li> </ul>

**Note**

Note that only 256 KB of RAM can be used for retentive data blocks on a CPU 317. The remainder of the RAM is used by code blocks and non-retentive data blocks.

#### 4.1.4 Address areas of system memory

System memory of the S7 CPUS is organized in address areas (refer to the table below). In a corresponding operation of your user program, you address data directly in the relevant address area.

#### Address areas of system memory

Table 4-4 Address areas of system memory

Address areas	Description
Process image of inputs	At every start of an OB1 cycle, the CPU reads the values at the input of the input modules and saves them the process image of inputs.
Process image of outputs	During its cycle, the program calculates the values for the outputs and writes these to the process image of outputs. At the end of the OB1 cycle, the CPU writes the calculated output values to the output modules.
Flag bits	This area provides memory for saving the intermediate results of a program calculation.
Timers	Timers are available in this area.
Counters	Counters are available in this area.
Local data	Temporary data in a code block (OB, FB, FC) is saved to this memory area while the block is being edited.
Data blocks	See <i>Recipes and measurement value logs</i>

#### Reference

The address areas of your CPU are listed in the *Instruction list for CPUs 31xC and 31x*.

#### I/O process image

When the user program addresses the input (I) and output (O) address areas, it does not query the signal states of digital signal modules. Instead, it rather accesses a memory area in CPU system memory. This particular memory area is the process image.

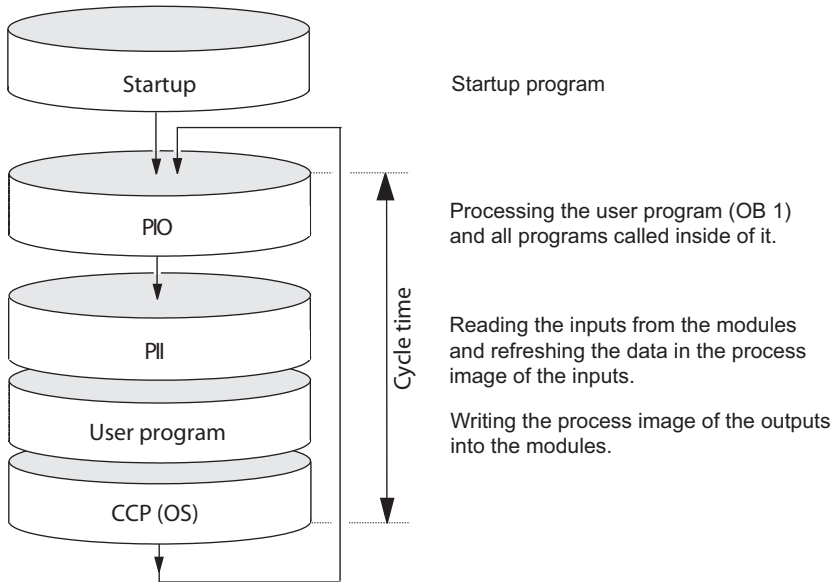
The process image is organized in two sections: The process image of inputs, and the process image of outputs.

#### Advantages of the process image

Process image access, compared to direct I/O access, offers the advantage that a consistent image of process signals is made available to the CPU during cyclic program execution. When the signal status at an input module changes during program execution, the signal status in the process image is maintained until the image is updated in the next cycle. Moreover, since the process image is stored in CPU system memory, access is significantly faster than direct access to the signal modules.

**Process image update**

The operating system updates the process image periodically. The figure below shows the sequence of this operation within a cycle.



www.DataSheet4U.com

### Configurable process image with CPU317 (FW V2.3.0 or higher)

IN STEP 7, you can define a user-specific size of the I/O process images between 0 to 2048 for a CPU317, FW V2.3.0 or higher.

Note the information below:

---

#### **Note**

Currently, the dynamic setting of the process image only affects its update at the scan cycle control point. That is, the process image of inputs is only updated up to the set PII size with the corresponding values of the peripheral input modules existing within this address area, or the values of the process image of outputs up to the set PIO size are written to the peripheral output modules existing within this address area.

This set size of the process image is ignored with respect to STEP 7 commands used to access the process image (for example U I100.0, L EW200, = Q20.0, T AD150, or corresponding indirect addressing commands also). However, up to the maximum size of the process image (that is, up to I/O byte 2047), these commands do not return any synchronous access errors, but rather access the permanently available internal memory area of the process image.

The same applies to the use of actual parameters of block calls from the I/O area (area of the process image).

Particularly if these process image limits were changed, you should check to which extent your user program accesses the process image in the area between the set and the maximum process image size. If access to this area continues, the user program may not detect changes at the inputs of the I/O module, or actually fails to write the data of outputs to the output module, without the system generating an error message.

You should also note that certain CPs may only be addressed outside of the process image.

---

## Local data

Local data store:

- the temporary variables of code blocks
- the start information of the OBs
- transfer parameters
- intermediate results

### Temporary Variables

When you create blocks, you can declare temporary variables (TEMP) which are only available during block execution and then overwritten again. These local data have fixed length in each OB. Local data must be initialized prior to the first read access. Each OB also requires 20 bytes of local data for its start information. Local data access is faster compared to access to data in DBs.

The CPU is equipped with memory for storing temporary variables (local data) of currently executed blocks. The size of this memory area depends on the CPU. It is distributed in partitions of equal size to the priority classes. Each priority class has its own local data area.



---

### Caution

All temporary variables (TEMP) of an OB and its nested blocks are stored in local data. When using complex nesting levels for block processing, you may cause an overflow in the local data area.

The CPUs will change to STOP mode if you exceed the permissible length of local data for a priority class.

Make allowances for local data space required for synchronous error OBs. This is assigned to the respective triggering priority class.

---

## See also

Retentivity of the load memory, system memory and RAM (Page 4-2)

## 4.1.5 Properties of the Micro Memory Card (MMC)

### The MMC as memory module for the CPU

The memory module used on your CPU is a SIMATIC Micro Memory Card (MMC.) You can use MMCs as load memory or as a portable storage medium.

---

**Note**

The CPU requires the MMC for operation.

---

Data stored on the MMC:

- User programs (all blocks)
- Archives and recipes
- Configuration data (STEP 7 projects)
- Data for operating system update and backup

---

**Note**

You can either store user and configuration data or the operating system on the MMC.

---

### Properties of an MMC

The MMC ensures maintenance-free and retentive operation of these CPUs.



---

**Caution**

Data on a SIMATIC Micro Memory Card can be corrupted if you remove the card while it is being accessed by a write operation. In this case, you may have to delete the MMC on your PG, or format the card in the CPU. Never remove an MMC in RUN mode. Always remove it when power is off, or when the CPU is in STOP state, and when the PG is not a writing to the card. When the CPU is in STOP mode and you cannot not determine whether or not a PG is writing to the card (e.g. load/delete block), disconnect the communication lines.

---

### MMC copy protection

Your MMC has an internal serial number that provides copy protection at user level. You can read this serial number from the SSL partial list 011C<sub>H</sub> index 8 using SFC 51 "RDSYSST." You can then program a STOP command, for example, in a copy-protected block if the expected and actual serial numbers of your MCC do not tally.

### Reference

- *SSL partial list in the instruction list, or*
- in the manual *System and Standard Functions*. Information on CPU memory reset: *Operating instructions CPU 31xC and CPU31x, Commissioning, Commissioning Modules, CPU Memory Reset by means of Mode Selector Switch*

### Useful life of an MMC

The useful life of an MMC depends mainly on following criteria:

1. The number of delete or programming operations,
2. External influences such as ambient temperature.

At ambient temperatures up to 60 °C, a maximum of 100,000 delete/write operations can be performed on an MMC.



---

#### Caution

To prevent loss of data, always make sure that you do not exceed the maximum number of delete/write operations.

---

### See also

- Operating and display elements: CPU 31xC (Page 2-1)
- Operating and display elements: CPU 312, 314, 315-2 DP: (Page 2-5)
- Operating and display elements: CPU 317-2 DP (Page 2-7)
- Operating and display elements: CPU 31x-2 PN/DP (Page 2-9)



## 4.2 Memory functions

### 4.2.1 General: Memory functions

#### Memory functions

www.DataSheet4U.com

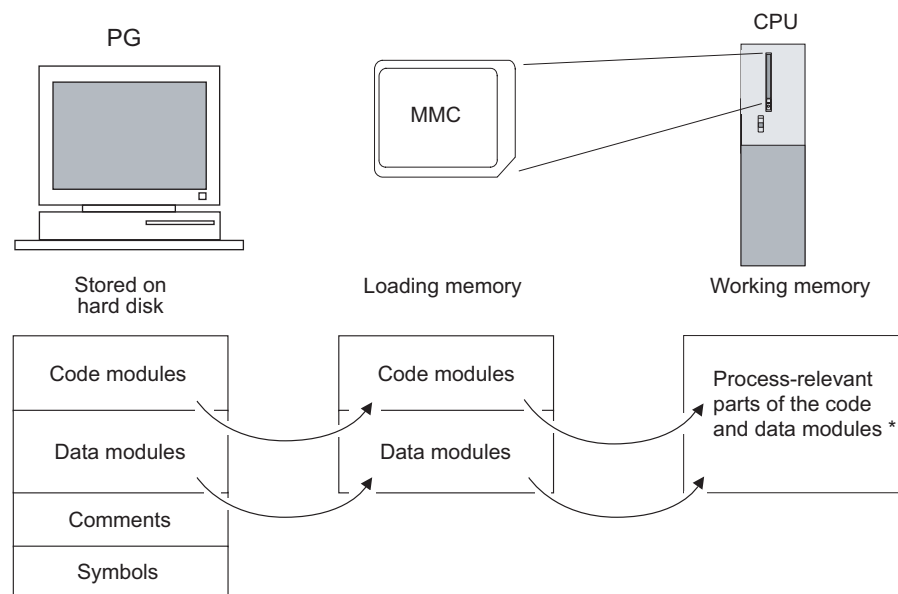
Memory functions are used to generate, modify or delete entire user programs or specific blocks. You can also ensure that your project data are retained by archiving these. If there is... You created a new user program, use a PG/ PC to download the complete program to MMC.

### 4.2.2 Loading user program from Micro Memory Card (MMC) to the CPU

#### User program download

All user program data are downloaded from your PG/PC to the CPU via MMC. The previous content of the MMC is deleted in the process. Blocks use the load memory area as specified under "Load memory requirements" in "General block properties".

The figure shows the load and work memory of the CPU



\* If not all of the work memory area is retentive, its retentive area is indicated in the STEP 7 module status as retentive memory (same as on CPU 317). You cannot run the program until all the blocks are downloaded.

---

**Note**

This function is only permitted when the CPU is in STOP mode. Load memory is cleared if the load operation could not be completed due to power loss or illegal block data.

---

### 4.2.3 Handling with modules

#### 4.2.3.1 Download of new blocks or delta downloads

There are two ways to download additional user blocks or download deltas:

- Download of blocks: You already created a user program and downloaded it to the CPU via MMC. You then want to add new blocks to the user program. In this case, you do not need to reload the entire user program to the MMC. Rather, you can download only the new blocks to the MMC (this reduces download times for highly complex programs).
- Delta download: In this case, you only download the deltas in the blocks of your user program. In the next step, perform a delta download of the user program, or only of changed blocks to the MMC, using the PG/PC.



---

**Warning**

The delta download of blocks / user programs overwrites all data stored under the same name on the MMC.

---

The data of dynamic blocks are transferred to RAM and activated after the block is downloaded.

#### 4.2.3.2 Uploading blocks

##### Uploading blocks

Other than download operations, an upload operation is the transfer of specific blocks or a user program from the CPU to the PG/PC. The block content is here identical with that of the last download to the CPU. Dynamic DBs form the exception, because their actual values are transferred. An upload of blocks or of the user program from the CPU in STEP 7 does not influence CPU memory.

### 4.2.3.3 Deleting blocks

#### Deleting blocks

When you delete a block, it is deleted from load memory. In STEP 7, you can also delete blocks with the user program (DBs also with SFC 23 "DEL\_DB"). RAM used by this block is released.

### 4.2.3.4 Compressing blocks

#### Compressing blocks

When data are compressed, gaps which have developed between memory objects in load memory/RAM as a result of load/delete operations will be eliminated. This releases free memory in a continuous block. Data compression is possible when the CPU is in RUN or in STOP.

### 4.2.3.5 Promming (RAM to ROM)

#### Promming (RAM to ROM)

When writing the RAM content to ROM, the actual values of the DBs are transferred from RAM to load memory to form the start values for the DBs.

---

**Note**

This function is only permitted when the CPU is in STOP mode. Load memory is cleared if the function could not be completed due to power loss.

---

## 4.2.4 CPU memory reset and restart

### CPU memory reset

After the insertion/removal of a Micro Memory Card, a CPU memory reset restores defined conditions for CPU restart (warm start). A CPU memory reset rebuilds the CPU's memory management. Blocks in load memory are retained. All dynamic runtime blocks are transferred once again from load memory to RAM, in particular to initialize the data blocks in RAM (restore initial values).

### Restart (warm start)

- All retentive DBs retain their actual value (non-retentive DBs are also supported by CPUs with Firmware  $\geq$  V2.1.0. Non-retentive DBs receive their initial values).
- The values of all retentive M, C, T are retained.
- All non-retentive user data are initialized:
  - M, C, T, I, O with "0"
- All run levels are initialized.
- The process images are deleted.

www.DataSheet4U.com

### Reference

Also refer to *CPU memory reset by means mode selector switch* in the section *Commissioning* in the *CPU 31xC and CPU 31x Operating Instructions*.

## 4.2.5 Recipes

### Introduction

A recipe represents a collection of user data. You can implement a simple recipe concept using static DBs. In this case, the recipes should have the same structure (length). One DB should exist per recipe.

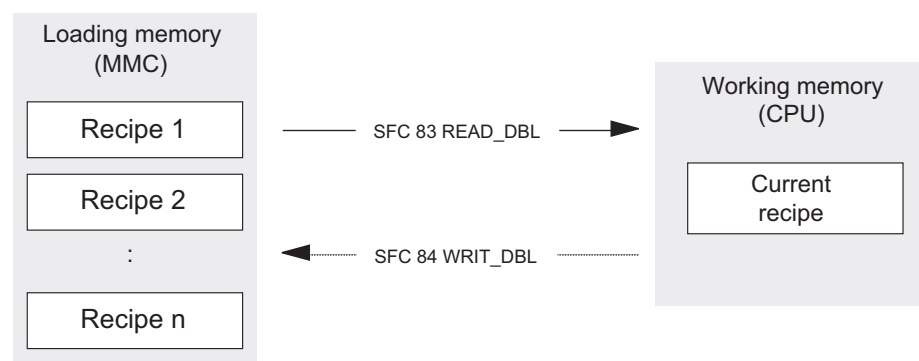
### Processing sequence

#### Recipe is written to load memory:

- The various data records of recipes are created as static DBs in STEP 7 and then downloaded to the CPU. Therefore, recipes only use load memory, rather than RAM.

#### Working with recipe data:

- SFC83 "READ\_DBL" is called in the user program to copy the data record of a current recipe from the DB in load memory to a static DB that is located in work memory. As a result, the RAM only has to accommodate the data of one record. The user program can now access data of the current recipe. The figure below shows how to handle recipe data:



#### Saving a modified recipe:

- The data of new or modified recipe data records generated during program execution can be written to load memory. To do this, call SFC 84 "WRIT\_DBL" in the user program. These data written to load memory are portable and also retentive on memory reset. You can backup modified records (recipes) by uploading and saving these in a single block to the PG/PC.

---

#### Note

Active system functions SFC82 to 84 (active access to the MMC) have a distinct influence on PG functions (for example, block status, variable status, download block, upload, open). This typically reduces performance (compared to passive system functions) by the factor 10.

---

---

**Note**

As a precaution against loss of data, always make sure that you do not exceed the maximum number of delete/write operations. Also refer to the SIMATIC Micro Memory Card (MMC) section in the "Structure and Communication Connections of a CPU" chapter.

---



---

**Caution**

Data on a SIMATIC Micro Memory Card can be corrupted if you remove the card while it is being accessed by a write operation. In this case, you may have to delete the MMC on your PG, or format the card in the CPU. Never remove an MMC in RUN mode. Always remove it when power is off, or when the CPU is in STOP state, and when the PG is not a writing to the card. When the CPU is in STOP mode and you cannot not determine whether or not a PG is writing to the card (e.g. load/delete block), disconnect the communication lines.

---

## 4.2.6 Measured value log files

### Introduction

Measured values are generated when the CPU executes the user program. These values are to be logged and analyzed.

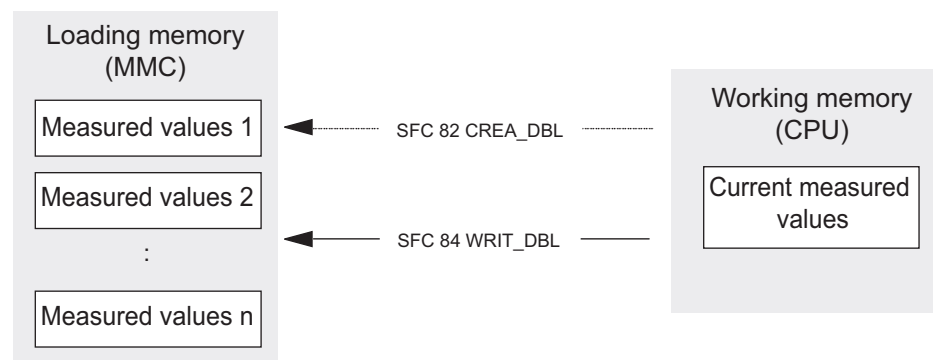
### Processing sequence

#### Acquisition of measured values:

- The CPU writes all measured values to a DB (for alternating backup mode in several DBs) which is located in RAM.

#### Measured value logging:

- Before the data volume can exceed work memory capacity, you should call SFC 84 "WRIT\_DBL" in the user program to swap measured values from the DB to load memory. The figure below shows how to handle measured value log files:



- You can call SFC 82 "CREA\_DBL" in the user program to generate new (additional) static DBs in load memory which do not require RAM space.

### Reference

For detailed information on SFC 82, refer to the *System Software for S7-300/400, System and Standard Functions* Reference Manual, or directly to the STEP 7 Online Help.

#### Note

SFC 82 is terminated and an error message is generated if a DB already exists under the same number in load memory and/or RAM.

The data written to load memory are portable and retentive on CPU memory reset.

**Evaluation of measured values:**

- Measured value DBs saved to load memory can be uploaded and evaluated by other communication partners (PG, PC, for example).

---

**Note**

The active system functions SFC 82 to 84 (current access to the MMC) have a distinct influence on PG functions (block status, variable status, load block, upload, open, for example). This typically reduces performance (compared to passive system functions) by the factor 10.

---

---

**Note**

For CPUs with firmware V2.1.0 or higher, you can also generate non-retentive DBs using SFC 82 (parameter ATTRIB -> NON\_RETAIN bit.)

---

---

**Note**

As a precaution against loss of data, always make sure that you do not exceed the maximum number of delete/write operations. For further information, refer to the Technical Data of the Micro Memory Card (MMC) in the General Technical Data of your CPU.

---



---

**Caution**

Data on a SIMATIC Micro Memory Card can be corrupted if you remove the card while it is being accessed by a write operation. In this case, you may have to delete the MMC on your PG, or format the card in the CPU. Never remove an MMC in RUN mode. Always remove it when power is off, or when the CPU is in STOP state, and when the PG is not a writing to the card. When the CPU is in STOP mode and you cannot not determine whether or not a PG is writing to the card (e.g. load/delete block), disconnect the communication lines.

---



## 4.2.7 Backup of project data to a Micro Memory Card (MMC)

### Function principle

Using the **Save project to Memory Card** and **Fetch project from Memory Card** functions, you can save all project data to a SIMATIC Micro Memory Card, and retrieve these at a later time. For this operation, the SIMATIC Micro Memory Card can be located in a CPU or in the MMC adapter of a PG or PC.

Project data are compressed before they are saved to a SIMATIC Micro Memory Card, and uncompressed when fetched.

---

#### Note

In addition to project data, you may also have to store your user data on the MMC. You should therefore first verify MMC memory space.

A message warns you if the memory capacity on your MMC is insufficient.

---

The volume of project data to be saved corresponds with the size of the project's archive file.

---

#### Note

For technical reasons, you can only transfer the entire contents (user program and project data) using the **Save project to memory card** action.

---



## Cycle and reaction times

www.DataSheet4U.com

### 5.1 Overview

#### Overview

This section contains detailed information about the following topics:

- Cycle time
- Reaction time
- Interrupt response time
- Sample calculations

#### Reference: Cycle time

You can view the cycle time of your user program on the PG. For further information, refer to the *STEP 7 Online Help*, or to the *Configuring Hardware and Connections in STEP 7 Manual*

#### Reference: Execution time

can be found in the *S7-300 Instruction List for CPUs 31xC and 31x*. This tabular list contains the execution times for all

- STEP 7 instructions the relevant CPU can execute,
- the SFCs / SFBs integrated in the CPUs,
- the IEC functions which can be called in STEP 7.

## 5.2 Cycle time

### 5.2.1 Overview

#### Introduction

www.DataSheet4U.com

This section explains what we mean by the term "cycle time", what it consists of, and how you can calculate it.

#### Meaning of the term cycle time

The cycle time represents the time that an operating system needs to execute a program, that is, one OB 1 cycle, including all program sections and system activities interrupting this cycle. This time is monitored.

#### Time slice model

Cyclic program processing, and therefore user program execution, is based on time shares. To clarify these processes, let us assume that every time share has a length of precisely 1 ms.

#### Process image

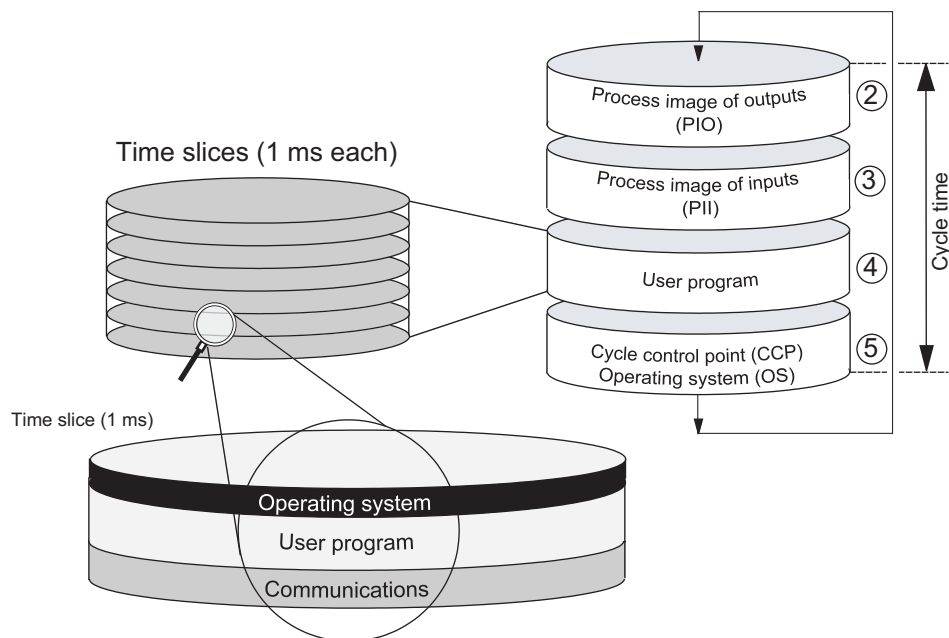
During cyclic program processing, the CPU requires a consistent image of the process signals. To ensure this, the process signals are read/written prior to program execution. Subsequently, the CPU does not address input (I) and output (Q) address areas directly at the signal modules, but rather accesses the system memory area containing the I/O process image.

### Sequence of cyclic program processing

The table and figure below show the phases in cyclic program processing.

Table 5-1 Cyclic program processing

Step	Sequence
1	The operating system initiates cycle time monitoring.
2	The CPU copies the values of the process image of outputs to the output modules.
3	The CPU reads the status at the inputs of the input modules and then updates the process image of inputs.
4	The CPU processes the user program in time shares and executes program instructions.
5	At the end of a cycle, the operating system executes queued tasks, for example, loading and deleting blocks.
6	The CPU then returns to the start of the cycle, and restarts cycle time monitoring.



In contrast to S7-400 CPUs, the S7-300 CPUs data only allow data access from an OP / TP (monitor and modify functions) at the scan cycle check point (Data consistency, see the Technical Data). Processing of the user program is not interrupted by the monitor and modify functions.

### Extending the cycle time

Always make allowances for the extension of the cycle time of a user program due to:

- Time-based interrupt processing
- Process interrupt processing
- Diagnostics and error processing
- Communication with PGs, Operator Panels (OPs) and connected CPs (for example, Ethernet, PROFIBUS DP)
- Testing and commissioning such as, e.g. status/controlling of variables or block status functions.
- Transfer and deletion of blocks, compressing user program memory
- Write/read access to the MMC, using SFC 82 to 84 in the user program
- Ethernet communication via integrated PROFINET interface
- CBA communication via PROFINET interface (system load, SFC call, update at scan cycle check point)
- PROFINET IO communication via PROFINET interface (system load)

## 5.2.2 Calculating the cycle time

### Introduction

The cycle time is derived from the sum of the following influencing factors.

### Process image update

The table below shows the time a CPU requires to update the process image (process image transfer time). The times specified might be prolonged as a result of interrupts or CPU communication. The process image transfer time is calculated as follows:

Table 5-2 Formula for calculating the process image (PI) transfer time

The transfer time of the process image is calculated as follows:	
Base load K	+ number of bytes in PI in module rack 0 x (A) + number of bytes in PO in module rack 1 to 3 x (B) + number of words in PO via DP x (D) + number of words in PO via PROFINET x (P) <b>= Transfer time for the process image</b>

Table 5-3 CPU 31xC: Data for calculating the process image (PI) transfer time

Const.	Portions	CPU 312C	CPU 313C	CPU 313C-2 DP	CPU 313C-2 PtP	CPU 314C-2 DP	CPU 314C-2 PtP
K	Base load	150 µs	100 µs	100 µs		100 µs	
A	per byte in module rack 0	37 µs	35 µs	37 µs		37 µs	
B	per byte in module racks 1 to 3 *	-	43 µs	47 µs		47 µs	
D (DP only)	per WORD in the DP area for the integrated DP interface	-	-	1 µs	-	1 µs	-

5.2 Cycle time

Table 5-4 CPU 31x: Data for calculating the process image (PI) transfer time

Const.	Portions	CPU 312	CPU 314	CPU 315	CPU 317
K	Base load	150 µs	100 µs	100 µs	50 µs
A	per byte in module rack 0	37 µs	35 µs	37 µs	15 µs
B	per byte in module racks 1 to 3 *	-	43 µs	47 µs	25 µs
D (DP only)	per WORD in the DP area for the integrated DP interface	-	-	1 µs	1 µs
P (PROFINET only)	per WORD in the PROFINET area for the integrated PROFINET interface	-	-	46 µs	46 µs

\* + 60 µs per rack

\* + 60 µs per rack

**Extending the user program processing time**

In addition to actually working through the user program, your CPU's operating system also runs a number of processes in parallel such as timer management for the core operating system. These processes extend the processing time of the user program. The table below lists the multiplication factors required to calculate your user program processing time.

Table 5-5 Extending the user program processing time

CPU	Factor
312C	1,06
313C	1,10
313C-2DP	1,10
313C-PtP	1,06
314C-2DP	1,10
314C-2PtP	1,09
312	1,06
314	1,10
315	1,10
317	1,07



### Operating system processing time at the scan cycle checkpoint

The table below shows the operating system processing time at the scan cycle checkpoint of the CPUs. These times are calculated without taking into consideration times for:

- Testing and commissioning routines, e.g. status/controlling of variables or block status functions
- Transfer and deletion of blocks, compressing user program memory
- Communication
- Read/write access to the MMC, using SFC82 to 84

Table 5-6 Operating system processing time at the scan cycle checkpoint

CPU	Cycle control at the scan cycle check point (CCP)
312C	500 µs
313C	500 µs
313C-2	500 µs
314C-2	500 µs
312	500 µs
314	500 µs
315	500 µs
317	150 µs

### Extension of the cycle time as a result of nested interrupts

Enabled interrupts also extend cycle time. Details are found in the table below.

Table 5-7 Extended cycle time due to nested interrupts

Interrupt type	Process interrupt	Diagnostic interrupt	Time-of-day interrupt	Delay interrupt	Watchdog interrupt
312C	700 µs	700 µs	600 µs	400 µs	250 µs
313C	500 µs	600 µs	400 µs	300 µs	150 µs
313C-2	500 µs	600 µs	400 µs	300 µs	150 µs
314C-2	500 µs	600 µs	400 µs	300 µs	150 µs
312	700 µs	700 µs	600 µs	400 µs	250 µs
314	500 µs	600 µs	400 µs	300 µs	150 µs
315	500 µs	600 µs	400 µs	300 µs	150 µs
317	190 µs	240 µs	200 µs	150 µs	90 µs

The program runtime at interrupt level must be added to this time extension.

Extension of the cycle time due to error

Table 5-8 Cycle time extension as a result of errors

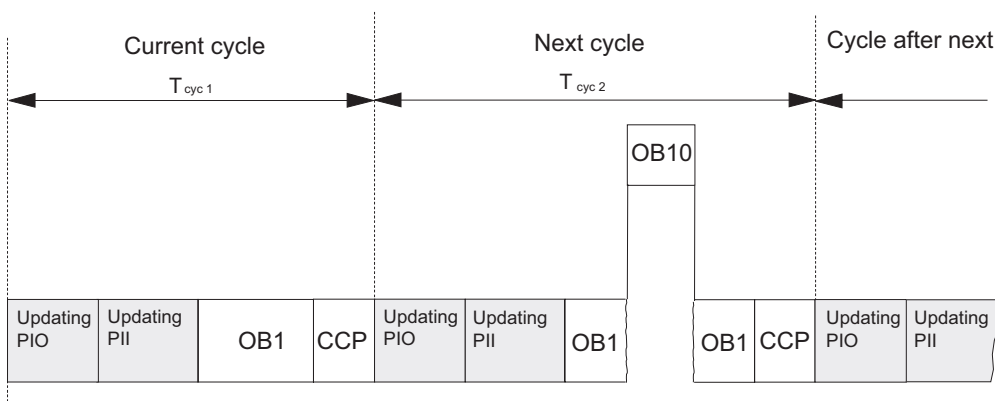
Type of error	Programming errors	I/O access errors
312C	600 μs	600 μs
313C	400 μs	400 μs
313C2	400 μs	400 μs
314C-2	400 μs	400 μs
312	600 μs	600 μs
314	400 μs	400 μs
315	400 μs	400 μs
317	100 μs	100 μs

The interrupt OB processing time must be added to this extended time. The times required for multiple nested interrupt/error OBs are added accordingly.

5.2.3 Different cycle times

Overview

The cycle time ( $T_{cyc}$ ) length is not the same in every cycle. The figure below shows different cycle times  $T_{cyc1}$  and  $T_{cyc2}$ .  $T_{cyc2}$  is longer than  $T_{cyc1}$ , because the cyclically executed OB1 is interrupted by a time-of-day interrupt OB (here: OB 10).



Block processing times may fluctuate

Fluctuation of the block processing time (e.g. OB 1) may also be a factor causing cycle time fluctuation, due to:

- conditional instructions,
- conditional block calls,
- different program paths,
- loops etc.

### Maximum cycle time

In *STEP 7* you can modify the default maximum cycle time. OB80 is called on when this time expires. In this block you can specify the CPU's response to this timeout error. The CPU switches to STOP mode if OB80 does not exist in its memory.

## 5.2.4 Communication load

www.DataSheet4U.com

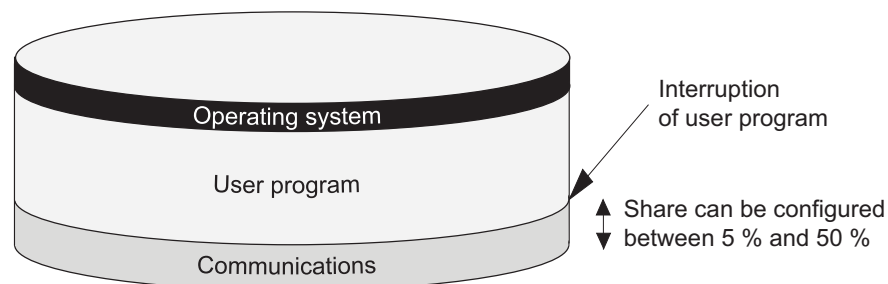
### Configured communication load for PG/OP communication, S7 communication and CBA

The CPU operating system continuously provides a specified percentage of total CPU processing performance (time-sharing technology) for communication tasks. Processing performance not required for communication is made available to other processes. In HW Config, you can specify a communication load value between 5% and 50%. Default value is 20%.

You can use the following formula for calculating the cycle time extension factor:

$$100 / (100 - \text{configured communication load in \%})$$

Time slice (1 ms)



### Example: 20 % communication load

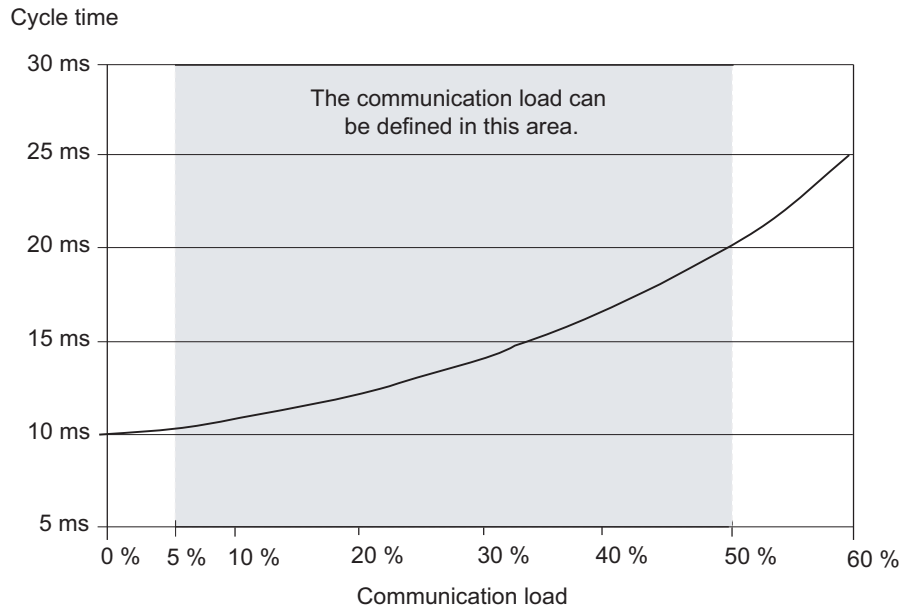
In your hardware configuration, you have specified a communication load of 20%. The calculated cycle time is 10 ms. Using the above formula, the cycle time is extended by the factor 1.25.

### Example: 50 % communication load

In your hardware configuration, you have specified a communication load of 50%. The calculated cycle time is 10 ms. Using the above formula, the cycle time is extended by the factor 2.

### Physical cycle time depending on communication load

The figure below describes the non-linear dependency of the physical cycle time on communication load. In our sample we have chosen a cycle time of 10 ms.



### Influence on the physical cycle time

From the statistical viewpoint, asynchronous events—such as interrupts—occur more frequently within the OB1 cycle when the cycle time is extended as a result of communication load. This further extends the OB1 cycle. This extension depends on the number of events that occur per OB1 cycle and the time required to process these events.

---

#### Note

Change the value of the "communication load" parameter to check the effects on the cycle time at system runtime. You must consider the communication load when you set the maximum cycle time, otherwise timing errors may occur.

---

### Tips

- Use the default setting wherever possible.
- Increase this value only if the CPU is used primarily for communications and if the user program is not time critical.
- In all other situations you should only reduce this value.

## 5.2.5 Cycle time extension as a result of testing and commissioning functions

### Runtimes

The runtimes of the testing and commissioning functions are operating system runtimes, so they are the same for every CPU. Initially, there is no difference between process mode and testing mode. How the cycle time is extended as a result of active testing and commissioning functions is shown in the table below.

Table 5-9 Cycle time extension as a result of testing and commissioning functions

Function	CPU 31xC/ CPU 31x
Status variable	50 µs for each variable
Control variable	50 µs for each variable
Block status	200 µs for each monitored line

### Configuration during parameter assignment

For **process operation**, the maximum permissible cycle load by communication is not specified in "Cycle load by communication", but rather in "Maximum permitted increase of cycle time as a result of testing functions during process operation". Thus, the configured time is monitored absolutely in process mode and data acquisition is stopped if a timeout occurs. This is how STEP 7 stops data requests in loops before a loop ends, for example. When running in **Testing mode**, the complete loop is executed in every cycle. This can significantly increase cycle time.

## 5.2.6 Cycle extension through component-based automation (CBA)

By default, the operating system of your CPU updates the PROFINET interface as well as the DP interconnections at the cycle control point. However, if you deactivated these automatic updates during configuration (e.g. to obtain improved capabilities of influencing the time behavior of the CPU), you must perform the update manually. This is done by calling SFCs 112 to 114 at the appropriate times.

### Reference

Information about SFC 112 to 114 is available in the *STEP 7 Online Help*.

### Extending the OB1 cycle time

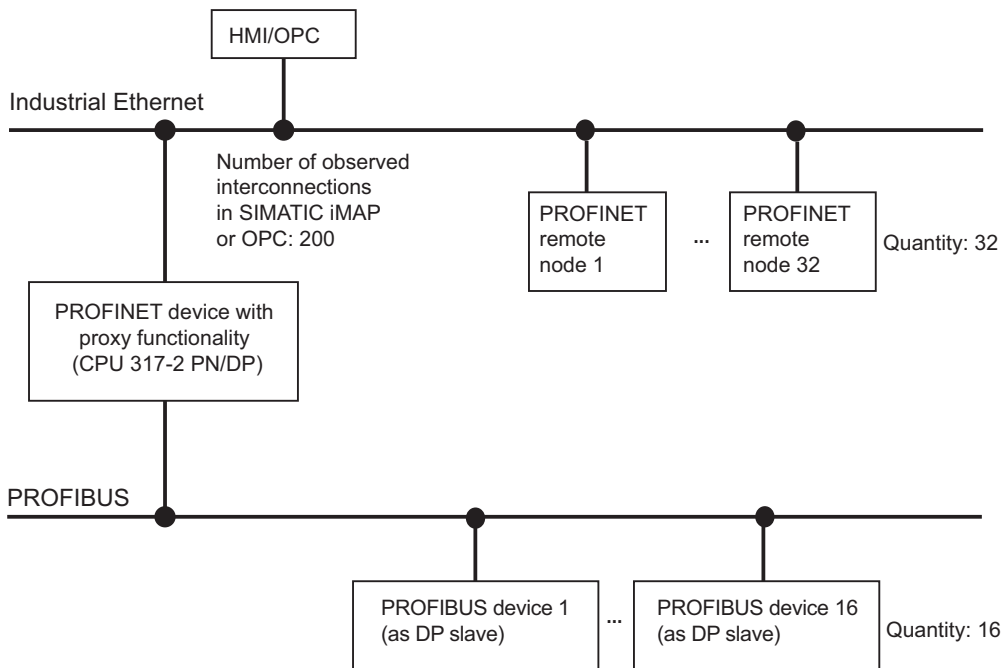
The OB1 cycle is extended by

- Increasing the number of PROFINET interconnections,
- Increasing the number of remote partners,
- Increasing the data volume and
- Increasing the transfer frequency

**Note**

The use of CBA with cyclical PROFINET interconnections requires the use of switches to maintain the performance data. 100-Mbit full-duplex operation is mandatory with cyclical PROFINET interconnections.

The following graphic shows the configuration that was used for the measurements.



The upper graphic displays	Number
<b>Incoming/outgoing remote connections</b>	
Cyclical interconnection via Ethernet	200, scan cycle rate: Intervals of 10 ms
Acyclic interconnection via Ethernet	50, scan cycle rate: Intervals of 500 ms
Interconnections from the PROFINET device with proxy functionality (CPU 317-2 PN/DP) to the PROFIBUS devices.	16 x 4
Interconnections of PROFIBUS devices among each other	16 x 6

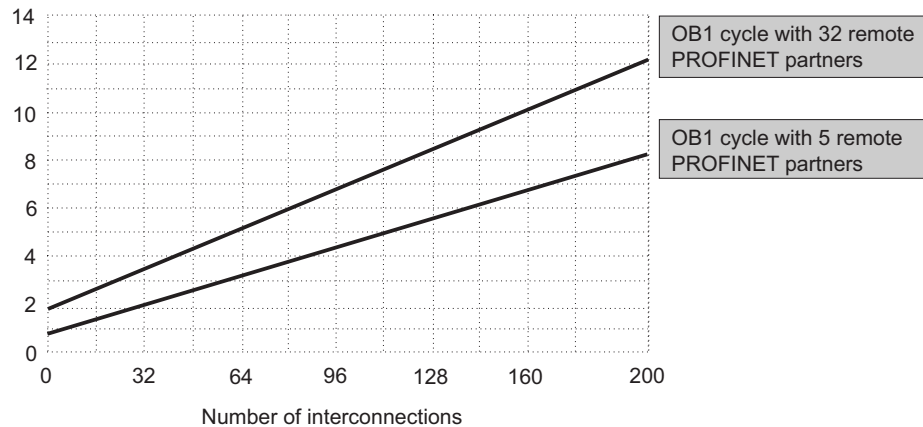
### Additional marginal conditions

The maximum cycle load through communication in the measurement is 20 %.

The lower graphic shows that the OB1 cycle is influenced by increasing the cyclical PROFINET interconnections to remote partners at PROFINET:

Dependency of the OB1 cycle on the number of interconnections

Cycle time in ms



### Base load through PROFIBUS devices

The 16 PROFIBUS devices with their interconnections among each other generate an **additional** base load of up to 1,0 ms.

### Tips and notes

The upper graphic already includes the use of uniform values for the transfer frequency of all interconnections to a partner.

- The performance can drop by up to 50 % if the values are distributed to different frequency levels.
- The use of data structures and arrays in an interconnection instead of many single interconnections with simple data structures increases the performance.

## 5.3 Response time

### 5.3.1 Overview

#### Definition of response time

www.DataSheet4U.com

The response time is the time between the detection of an input signal and the change of a linked output signal.

#### Fluctuation width

The physical response time lies between the shortest and the longest response time. You must always reckon with the longest response time when configuring your system.

The shortest and longest response times are shown below, to give you an idea of the fluctuation width of the response time.

#### Factors

The response time depends on the cycle time and following factors:

- Delay of the inputs and outputs of signal modules or integrated I/O.
- Additional update times for PROFINET IO
- additional DP cycle times on PROFIBUS DP
- Execution in the user program

#### Reference

- The delay times are located in the specifications of the signal modules (*Module data Reference Manual*).

#### Update times for PROFINET IO

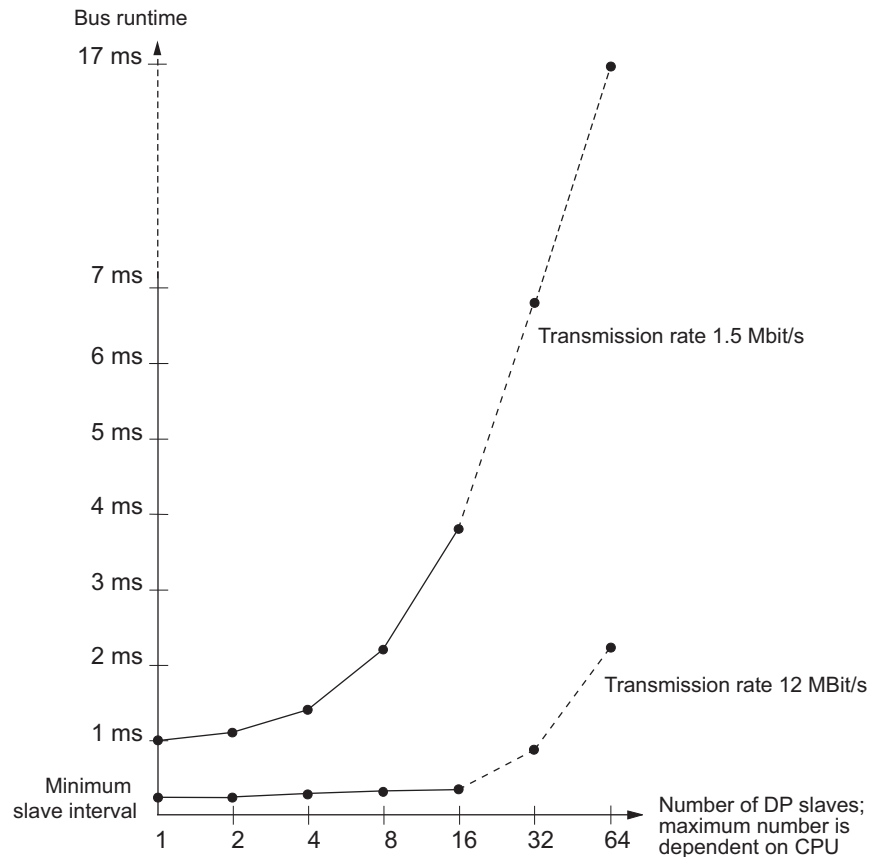
If you configured your PROFINET IO system in STEP 7, STEP 7 calculates the update time for PROFINET IO. You can then view the PROFINET IO update times on your PG.



### DP cycle times in the PROFIBUS DP network

If you have configured your PROFIBUS DP master system in STEP 7, STEP 7 calculates the typical DP cycle time to be expected. You can then view the DP cycle time of your configuration on the PG.

The figure below gives you an overview of the DP cycle time. In this example, let us assume that the data of each DP slave has an average length of 4 bytes.

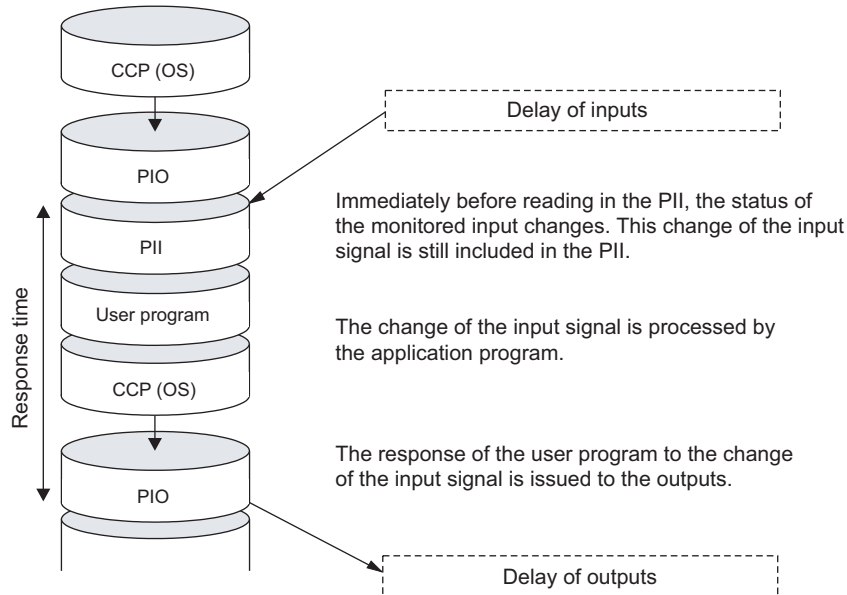


With multi-master operation on a PROFIBUS-DP network, you must make allowances for the DP cycle time at each master. That is, you will have to calculate the times for each master separately and then add the results.

### 5.3.2 Shortest response time

#### Conditions for the shortest response time

The figure below shows the conditions under which the shortest response time is reached.



#### Calculation

The (shortest) response time is the sum of:

Table 5-10 Formula: Shortest response time

- 1 x process image transfer time for the inputs
- + 1 x process image transfer time for the outputs
- + 1 x program processing time
- + 1 x operating system processing time at the SCC
- + I/O delay
- = **Shortest response time**

The result is equivalent to the sum of the cycle time plus the I/O delay times.

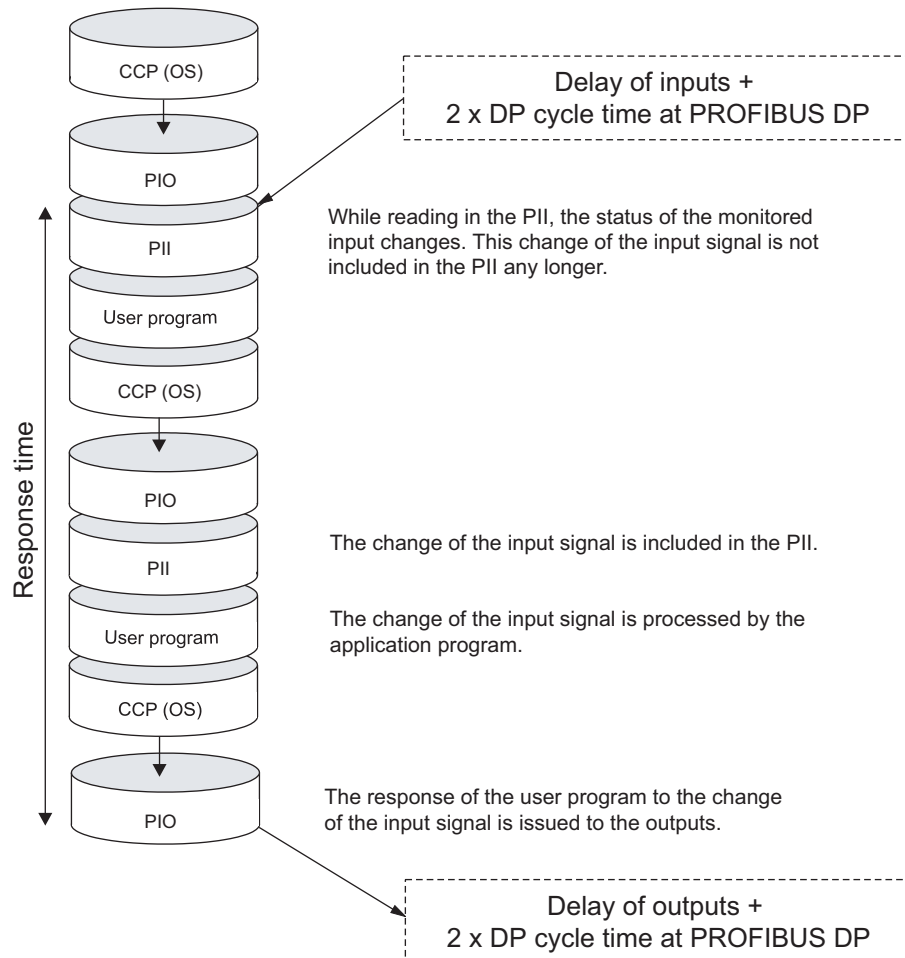
#### See also

Overview (Page 5-14)

### 5.3.3 Longest response time

#### Conditions for the longest response time

The figure below shows the conditions under which the longest response time is reached.



### Calculation

The (longest) response time is the sum of:

Table 5-11 Formula: Longest response time

	2 x process image transfer time for the inputs
+	2 x process image transfer time for the outputs
+	2 x program processing time
+	2 x operating system processing time
+	2 x program processing time
+	4 x PROFINET IO update time (only if PROFINET IO is used.)
+	4 x DP cycle time on PROFIBUS DP (only if PROFIBUS DP is used.)
+	I/O delay
=	<b>Longest response time</b>

Equivalent to the sum of 2 x the cycle time + I/O delay time + 4 x times the PROFINET IO update time or 4 x times the DP cycle time on PROFIBUS DP.

### See also

Overview (Page 5-14)

## 5.3.4 Reducing the response time with direct I/O access

### Reducing the response time

You can reach faster response times with direct access to the I/O in your user program, e.g. with

- L PIB or
- T PQW

you can partially avoid the response times described above.

---

#### Note

You can also achieve fast response times by using process interrupts.

---

### See also

Shortest response time (Page 5-16)

Longest response time (Page 5-17)

## 5.4 Calculating method for calculating the cycle/response time

### Introduction

This section gives you an overview of how to calculate the cycle/response time.

### Cycle time

www.DataSheet4U.com

1. Determine the user program runtime with the help of the *Instruction list*.
2. Multiply the calculated value by the CPU-specific factor from the table *Extension of user program processing time*.
3. Calculate and add the process image transfer time. Corresponding guide values are found in table *Data for calculating process image transfer time*.
4. Add the processing time at the scan cycle checkpoint. Corresponding guide values are found in the table *Operating system processing time at the scan cycle checkpoint*.
5. Include the extensions as a result of testing and commissioning functions as well as cyclical PROFINET interconnections in your calculation. These values are found in the table *Cycle time extension due to testing and commissioning functions*. The final result is the cycle time.

### Extension of the cycle time as a result of interrupts and communication load

$100 / (100 - \text{configured communication load in \%})$

1. Multiply the cycle time by the factor as in the formula above.
2. Calculate the runtime of interrupt processing program sections with the help of the instruction list. Add the corresponding value from the table below.
3. Multiply both values by the CPU-specific extension factor of the user program processing time.
4. Add the value of the interrupt-processing program sequences to the theoretical cycle time, multiplied by the number of triggering (or expected) interrupt events within the cycle time. The result is an approximation of the **physical cycle time**. Note down the result.

### See also

Cycle extension through component-based automation (CBA) (Page 5-11)

## Response time

Table 5-12 Calculating the response time

Shortest response time	Longest response time
-	Multiply the physical cycle time by factor 2.
Now add I/O delay.	Now add the I/O delay plus the DP cycle times on PROFIBUS-DP or the PROFINET IO update times.
The result is the shortest response time.	The result is the longest response time.

www.DataSheet4U.com

## See also

Longest response time (Page 5-17)

Shortest response time (Page 5-16)

Calculating the cycle time (Page 5-5)

Cycle extension through component-based automation (CBA) (Page 5-11)

## 5.5 Interrupt response time

### 5.5.1 Overview

#### Definition of interrupt response time

The interrupt response time is the time that expires between the first occurrence of an interrupt signal and the call of the first interrupt OB instruction. Generally valid: Higher-priority interrupts take priority. This means that the interrupt response time is increased by the program processing time of the higher-priority interrupt OBs and the interrupt OBs of equal priority which have not yet been executed (queued).

#### Process/diagnostic interrupt response times of the CPUs

Table 5-13 Process/diagnostic interrupt response times

CPU	Process interrupt response times			Diagnostic interrupt response times	
	external min.	external max.	Integrated I/O max.	Min.	Max.
CPU 312	0.5 ms	0,8 ms	-	0.5 ms	1,0 ms
CPU 312C	0.5 ms	0,8 ms	0,6 ms	0.5 ms	1,0 ms
CPU 313C	0,4 ms	0,6 ms	0.5 ms	0,4 ms	1,0 ms
CPU 313C-2	0,4 ms	0,7 ms	0.5 ms	0,4 ms	1,0 ms
CPU 314	0,4 ms	0,7 ms	-	0,4 ms	1,0 ms
CPU 314C-2	0,4 ms	0,7 ms	0.5 ms	0,4 ms	1,0 ms
CPU 315-2 DP CPU 315-2 PN/DP	0,4 ms	0,7 ms	-	0,4 ms	1,0 ms
CPU 317-2 DP CPU 317-2 PN/DP	0,2 ms	0,3 ms	-	0,2 ms	0,3 ms

**Calculation**

The formula below show how you can calculate the minimum and maximum interrupt response times.

Table 5-14 Process/diagnostic interrupt response times

Calculation of the minimum and maximum interrupt reaction time	
Minimum interrupt reaction time of the CPU + Minimum interrupt reaction time of the signal modules + PROFINET IO update time (only if PROFINET IO is used.) + DP cycle time on PROFIBUS DP (only if PROFIBUS DP is used.) = Quickest interrupt reaction time	Maximum interrupt reaction time of the CPU + Maximum interrupt reaction time of the signal modules + 2 x PROFINET IO update time (only if PROFINET IO is used.) + 2 x DP cycle time on PROFIBUS DP (only if PROFIBUS DP is used.) The maximum interrupt reaction time is longer when the communication functions are active. The extra time is calculated using the following formula: <b>tv: 200 µs + 1000 µs x n%</b> n = Setting of the cycle load as a result of communication

www.DataSheet4U.com

**Extension of interrupt response times with cyclic PROFINET interconnections**

When using cyclical PROFINET interconnections to a remote partner, the interrupt response time can increase by up to 1.2 ms in addition to the values mentioned above:

- More than 10 cyclical interconnections are configured to the remote partner or
- The interconnection data to the remote partner are greater than 100 bytes.

**Signal modules**

The **process interrupt response time** of signal modules is determined by the following factors:

- Digital input modules  
 Process interrupt response time = internal interrupt preparation time + input delay  
 You will find these times in the data sheet for the respective digital input module.
- Analog input modules  
 Process interrupt response time = internal interrupt preparation time + input delay  
 The internal interrupt preparation time for analog input modules can be neglected. The conversion times can be found in the data sheet for the individual analog input modules.

The **diagnostic interrupt response time** of signal modules is equivalent to the period that expires between the time a signal module detects a diagnostic event and the time this signal module triggers the diagnostic interrupt. This short time can be neglected.



## Process interrupt processing

Process interrupt processing begins after process interrupt OB40 is called. Higher-priority interrupts stop process interrupt processing. Direct I/O access is executed during runtime of the instruction. After process interrupt processing has terminated, cyclic program execution continues or further interrupt OBs of equal or lower priority are called and processed.

## See also

Overview (Page 5-1)

www.DataSheet4U.com

## 5.5.2 Reproducibility of delay interrupts and watchdog interrupts

### Definition of "Reproducibility"

#### Delay interrupt:

The period that expires between the call of the first instruction in the interrupt OB and the programmed time of interrupt.

#### Watchdog interrupt:

The fluctuation width of the interval between two successive calls, measured between the respective initial instructions of the interrupt OBs.

### Reproducibility

The following times apply for the CPUs described in this manual:

- Delay interrupt: +/- 200  $\mu$ s
- Watchdog interrupt: +/- 200  $\mu$ s

These times only apply if the interrupt can actually be executed at this time and if not interrupted, for example, by higher-priority interrupts or queued interrupts of equal priority.

## 5.6 Sample calculations

### 5.6.1 Example of cycle time calculation

#### Installation

www.DataSheet4U.com

You have configured an S7-300 and equipped it with following modules in rack "0":

- a CPU 314C-2
- 2 digital input modules SM 321; DI 32 x 24 VDC (4 bytes each in the PI)
- 2 digital output modules SM 322; DO 32 x 24 VDC/0.5 A (4 bytes each in the PI)

#### User program

According to the Instruction List, the user program runtime is 5 ms. There is no active communication.

#### Calculating the cycle time

In this example, the cycle time is equivalent to the sum of the following times:

- User program execution time:  
approx. 5 ms x CPU-specific factor 1.10 = approx. 5.5 ms
- Process image transfer time  
Process image of inputs:  $100 \mu\text{s} + 8 \text{ Byte} \times 37 \mu\text{s} = \text{approx. } 0.4 \text{ ms}$   
Process image of outputs:  $100 \mu\text{s} + 8 \text{ Byte} \times 37 \mu\text{s} = \text{approx. } 0.4 \text{ ms}$
- Operating system runtime at the scan cycle checkpoint:  
approx. 0.5 ms

**Cycle time** = 5.5 ms + 0.4 ms + 0.4 ms + 0.5 ms = 6.8 ms.

#### Calculating the physical cycle time

- There is no active communication.
- Interrupts are not processed.

Hence, the **physical cycle time** is 6 ms.

### Calculating the longest response time

Longest response time:

$6.8 \text{ ms} \times 2 = 13.6 \text{ ms}$ .

- I/O delay can be neglected.
- Neither PROFIBUS DP, nor PROFINET IO are being used, so you do not have to make allowances for any DP cycle times on PROFIBUS DP or for PROFINET IO update times.
- Interrupts are not processed.

www.DataSheet4U.com

## 5.6.2 Sample of response time calculation

### Installation

You have configured an S7-300 and equipped it with the following modules in two racks:

- a CPU 314C-2  
Configuring the cycle load as a result of communication: 40 %
- 4 digital input modules SM 321; DI 32 x 24 VDC (4 bytes each in the PI)
- 3 digital output modules SM 322; DO 16 x 24 VDC/0.5 A (2 bytes each in the PI)
- 2 analog input modules SM 331; AI 8 x 12-bit (not in the PI)
- 2 analog output modules SM 332; AO 4 x 12 bit (not in the PI)

### User program

According to the instruction list, the user program runtime is 10.0 ms.

### Calculating the cycle time

In this example, the cycle time is equivalent to the sum of the following times:

- User program execution time:  
approx.  $10 \text{ ms} \times \text{CPU-specific factor } 1.10 = \text{approx. } 11 \text{ ms}$
- Process image transfer time  
Process image of inputs:  $100 \mu\text{s} + 16 \text{ bytes} \times 37 \mu\text{s} = \text{approx. } 0.7 \text{ ms}$   
Process image of outputs:  $100 \mu\text{s} + 6 \text{ bytes} \times 37 \mu\text{s} = \text{approx. } 0.3 \text{ ms}$
- Operating system runtime at the scan cycle checkpoint:  
approx. 0.5 ms

The sum of the listed times is equivalent to the cycle time:

**Cycle time** =  $11.0 \text{ ms} + 0.7 \text{ ms} + 0.3 \text{ ms} + 0.5 \text{ ms} = 12.5 \text{ ms}$ .

### Calculating the physical cycle time

Under consideration of communication load:

$$12.5 \text{ ms} * 100 / (100-40) = 20.8 \text{ ms.}$$

Thus, under consideration of time-sharing factors, the **actual cycle time** is **21 ms**.

### Calculation of the longest response time

- Longest response time = 21 ms \* 2 = 42 ms.
- I/O delay
  - The maximum delay of the input digital module SM 321; DI 32 x 24 VDC is **4.8 ms** per channel.
  - The output delay of the digital output module SM 322; DO 16 x 24 VDC/0.5 A **can be neglected**.
  - The analog input module SM 331; AI 8 x 12 bit was configured for an interference suppression at 50 Hz. The result is a conversion time of 22 ms per channel. With the eight active channels, the result is a cycle time of **176 ms** for the analog input module.
  - The analog output module SM 332; AO 4 x 12-bit was programmed for the measuring range of 0 ...10 Hz. This gives a conversion time of 0.8 ms per channel. Since 4 channels are active, the result is a cycle time of 3.2 ms. A settling time of 0.1 ms for a resistive load must be added to this value. The result is a response time of **3.3 ms** for an analog output.
- Neither PROFIBUS DP, nor PROFINET IO are being used, so you do not have to make allowances for any DP cycle times on PROFIBUS DP or for PROFINET IO update times.
- Response times plus I/O delay:
  - **Case 1:** An output channel of the digital output module is set when a signal is received at the digital input. The result is a response time of:  
Response time = 42 ms + 4.8 ms = 46.8 ms.
  - **Case 2:** An analog value is fetched, and an analog value is output. The result is a response time of:  
**Longest response time** = 42 ms + 176 ms + 3.3 ms = 221.3 ms.

### 5.6.3 Example of interrupt response time calculation

#### Installation

You have assembled an S7-300, consisting of one CPU 314C-2 and four digital modules in the CPU rack. One of the digital input modules is an SM 321; DI 16 x 24 VDC; with process/diagnostic interrupt function.

You have enabled only the process interrupt in your CPU and SM parameter configuration. You decided not to use time-controlled processing, diagnostics or error handling. You have configured a 20% communication load on the cycle.

You have configured a delay of 0.5 ms for the inputs of the DI module.

No activities are required at the scan cycle checkpoint.

#### Calculation

In this example, the process interrupt response time is based on following time factors:

- Process interrupt response time of CPU 314C-2: approx. 0,7 ms
- Extension by communication according to the formula:  
 $200 \mu\text{s} + 1000 \mu\text{s} \times 20 \% = 400 \mu\text{s} = 0.4 \text{ ms}$
- Process interrupt response time of SM 321; DI 16 x 24 VDC:
  - Internal interrupt preparation time: 0.25 ms
  - Input delay: 0.5 ms
- Neither PROFIBUS DP, nor PROFINET IO are being used, so you do not have to make allowances for any DP cycle times on PROFIBUS DP or for PROFINET IO update times.

The process interrupt response time is equivalent to the sum of the listed time factors:

**Process interrupt response time** = 0.7 ms + 0.4 ms + 0.25 ms + 0.5 ms = **approx. 1.85 ms.**

This calculated process interrupt response time expires between the time a signal is received at the digital input and the call of the first instruction in OB40.



## Technical data of CPU 31xC

www.DataSheet4U.com

### 6.1 General technical data

#### 6.1.1 Dimensions of CPU 31xC

Each CPU features the same height and depth, only the width dimensions differ.

- Height: 125 mm
- Depth: 115 mm, or 180 mm with opened front cover.

#### Width of CPU

CPU	Width
CPU 312C	80 mm
CPU 313C	120 mm
CPU 313C-2 PtP	120 mm
CPU 313C-2 DP	120 mm
CPU 314C-2 PtP	120 mm
CPU 314C-2 DP	120 mm

### 6.1.2 Technical data of the Micro Memory Card (MMC)

#### Plug-in SIMATIC Micro Memory Cards

The following memory modules are available:

Table 6-1 Available MMCs

Type	Order number	Required for a firmware update via MMC
MMC 64k	6ES7 953-8LFxx-0AA0	–
MMC 128k	6ES7 953-8LGxx-0AA0	–
MMC 512k	6ES7 953-8LJxx-0AA0	–
MMC 2M	6ES7 953-8LLxx-0AA0	Minimum requirement for CPUs without DP interface
MMC 4M	6ES7 953-8LMxx-0AA0	Minimum requirement for CPUs with DP interface
MMC 8M <sup>1</sup>	6ES7 953-8LPxx-0AA0	–

<sup>1</sup> This MMC cannot be used together with CPU 312C or CPU 312.

#### Maximum number of loadable blocks in the MMC

The number of blocks that can be stored on the MMC depends on the capacity of the MMC being used. The maximum number of blocks that can be loaded is therefore limited by the capacity of your MMC (including blocks generated with the "CREATE DB" SFC):

Table 6-2 Maximum number of loadable blocks on the MMC

Size of MMC	Maximum number of blocks that can be loaded
64 KB	768
128 KB	1024
512 KB	Here the maximum number of blocks that can be loaded for the specific CPU is less than the number of blocks that can be stored on the MMC.
2 MB	
4 MB	
8 MB	Refer to the corresponding specifications of a specific CPU to determine the maximum number of blocks that can be loaded.



## 6.2 CPU 312C

### Technical data

Table 6-3 Technical data of CPU 312C

<b>Technical data</b>	
<b>CPU and version</b>	
Order number	6ES7 312-5BD01-0AB0
• Hardware version	01
• Firmware version	V2.0
• Associated programming package	STEP 7 as of V 5.2 + SP 1 (please use previous CPU for STEP 7 V 5.1 + SP 3 or later)
<b>Memory</b>	
RAM	
• Integrated	16 KB
• Expandable	No
Load memory	Plugged in with MMC (max. 4 MB)
Data storage life on the MMC (following final programming)	At least 10 years
Buffering	Guaranteed by MMC (maintenance-free)
<b>Execution times</b>	
Processing times of	
• Bit operations	Min. 0.2 µs
• Word instructions	Min. 0.4 µs
• Fixed-point arithmetic	Min. 5 µs
• Floating-point arithmetic	Min. 6 µs
<b>Timers/counters and their retentivity</b>	
S7 counters	
• Retentive memory	Configurable
• Default	from C0 to C7
• Counting range	0 to 999
IEC Counters	
• Type	SFB
• Number	unlimited (limited only by RAM size)
S7 timers	
• Retentive memory	Configurable
• Default	Not retentive
• Timer range	10 ms to 9990 s

<b>Technical data</b>	
IEC Timers	Yes
• Type	SFB
• Number	unlimited (limited only by RAM size)
<b>Data areas and their retentivity</b>	
Flag bits	128 bytes
• Retentive memory	Configurable
• Default retentivity	MB0 to MB15
Clock flag bits	8 (1 byte per flag bit)
Data blocks	Max. 511 (DB 1 to DB 511)
• Length	max. 16 KB
Local data per priority class	max. 256 bytes
<b>Blocks</b>	
Total	1024 (DBs, FCs, FBs) The maximum number of blocks that can be loaded may be reduced if you are using another MMC.
OBs	see the Instruction List
• Length	max. 16 KB
Nesting depth	
• Per priority class	8
• additional within an error OB	4
FBs	Max. 512 (FB 0 to FB 511)
• Length	max. 16 KB
FCs	Max. 512 (FC 0 to FC 511)
• Length	max. 16 KB
<b>Address areas (I/O)</b>	
Total I/O address area	max. 1024 bytes/1024 bytes (can be freely addressed)
I/O process image	128 bytes/128 bytes
Digital channels	Max. 256
• of those local	Max. 256
• Integrated channels	10 DI / 6 DO
Analog channels	Max. 64
• of those local	Max. 64
• Integrated channels	None

www.DataSheet4U.com

<b>Technical data</b>	
<b>Assembly</b>	
Racks	Max. 1
Modules per rack	Max. 8
Number of DP masters	
• Integrated	None
• Via CP	Max. 1
Number of function modules and communication processors you can operate	
• FM	Max. 8
• CP (PtP)	Max. 8
• CP (LAN)	Max. 4
<b>Time-of-day</b>	
Real-time clock	Yes (SW clock)
• Buffered	No
• Accuracy	Deviation per day < 10 s
• Behavior of the realtime clock after POWER OFF	The clock keeps running, continuing at the time-of-day it had when power was switched off.
Operating hours counter	1
• Number	0
• Value range	2 <sup>31</sup> hours (if SFC 101 is used)
• Granularity	1 hour
• Retentive	Yes; must be manually restarted after every restart
Clock synchronization	Yes
• In the PLC	Master
• On MPI	Master/slave
<b>S7 signaling functions</b>	
Number of stations that can be logged on for signaling functions	max. 6 (depends on the number of connections configured for PG / OP and S7 basic communication)
Process diagnostics messages	Yes
• Simultaneously enabled interrupt S blocks	Max. 20
<b>Testing and commissioning functions</b>	
Status/control variables	Yes
• Variables	Inputs, outputs, memory bits, DBs, timers, counters
• Number of variables	Max. 30
– Of those as status variable	Max. 30
– Of those as control variable	Max. 14
Forcing	Yes
• Variables	Inputs, outputs
• Number of variables	Max. 10

www.DataSheet4U.com

<b>Technical data</b>	
Block status	Yes
Single step	Yes
Breakpoints	2
Diagnostic buffer	Yes
• Number of entries (not configurable)	Max. 100
<b>Communication functions</b>	
PG/OP communication	Yes
Global data communication	Yes
• Number of GD circuits	4
• Number of GD packets	Max. 4
– Sending stations	Max. 4
– Receiving stations	Max. 4
• Length of GD packets	max. 22 bytes
– Consistent data	22 bytes
S7 basic communication	Yes
• User data per request	max. 76 bytes
• Consistent data	76 bytes (for X_SEND or X_RCV) 64 bytes (for X_PUT or X_GET as the server)
S7 communication	
• As server	Yes
• User data per request	max. 180 bytes (with PUT/GET)
– Consistent data	64 bytes
S5-compatible communication	Yes (via CP and loadable FCs)
Number of connections	Max. 6
can be used for	
• PG communication	Max. 5
– Reserved (default)	1
– Configurable	from 1 to 5
• OP communication	Max. 5
– Reserved (default)	1
– Configurable	from 1 to 5
• S7-based communication	Max. 2
– Reserved (default)	2
– Configurable	from 0 to 2
Routing	No
<b>Interfaces</b>	
<b>1st interface</b>	
Type of interface	Integrated RS485 interface
Physics	RS 485
electrically isolated	No
Interface power supply (15 to 30 VDC)	Max. 200 mA

www.DataSheet4U.com

<b>Technical data</b>	
<b>Functionality</b>	
• MPI	Yes
• PROFIBUS DP	No
• Point-to-point communication	No
<b>MPI</b>	
Services	
• PG/OP communication	Yes
• Routing	No
• Global data communication	Yes
• S7 basic communication	Yes
• S7 communication	
– As server	Yes
– As client	No
• Transmission rates	max. 187.5 kbps
<b>Programming</b>	
Programming language	LAD/FBD/STL
Available instructions	see the Instruction List
Nesting levels	8
System functions (SFCs)	see the Instruction List
System function blocks (SFBs)	see the Instruction List
User program security	Yes
<b>Integrated I/O</b>	
• Default addresses of the integrated	
– Digital inputs	124.0 to 125.1
– Digital outputs	124.0 to 124.5
<b>Integrated functions</b>	
Counters	2 channels (see the Manual <i>Technological Functions</i> )
Frequency counters	2 channels, max. 10 kHz (see the Manual <i>Technological Functions</i> )
Pulse outputs	2 channels for pulse width modulation, max. 2.5 kHz (see the Manual <i>Technological Functions</i> )
Controlled positioning	No
Integrated "Controlling" SFB	No
<b>Dimensions</b>	
Mounting dimensions W x H x D (mm)	80 x 125 x 130
Weight	409 g
<b>Voltages and currents</b>	
Power supply (rated value)	24 VDC
• Permitted range	20.4 V to 28.8 V
Current consumption (no-load operation)	Typically 60 mA
Inrush current	Typically 11 A
Power consumption (nominal value)	500 mA

www.DataSheet4U.com

6.3 CPU 313C

Technical data	
I <sup>2</sup> t	0.7 A <sup>2</sup> s
External fusing of power supply lines (recommended)	LS switch Type C min. 2 A, LS switch Type B min. 4 A
Power loss	Typically 6 W

Reference

www.DataSheet4U.com

In Chapter *Specifications of the integrated I/O* you can find

- the specifications of integrated I/Os under *Digital inputs of CPUs 31xC* and *Digital outputs of CPUs 31xC*.
- the block diagrams of the integrated I/Os under *Arrangement and usage of integrated I/Os*.

## 6.3 CPU 313C

Technical data

Table 6-4 Technical data of CPU 313C

Technical data	
<b>CPU and version</b>	
Order number	6ES7 313-5BE01-0AB0
• Hardware version	01
• Firmware version	V2.0.0
• Associated programming package	STEP 7 as of V 5.2 + SP 1 (please use previous CPU for STEP 7 V 5.1 + SP 3 or later)
<b>Memory</b>	
RAM	
• Integrated	32 KB
• Expandable	No
Load memory	Plugged in with MMC (max. 8 MB)
Data storage life on the MMC (following final programming)	At least 10 years
Buffering	Guaranteed by MMC (maintenance-free)
<b>Execution times</b>	
Processing times of	
• Bit operations	min. 0.1 µs
• Word instructions	min. 0.2 µs
• Fixed-point arithmetic	min. 2 µs
• Floating-point arithmetic	min. 6 µs

Technical data	
<b>Timers/counters and their retentivity</b>	
S7 counters	256
• Retentive memory	Configurable
• Default	from C0 to C7
• Counting range	0 to 999
IEC Counters	Yes
• Type	SFB
• Number	unlimited (limited only by RAM size)
S7 timers	256
• Retentive memory	Configurable
• Default	Not retentive
• Timer range	10 ms to 9990 s
IEC Timers	Yes
• Type	SFB
• Number	unlimited (limited only by RAM size)
<b>Data areas and their retentivity</b>	
Flag bits	256 bytes
• Retentive memory	Configurable
• Default retentivity	MB0 to MB15
Clock flag bits	8 (1 byte per flag bit)
Data blocks	Max. 511 (DB 1 to DB 511)
• Length	max. 16 KB
Local data per priority class	max. 510 bytes
<b>Blocks</b>	
Total	1024 (DBs, FCs, FBs) The maximum number of blocks that can be loaded may be reduced if you are using another MMC.
OBs	see the Instruction List
• Length	max. 16 KB
Nesting depth	
• Per priority class	8
• additional within an error OB	4
FBs	Max. 512 (FB 0 to FB 511)
• Length	max. 16 KB
FCs	Max. 512 (FC 0 to FC 511)
• Length	max. 16 KB

www.DataSheet4U.com

<b>Technical data</b>	
<b>Address areas (I/O)</b>	
Total I/O address area	max. 1024 bytes/1024 bytes (can be freely addressed)
I/O process image	128 bytes/128 bytes
Digital channels	Max. 1016
• of those local	Max. 992
• Integrated channels	24 DI / 16 DO
Analog channels	Max. 253
• of those local	Max. 248
• Integrated channels	4 + 1 AI / 2 AO
<b>Assembly</b>	
Racks	Max. 4
Modules per rack	max. 8; max. 7 in rack 3
Number of DP masters	
• Integrated	None
• via CP	Max. 2
Number of function modules and communication processors you can operate	
• FM	Max. 8
• CP (PtP)	Max. 8
• CP (LAN)	Max. 6
<b>Time-of-day</b>	
Real-time clock	Yes (HW clock)
• Buffered	Yes
• Buffered period	Typically 6 weeks (at an ambient temperature of 40 °C)
• Behavior of the clock on expiration of the buffered period	The clock keeps running, continuing at the time-of-day it had when power was switched off.
• Accuracy	Deviation per day < 10 s
Operating hours counter	1
• Number	0
• Value range	2 <sup>31</sup> hours (if SFC 101 is used)
• Granularity	1 hour
• Retentive	Yes; must be manually restarted after every restart
Clock synchronization	Yes
• In the PLC	Master
• On MPI	Master/slave
<b>S7 signaling functions</b>	
Number of stations that can be logged on for signaling functions	Max. 8 (depends on the number of connections configured for PG / OP and S7 basic communication)



<b>Technical data</b>	
Process diagnostics messages	Yes
• Simultaneously enabled interrupt S blocks	Max. 20
<b>Testing and commissioning functions</b>	
Status/control variables	Yes
• Variables	Inputs, outputs, memory bits, DBs, timers, counters
• Number of variables	Max. 30
– of those as status variable	Max. 30
– of those as control variable	Max. 14
Forcing	Yes
• Variables	Inputs, outputs
• Number of variables	Max. 10
Block status	Yes
Single step	Yes
Breakpoints	2
Diagnostic buffer	Yes
• Number of entries (not configurable)	Max. 100
<b>Communication functions</b>	
PG/OP communication	Yes
Global data communication	Yes
• Number of GD circuits	4
• Number of GD packets	Max. 4
– Sending stations	Max. 4
– Receiving stations	Max. 4
• Length of GD packets	max. 22 bytes
– Consistent data	22 bytes
S7 basic communication	Yes
• User data per request	max. 76 bytes
– Consistent data	76 bytes (for X_SEND or X_RCV) 64 bytes (for X_PUT or X_GET as the server)
S7 communication	
• As server	Yes
• as client	Yes (via CP and loadable FBs)
• User data per request	max. 180 bytes (with PUT/GET)
– Consistent data	64 bytes
S5-compatible communication	Yes (via CP and loadable FCs)
Number of connections	Max. 8

www.DataSheet4U.com

www.DataSheet4U.com

<b>Technical data</b>	
can be used for	
<ul style="list-style-type: none"> <li>• PG communication                             <ul style="list-style-type: none"> <li>– Reserved (default)</li> <li>– Configurable</li> </ul> </li> </ul>	Max. 7 1 from 1 to 7
<ul style="list-style-type: none"> <li>• OP communication                             <ul style="list-style-type: none"> <li>– Reserved (default)</li> <li>– Configurable</li> </ul> </li> </ul>	Max. 7 1 from 1 to 7
<ul style="list-style-type: none"> <li>• S7 basic communication                             <ul style="list-style-type: none"> <li>– Reserved (default)</li> <li>– Configurable</li> </ul> </li> </ul>	Max. 4 4 from 0 to 4
Routing	No
<b>Interfaces</b>	
<b>1st interface</b>	
Type of interface	Integrated RS485 interface
Physics	RS 485
electrically isolated	No
Interface power supply (15 to 30 VDC)	Max. 200 mA
<b>Functionality</b>	
• MPI	Yes
• PROFIBUS DP	No
• PtP communication	No
<b>MPI</b>	
Services	
• PG/OP communication	Yes
• Routing	No
• Global data communication	Yes
• S7 basic communication	Yes
<ul style="list-style-type: none"> <li>• S7 communication                             <ul style="list-style-type: none"> <li>– As server</li> <li>– As client</li> </ul> </li> </ul>	Yes No (but via CP and loadable FBs)
• Transmission rates	max. 187.5 kbps
<b>Programming</b>	
Programming language	LAD/FBD/STL
Available instructions	see the Instruction List
Nesting levels	8
System functions (SFCs)	see the Instruction List
System function blocks (SFBs)	see the Instruction List
User program security	Yes

Technical data	
<b>Integrated I/O</b>	
<ul style="list-style-type: none"> <li>• Default addresses of the integrated                             <ul style="list-style-type: none"> <li>– Digital inputs</li> <li>– Digital outputs</li> <li>– Analog inputs</li> <li>– Analog outputs</li> </ul> </li> </ul>	124.0 to 126.7 124.0 to 125.7 752 to 761 752 to 755
<b>Integrated functions</b>	
Counters	3 channels (see the Manual <i>Technological Functions</i> )
Frequency counters	3 channels, max. 30 kHz (see the Manual <i>Technological Functions</i> )
Pulse outputs	3 channels for pulse width modulation, max. 2.5 kHz (see the Manual <i>Technological Functions</i> )
Controlled positioning	No
Integrated "Controlling" SFB	PID controller (see the Manual <i>Technological Functions</i> )
<b>Dimensions</b>	
Mounting dimensions W x H x D (mm)	120 x 125 x 130
Weight	660 g
<b>Voltages and currents</b>	
Power supply (rated value)	24 VDC
<ul style="list-style-type: none"> <li>• Permitted range</li> </ul>	20.4 V to 28.8 V
Current consumption (no-load operation)	Typically 150 mA
Inrush current	Typically 11 A
Power consumption (nominal value)	700 mA
$I^2t$	0.7 A <sup>2</sup> s
External fusing of power supply lines (recommended)	LS switch Type C min. 2 A, LS switch Type B min. 4 A,
Power loss	Typically 14 W

## Reference

In Chapter *Specifications of the integrated I/O* you can find

- the specifications of integrated I/O under *Digital inputs of CPUs 31xC*, *Digital outputs of CPUs 31xC*, *Analog inputs of CPUs 31xC* and *Analog outputs of CPUs 31xC*.
- the block diagrams of the integrated I/Os under *Arrangement and usage of integrated I/Os*.

## 6.4 CPU 313C-2 PtP and CPU 313C-2 DP

### Technical data

Table 6-5 Technical data for CPU 313C-2 PtP/ CPU 313C-2 DP

Technical data		
	CPU 313C-2 PtP	CPU 313C-2 DP
<b>CPU and version</b>	<b>CPU 313C-2 PtP</b>	<b>CPU 313C-2 DP</b>
Order number	6ES7 313-6BE01-0AB0	6ES7 313-6CE01-0AB0
• Hardware version	01	01
• Firmware version	V2.0.0	V2.0.0
Associated programming package	STEP 7 as of V 5.2 + SP 1 (please use previous CPU for STEP7 V 5.1 + SP 3 or later)	STEP 7 as of V 5.2 + SP 1 (please use previous CPU for STEP 7 V 5.1 + SP 3 or later)
<b>Memory</b>	<b>CPU 313C-2 PtP</b>	<b>CPU 313C-2 DP</b>
RAM		
• Integrated	32 KB	
• Expandable	No	
Load memory	Plugged in with MMC (max. 8 MB)	
Data storage life on the MMC (following final programming)	At least 10 years	
Buffering	Guaranteed by MMC (maintenance-free)	
<b>Execution times</b>	<b>CPU 313C-2 PtP</b>	<b>CPU 313C-2 DP</b>
Processing times of		
• Bit operations	min. 0.1 µs	
• Word instructions	min. 0.2 µs	
• Fixed-point arithmetic	min. 2 µs	
• Floating-point arithmetic	min. 6 µs	
<b>Timers/counters and their retentivity</b>	<b>CPU 313C-2 PtP</b>	<b>CPU 313C-2 DP</b>
S7 counters	256	
• Retentive memory	Configurable	
• Default	from C0 to C7	
• Counting range	0 to 999	
IEC Counters	Yes	
• Type	SFB	
• Number	unlimited (limited only by RAM size)	
S7 timers	256	
• Retentive memory	Configurable	
• Default	Not retentive	
• Timer range	10 ms to 9990 s	
IEC Timers	Yes	
• Type	SFB	
• Number	unlimited (limited only by RAM size)	

Technical data		
	CPU 313C-2 PtP	CPU 313C-2 DP
<b>Data areas and their retentivity</b>	<b>CPU 313C-2 PtP</b>	<b>CPU 313C-2 DP</b>
Flag bits	256 bytes	
• Retentive memory	Configurable	
• Default retentivity	MB0 to MB15	
Clock flag bits	8 (1 byte per flag bit)	
Data blocks	Max. 511 (DB 1 to DB 511)	
• Length	max. 16 KB	
Local data per priority class	max. 510 bytes	
<b>Blocks</b>	<b>CPU 313C-2 PtP</b>	<b>CPU 313C-2 DP</b>
Total	1024 (DBs, FCs, FBs) The maximum number of blocks that can be loaded may be reduced if you are using another MMC.	
OBs	see the Instruction List	
• Length	max. 16 KB	
Nesting depth		
• Per priority class	8	
• additional within an error OB	4	
FBs	Max. 512 (FB 0 to FB 511)	
• Length	max. 16 KB	
FCs	Max. 512 (FC 0 to FC 511)	
• Length	max. 16 KB	
<b>Address areas (I/O)</b>	<b>CPU 313C-2 PtP</b>	<b>CPU 313C-2 DP</b>
Total I/O address area	max. 1024 bytes/1024 bytes (can be freely addressed)	max. 1024 bytes/1024 bytes (can be freely addressed)
• Distributed	None	max. 1008 bytes
I/O process image	128 bytes/128 bytes	128 bytes/128 bytes
Digital channels	Max. 1008	Max. 8192
• of those local	Max. 992	Max. 992
• Integrated channels	16 DI / 16 DO	16 DI / 16 DO
Analog channels	Max. 248	Max. 512
• of those local	Max. 248	Max. 248
• Integrated channels	None	None
<b>Assembly</b>	<b>CPU 313C-2 PtP</b>	<b>CPU 313C-2 DP</b>
Racks	Max. 4	
Modules per rack	max. 8; max. 7 in rack 3	
Number of DP masters		
• Integrated	No	1
• via CP	Max. 1	Max. 1

Technical data		
	CPU 313C-2 PtP	CPU 313C-2 DP
Number of function modules and communication processors you can operate		
• FM	Max. 8	
• CP (PtP)	Max. 8	
• CP (LAN)	Max. 6	
Time-of-day	CPU 313C-2 PtP	CPU 313C-2 DP
Real-time clock	Yes (HW clock)	
• Buffered	Yes	
• Buffered period	Typically 6 weeks (at an ambient temperature of 40 °C)	
• Behavior of the clock on expiration of the buffered period	The clock keeps running, continuing at the time-of-day it had when power was switched off.	
• Accuracy	Deviation per day < 10 s	
Operating hours counter	1	
• Number	0	
• Value range	2 <sup>31</sup> hours (if SFC 101 is used)	
• Granularity	1 hour	
• Retentive	Yes; must be manually restarted after every restart	
Clock synchronization	Yes	
• In the PLC	Master	
• On MPI	Master/slave	
S7 signaling functions	CPU 313C-2 PtP	CPU 313C-2 DP
Number of stations that can log in for signaling functions (e.g. OS)	Max. 8 (depends on the number of connections configured for PG / OP and S7 basic communication)	
Process diagnostics messages	Yes	
• Simultaneously enabled interrupt S blocks	Max. 20	
Testing and commissioning functions	CPU 313C-2 PtP	CPU 313C-2 DP
Status/control variables	Yes	
• Variables	Inputs, outputs, memory bits, DBs, timers, counters	
• Number of variables	Max. 30	
– Of those as status variable	Max. 30	
– Of those as control variable	Max. 14	
Forcing	Yes	
• Variables	Inputs, outputs	
• Number of variables	Max. 10	
Block status	Yes	
Single step	Yes	
Breakpoints	2	
Diagnostic buffer	Yes	
• Number of entries (not configurable)	Max. 100	

Technical data		
	CPU 313C-2 PtP	CPU 313C-2 DP
<b>Communication functions</b>	<b>CPU 313C-2 PtP</b>	<b>CPU 313C-2 DP</b>
PG/OP communication	Yes	
Global data communication	Yes	
• Number of GD circuits	4	
• Number of GD packets	Max. 4	
– Sending stations	Max. 4	
– Receiving stations	Max. 4	
• Length of GD packets	max. 22 bytes	
– Consistent data	22 bytes	
S7 basic communication	Yes (server)	
• User data per request	max. 76 bytes	
– Consistent data	76 bytes (for X_SEND or X_RCV) 64 bytes (for X_PUT or X_GET as the server)	
S7 communication		
• As server	Yes	
• as client	Yes (via CP and loadable FBs)	
• User data per request	max. 180 bytes (with PUT/GET)	
– Consistent data	64 bytes	
S5-compatible communication	Yes (via CP and loadable FCs)	
Number of connections	Max. 8	
can be used for		
• PG communication	Max. 7	
– Reserved (default)	1	
– Configurable	from 1 to 7	
• OP communication	Max. 7	
– Reserved (default)	1	
– Configurable	from 1 to 7	
• S7-based communication	Max. 4	
– Reserved (default)	4	
– Configurable	from 0 to 4	
Routing	No	Max. 4
<b>Interfaces</b>	<b>CPU 313C-2 PtP</b>	<b>CPU 313C-2 DP</b>
<b>1st interface</b>		
Type of interface	Integrated RS485 interface	
Physics	RS 485	
electrically isolated	No	
Interface power supply (15 to 30 VDC)	Max. 200 mA	
<b>Functionality</b>		
• MPI	Yes	
• PROFIBUS DP	No	
• Point-to-point communication	No	

Technical data		
	CPU 313C-2 PtP	CPU 313C-2 DP
<b>MPI</b>		
Services		
• PG/OP communication	Yes	
• Routing	No	Yes
• Global data communication	Yes	
• S7 basic communication	Yes	
• S7 communication <ul style="list-style-type: none"> <li>- As server</li> <li>- As client</li> </ul>	<ul style="list-style-type: none"> <li>• Yes</li> <li>• No (but via CP and loadable FBs)</li> </ul>	
Type of interface	Integrated RS422/RS485 interface	Integrated RS485 interface
Physics	RS 422/485	RS 485
electrically isolated	Yes	Yes
Interface power supply (15 to 30 VDC)	No	Max. 200 mA
Number of connections	None	8
<b>Functionality</b>		
• MPI	No	No
• PROFIBUS DP	No	Yes
• Point-to-point communication	Yes	No
<b>DP master</b>		
Number of connections	-	8
Services		
• PG/OP communication	-	Yes
• Routing	-	Yes
• Global data communication	-	No
• S7 basic communication	-	No
• S7 communication	-	No
• Constant bus cycle time	-	Yes
• SYNC/FREEZE	-	Yes
• Enable/disable DP slaves	-	Yes
• DPV1	-	Yes
• Transmission rates	-	Up to 12 Mbps
• Number of DP slaves per station	-	Max. 32
• Address area	-	Max. 1 KB I / 1 KB O
• User data per DP slave	-	Max. 244 bytes I / 244 bytes O



Technical data		
	CPU 313C-2 PtP	CPU 313C-2 DP
<b>DP slave</b>		
Number of connections	–	8
Services		
• PG/OP communication	–	Yes
• Routing	–	Yes (only if interface is active)
• Global data communication	–	No
• S7 basic communication	–	No
• S7 communication	–	No
• Direct data exchange	–	Yes
• Transmission rates	–	Up to 12 Mbps
• Automatic baud rate search	–	Yes (only if interface is passive)
• Intermediate memory	–	244 bytes I / 244 bytes O
• Address areas	–	Max. 32, with max. 32 bytes each
• DPV1	–	No
<b>GSD file</b>	–	The latest GSD file is available at: <a href="http://www.ad.siemens.de/support">http://www.ad.siemens.de/support</a> in the Product Support area
<b>Point-to-point communication</b>		
• Transmission rates	38.4 kbps half duplex 19.2 kbps full duplex	–
• Cable length	Max. 1200 m	–
• User program can control the interface	Yes	–
• The interface can trigger a break or an interrupt in the user program	Yes (message with break ID)	–
• Protocol driver	3964(R); ASCII	–
<b>Programming</b>		
	CPU 313C-2 PtP	CPU 313C-2 DP
Programming language	LAD/FBD/STL	
Available instructions	see the Instruction List	
Nesting levels	8	
System functions (SFCs)	see the Instruction List	
System function blocks (SFBs)	see the Instruction List	
User program security	Yes	
<b>Integrated I/O</b>		
	CPU 313C-2 PtP	CPU 313C-2 DP
• Default addresses of the integrated		
– Digital inputs	124.0 to 125.7	
– Digital outputs	124.0 to 125.7	

Technical data		
	CPU 313C-2 PtP	CPU 313C-2 DP
<b>Integrated functions</b>		
Counters	3 channels (see the Manual <i>Technological Functions</i> )	
Frequency counters	3 channels, max. 30 kHz (see the Manual <i>Technological Functions</i> )	
Pulse outputs	3 channels for pulse width modulation, max. 2.5 kHz (see the Manual <i>Technological Functions</i> )	
Controlled positioning	No	
Integrated "Controlling" SFB	PID controller (see the Manual <i>Technological Functions</i> )	
<b>Dimensions</b>		
Mounting dimensions W x H x D (mm)	120 x 125 x 130	
Weight	approx. 566 g	
<b>Voltages and currents</b>		
Power supply (rated value)	24 VDC	
• Permitted range	20.4 V to 28.8 V	
Current consumption (no-load operation)	Typically 100 mA	
Inrush current	Typically 11 A	
Power consumption (nominal value)	700 mA	900 mA
I <sup>2</sup> t	0.7 A <sup>2</sup> s	
External fusing of power supply lines (recommended)	LS switch type B: min. 4 A, type C: min. 2 A	
Power loss	Typically 10 W	

## Reference

In Chapter *Specifications of the integrated I/O* are found

- under *Digital inputs of CPUs 31xC* and *Digital outputs of CPUs 31xC* the technical data of integrated I/Os.
- the block diagrams of the integrated I/Os under *Arrangement and usage of integrated I/Os*.

## 6.5 CPU 314C-2 PtP and CPU 314C-2 DP

### Technical data

Table 6-6 Technical data of CPU 314C-2 PtP and CPU 314C-2 DP

Technical data		
	CPU 314C-2 PtP	CPU 314C-2 DP
<b>CPU and version</b>	<b>CPU 314C-2 PtP</b>	<b>CPU 314C-2 DP</b>
Order number	6ES7 314-6BF01-0AB0	6ES7 314-6CF01-0AB0
• Hardware version	01	01
• Firmware version	V2.0.0	V2.0.0
Associated programming package	STEP 7 as of V 5.2 + SP 1 (please use previous CPU for STEP 7 V 5.1 + SP 3 or later)	STEP 7 as of V 5.2 + SP 1 (please use previous CPU for STEP 7 V 5.1 + SP 3 or later)
<b>Memory</b>	<b>CPU 314C-2 PtP</b>	<b>CPU 314C-2 DP</b>
RAM		
• Integrated	48 KB	
• Expandable	No	
Load memory	Plugged in with MMC (max. 8 MB)	
Data storage life on the MMC (following final programming)	At least 10 years	
Buffering	Guaranteed by MMC (maintenance-free)	
<b>Execution times</b>	<b>CPU 314C-2 PtP</b>	<b>CPU 314C-2 DP</b>
Processing times of		
• Bit operations	Min. 0.1 µs	
• Word instructions	Min. 0.2 µs	
• Fixed-point arithmetic	Min. 2 µs	
• Floating-point arithmetic	Min. 6 µs	
<b>Timers/counters and their retentivity</b>	<b>CPU 314C-2 PtP</b>	<b>CPU 314C-2 DP</b>
S7 counters	256	
• Retentive memory	Configurable	
• Default	from C0 to C7	
• Counting range	0 to 999	
IEC Counters	Yes	
• Type	SFB	
• Number	unlimited (limited only by RAM size)	
S7 timers	256	
• Retentive memory	Configurable	
• Default	Not retentive	
• Timer range	10 ms to 9990 s	
IEC Timers	Yes	
• Type	SFB	
• Number	unlimited (limited only by RAM size)	

Technical data		
	CPU 314C-2 PtP	CPU 314C-2 DP
<b>Data areas and their retentivity</b>	<b>CPU 314C-2 PtP</b>	<b>CPU 314C-2 DP</b>
Flag bits	256 bytes	
• Retentive memory	Configurable	
• Default retentivity	MB0 to MB15	
Clock flag bits	8 (1 byte per flag bit)	
Data blocks	Max. 511 (DB 1 to DB 511)	
• Length	max. 16 KB	
Local data per priority class	max. 510 bytes	
<b>Blocks</b>	<b>CPU 314C-2 PtP</b>	<b>CPU 314C-2 DP</b>
Total	1024 (DBs, FCs, FBs) The maximum number of blocks that can be loaded may be reduced if you are using another MMC.	
OBs	See the Instruction List	
• Length	max. 16 KB	
Nesting depth		
• Per priority class	8	
• additional within an error OB	4	
FBs	Max. 512 (FB 0 to FB 511)	
• Length	max. 16 KB	
FCs	Max. 512 (FC 0 to FC 511)	
• Length	max. 16 KB	
<b>Address areas (I/O)</b>	<b>CPU 314C-2 PtP</b>	<b>CPU 314C-2 DP</b>
Total I/O address area	max. 1024 bytes/1024 bytes (can be freely addressed)	max. 1024 bytes/1024 bytes (can be freely addressed)
• Distributed	None	max. 1000 bytes
I/O process image	128 bytes/128 bytes	128 bytes/128 bytes
Digital channels	Max. 1016	Max. 8192
• of those local	Max. 992	Max. 992
• Integrated channels	24 DI / 16 DO	24 DI / 16 DO
Analog channels	Max. 253	Max. 512
• of those local	Max. 248	Max. 248
• Integrated channels	4 + 1 AI / 2 AO	4 + 1 AI / 2 AO
<b>Assembly</b>	<b>CPU 314C-2 PtP</b>	<b>CPU 314C-2 DP</b>
Racks	Max. 4	
Modules per rack	max. 8; max. 7 in rack 3	
Number of DP masters		
• Integrated	No	1
• via CP	Max. 1	Max. 1

Technical data		
	CPU 314C-2 PtP	CPU 314C-2 DP
Number of function modules and communication processors you can operate		
• FM	Max. 8	
• CP (PtP)	Max. 8	
• CP (LAN)	Max. 10	
<b>Time-of-day</b>	<b>CPU 314C-2 PtP</b>	<b>CPU 314C-2 DP</b>
Real-time clock	Yes (HW clock)	
• Buffered	Yes	
• Buffered period	Typically 6 weeks (at an ambient temperature of 40 °C)	
• Behavior of the clock on expiration of the buffered period	The clock keeps running, continuing at the time-of-day it had when power was switched off.	
• Accuracy	Deviation per day < 10 s	
Operating hours counter	1	
• Number	0	
• Value range	2 <sup>31</sup> hours (if SFC 101 is used)	
• Granularity	1 hour	
• Retentive	Yes; must be manually restarted after every restart	
Clock synchronization	Yes	
• In the PLC	Master	
• On MPI	Master/slave	
<b>S7 signaling functions</b>	<b>CPU 314C-2 PtP</b>	<b>CPU 314C-2 DP</b>
Number of stations that can log in for signaling functions (e.g. OS)	Max. 12 (depends on the number of connections configured for PG / OP and S7 basic communication)	
Process diagnostics messages	Yes	
• Simultaneously enabled interrupt S blocks	Max. 40	
<b>Testing and commissioning functions</b>	<b>CPU 314C-2 PtP</b>	<b>CPU 314C-2 DP</b>
Status/control variables	Yes	
• Variables	Inputs, outputs, memory bits, DBs, timers, counters	
• Number of variables	Max. 30	
– of those as status variable	Max. 30	
– of those as control variable	Max. 14	
Forcing	Yes	
• Variables	Inputs, outputs	
• Number of variables	Max. 10	
Block status	Yes	
Single step	Yes	
Breakpoints	2	
Diagnostic buffer	Yes	
• Number of entries (not configurable)	Max. 100	

Technical data		
	CPU 314C-2 PtP	CPU 314C-2 DP
<b>Communication functions</b>	<b>CPU 314C-2 PtP</b>	<b>CPU 314C-2 DP</b>
PG/OP communication	Yes	
Global data communication	Yes	
• Number of GD circuits	4	
• Number of GD packets	Max. 4	
– Sending stations	Max. 4	
– Receiving stations	Max. 4	
• Length of GD packets	max. 22 bytes	
– Consistent data	22 bytes	
S7 basic communication	Yes	
• User data per request	max. 76 bytes	
– Consistent data	76 bytes (for X_SEND or X_RCV) 64 bytes (for X_PUT or X_GET as the server)	
S7 communication		
• As server	Yes	
• as client	Yes (via CP and loadable FBs)	
• User data per request	max. 180 bytes (with PUT/GET)	
– Consistent data	64 bytes	
S5-compatible communication	Yes (via CP and loadable FCs)	
Number of connections	Max. 12	
can be used for		
• PG communication	Max. 11	
– Reserved (default)	1	
– Configurable	from 1 to 11	
• OP communication	Max. 11	
– Reserved (default)	1	
– Configurable	from 1 to 11	
• S7-based communication	Max. 8	
– Reserved (default)	8	
– Configurable	from 0 to 8	
Routing	No	Max. 4
<b>Interfaces</b>	<b>CPU 314C-2 PtP</b>	<b>CPU 314C-2 DP</b>
<b>1st interface</b>		
Type of interface	Integrated RS485 interface	
Physics	RS 485	
electrically isolated	No	
Interface power supply (15 to 30 VDC)	Max. 200 mA	
<b>Functionality</b>		
• MPI	Yes	
• PROFIBUS DP	No	
• Point-to-point communication	No	

Technical data		
	CPU 314C-2 PtP	CPU 314C-2 DP
<b>MPI</b>		
Number of connections	12	
Services		
• PG/OP communication	Yes	
• Routing	No	Yes
• Global data communication	Yes	
• S7 basic communication	Yes	
• S7 communication	Yes	
– As server	Yes	
– As client	No (but via CP and loadable FBs)	
• Transmission rates	max. 187.5 kbps	
<b>2nd interface</b>		
	CPU 314C-2 PtP	CPU 314C-2 DP
Type of interface	Integrated RS422/RS485 interface	Integrated RS485 interface
Physics	RS 422/485	RS 485
electrically isolated	Yes	Yes
Interface power supply (15 to 30 VDC)	No	Max. 200 mA
Number of connections	None	12
<b>Functionality</b>		
• MPI	No	No
• PROFIBUS DP	No	Yes
• Point-to-point communication	Yes	No
<b>DP master</b>		
Number of connections	–	12
Services		
• PG/OP communication	–	Yes
• Routing	–	Yes
• Global data communication	–	No
• S7 basic communication	–	No
• S7 communication	–	No
• Constant bus cycle time	–	Yes
• SYNC/FREEZE	–	Yes
• Enable/disable DP slaves	–	Yes
• DPV1	–	Yes
• Transmission rates	–	Up to 12 Mbps
• Number of DP slaves per station	–	Max. 32
• Address area	–	Max. 1 KB I / 1 KB O
• User data per DP slave	–	max. 244 bytes I / 244 bytes O

Technical data		
	CPU 314C-2 PtP	CPU 314C-2 DP
<b>DP slave</b>		
Number of connections	–	12
Services		
• PG/OP communication	–	Yes
• Routing	–	Yes (only if interface is active)
• Global data communication	–	No
• S7 basic communication	–	No
• S7 communication	–	No
• Direct data exchange	–	Yes
• Transmission rates	–	Up to 12 Mbps
• Intermediate memory	–	244 bytes I / 244 bytes O
• Automatic baud rate search	–	Yes (only if interface is passive)
• Address areas		Max. 32, with max. 32 bytes each
• DPV1	–	No
<b>GSD file</b>	–	The latest GSD file is available at: <a href="http://www.ad.siemens.de/support">http://www.ad.siemens.de/support</a> in the Product Support area
<b>Point-to-point communication</b>		
• Transmission rates	38.4 kbps half duplex 19.2 kbps full duplex	–
• Cable length	Max. 1200 m	–
• User program can control the interface	Yes	–
• The interface can trigger a break or an interrupt in the user program	Yes (message with break ID)	–
• Protocol driver	3964 (R); ASCII and RK512	–
<b>Programming</b>		
	CPU 314C-2 PtP	CPU 314C-2 DP
Programming language	LAD/FBD/STL	
Available instructions	see the Instruction List	
Nesting levels	8	
System functions (SFCs)	see the Instruction List	
System function blocks (SFBs)	see the Instruction List	
User program security	Yes	
<b>Integrated I/O</b>		
	CPU 314C-2 PtP	CPU 314C-2 DP
• Default addresses of the integrated		
– Digital inputs	124.0 to 126.7	
– Digital outputs	124.0 to 125.7	
– Analog inputs	752 to 761	
– Analog outputs	752 to 755	



Technical data		
	CPU 314C-2 PtP	CPU 314C-2 DP
<b>Integrated functions</b>		
Counters	4 channels (see the Manual <i>Technological Functions</i> )	
Frequency counters	4 channels, max. 60 kHz (see the Manual <i>Technological Functions</i> )	
Pulse outputs	4 channels for pulse width modulation, max. 2.5 kHz (see the Manual <i>Technological Functions</i> )	
Controlled positioning	1 channel (see the Manual <i>Technological Functions</i> )	
Integrated "Controlling" SFB	PID controller (see the Manual <i>Technological Functions</i> )	
<b>Dimensions</b>		
Mounting dimensions W x H x D (mm)	120 x 125 x 130	
Weight	approx. 676 g	
<b>Voltages and currents</b>		
Power supply (rated value)	24 VDC	
• Permitted range	20.4 V to 28.8 V	
Current consumption (no-load operation)	Typically 150 mA	
Inrush current	Typically 11 A	
Power consumption (nominal value)	800 mA	1000 mA
I <sup>2</sup> t	0.7 A <sup>2</sup> s	
External fusing of power supply lines (recommended)	LS switch type C min. 2 A, LS switch type B min. 4 A	
Power loss	Typically 14 W	

## 6.6 Technical data of the integrated I/O

### 6.6.1 Arrangement and usage of integrated I/Os

#### Introduction

www.DataSheet4U.com

Integrated I/Os of CPUs 31xC can be used for technological functions or as standard I/O. The figures below illustrate possible usage of I/Os integrated in the CPUs.

#### Reference

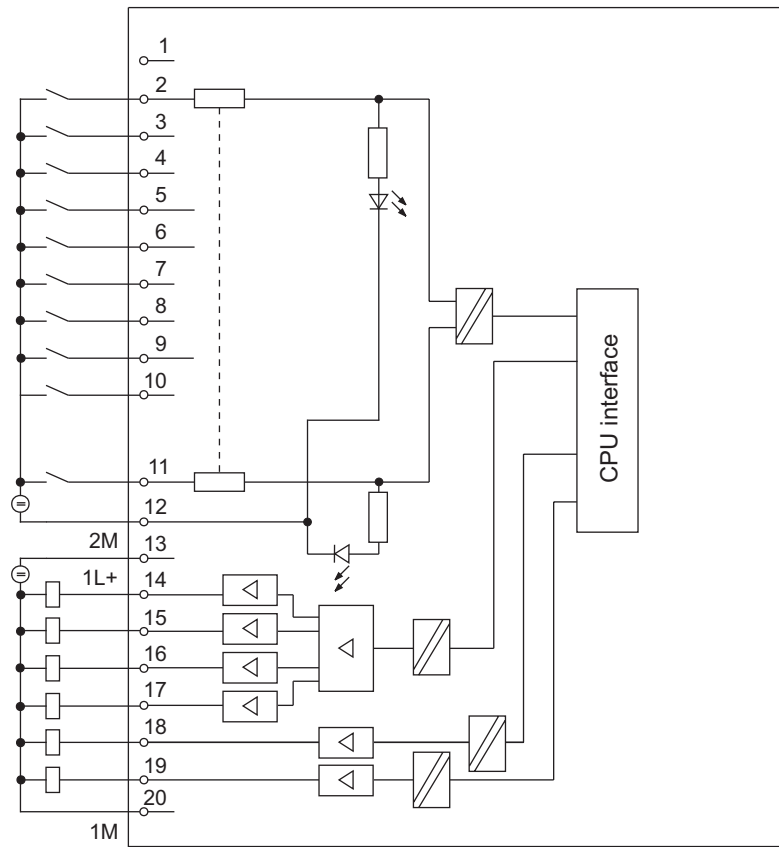
Further information on integrated I/O is found in the Manual *Technical Functions*.

#### CPU 312C: Pin-out of the integrated DI/DO (connector X11)

Standard	Interrupt input	Count	X11	
			Pin	Label
			1	
DI	X	Z0 (A)	2	DI+0.0
DI	X	Z0 (B)	3	DI+0.1
DI	X	Z0 (HW gate)	4	DI+0.2
DI	X	Z1 (A)	5	DI+0.3
DI	X	Z1 (B)	6	DI+0.4
DI	X	Z1 (HW gate)	7	DI+0.5
DI	X	Latch 0	8	DI+0.6
DI	X	Latch 1	9	DI+0.7
DI	X		10	DI+1.0
DI	X		11	DI+1.1
			12	2 M
			13	1L+
DO		V0	14	DO+0.0
DO		V1	15	DO+0.1
DO			16	DO+0.2
DO			17	DO+0.3
DO			18	DO+0.4
DO			19	DO+0.5
			20	1 M

- Zn Counter n
- A, B Encoder signals
- Vn Comparator n
- X Pin usable if not assigned to technology functions
- HW gate Gate control
- Latch Store counter distance

### Block diagram of the integrated digital I/O



www.DataSheet4U.com

CPU 313C, CPU 313C-2 DP/PtP, CPU 314C-2 DP/PtP: DI/DO (connectors X11 and X12)

X11 of CPU 313C-2 PtP/DP  
X12 of CPU 314C-2 PtP/DP

Standard DI	Interrupt input	Count	Positioning	1)				Positioning		Count	Standard DO
				1 $\emptyset$	1L+	2L+	$\emptyset$ 21	Digital	Analog		
X	X	Z0 (A)	A 0	2 $\emptyset$	DI+0.0	DO+0.0	$\emptyset$ 22			V0	X
X	X	Z0 (B)	B 0	3 $\emptyset$	DI+0.1	DO+0.1	$\emptyset$ 23			V1	X
X	X	Z0 (HW gate)	N 0	4 $\emptyset$	DI+0.2	DO+0.2	$\emptyset$ 24			V2	X
X	X	Z1 (A)	Prob 0	5 $\emptyset$	DI+0.3	DO+0.3	$\emptyset$ 25			V3 1)	X
X	X	Z1 (B)	Bero 0	6 $\emptyset$	DI+0.4	DO+0.4	$\emptyset$ 26				X
X	X	Z1 (HW gate)		7 $\emptyset$	DI+0.5	DO+0.5	$\emptyset$ 27				X
X	X	Z2 (A)		8 $\emptyset$	DI+0.6	DO+0.6	$\emptyset$ 28		CONV_EN		X
X	X	Z2 (B)		9 $\emptyset$	DI+0.7	DO+0.7	$\emptyset$ 29		CONV_DIR		X
				10 $\emptyset$		2M	$\emptyset$ 30				
				11 $\emptyset$		3L+	$\emptyset$ 31				
X	X	Z2 (HW gate)		12 $\emptyset$	DI+1.0	DO+1.0	$\emptyset$ 32	R+			X
X	X	Z3 (A)		13 $\emptyset$	DI+1.1	DO+1.1	$\emptyset$ 33	R-			X
X	X	Z3 (B)		14 $\emptyset$	DI+1.2	DO+1.2	$\emptyset$ 34	Rapid			X
X	X	Z3 (HW gate)		15 $\emptyset$	DI+1.3	DO+1.3	$\emptyset$ 35	Creep			X
X	X	Z0 (Latch)		16 $\emptyset$	DI+1.4	DO+1.4	$\emptyset$ 36				X
X	X	Z1 (Latch)		17 $\emptyset$	DI+1.5	DO+1.5	$\emptyset$ 37				X
X	X	Z2 (Latch)		18 $\emptyset$	DI+1.6	DO+1.6	$\emptyset$ 38				X
X	X	Z3 (Latch)	1)	19 $\emptyset$	DI+1.7	DO+1.7	$\emptyset$ 39				X
				20 $\emptyset$	1M	3M	$\emptyset$ 40				

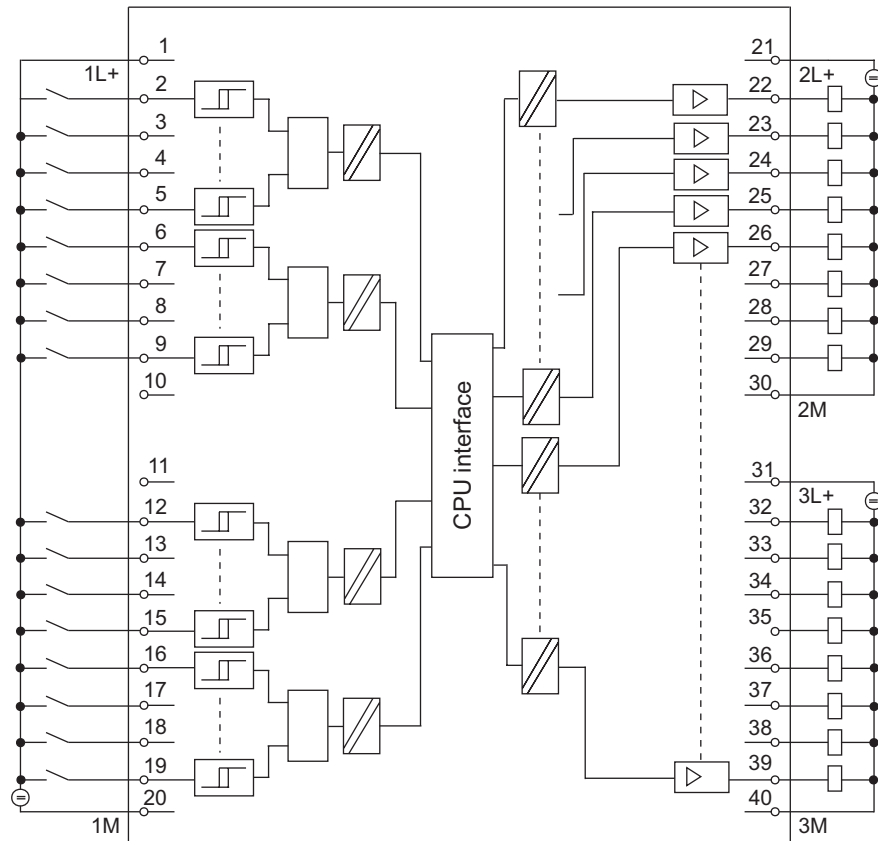
- Zn Counter n
- A, B Encoder signals
- HW gate Gate control
- Latch Store counter distance
- Vn Comparator n
- Prob 0 Measuring probe 0
- Bero 0 Reference point switch 0
- R+, R- Directional signal
- Rapid Rapid traverse
- Creep Creep speed
- CONV\_EN Power section enable
- CONV\_DIR Directional signal (only with control type "voltage 0 to 10 V or current from 0 to 10 mA and directional signal")
- X Pin usable if not assigned to technology functions

1) CPU 314C-2 only

Reference

Details are found in the Manual *Technical Functions* under *Counting, Frequency Measurement and Pulse Width Modulation*

Block diagram of integrated digital I/O of CPUs 313C/313C-2/314C-2

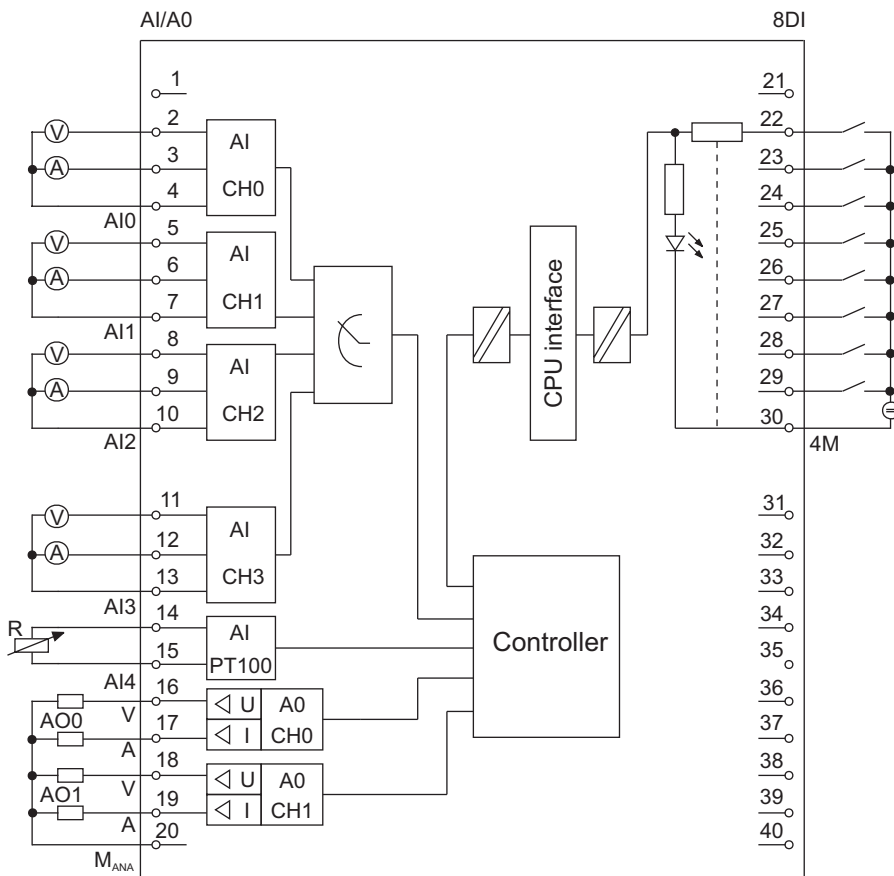


CPU 313C/314C-2: Pin-out of the integrated AI/AO and DI (connector X11)

Standard		Positioning	X11				Standard DI	Interrupt input
			1 ∅			∅ 21		
AI (Ch0)	V		2 ∅	PEW <sub>x+0</sub>	DI+2.0	∅ 22	X	X
	I		3 ∅		DI+2.1	∅ 23	X	X
	C		4 ∅		DI+2.2	∅ 24	X	X
AI (Ch1)	V		5 ∅	PEW <sub>x+2</sub>	DI+2.3	∅ 25	X	X
	I		6 ∅		DI+2.4	∅ 26	X	X
	C		7 ∅		DI+2.5	∅ 27	X	X
AI (Ch2)	V		8 ∅	PEW <sub>x+4</sub>	DI+2.6	∅ 28	X	X
	I		9 ∅		DI+2.7	∅ 29	X	X
	C		10 ∅		4M	∅ 30		
AI (Ch3)	V		11 ∅	PEW <sub>x+6</sub>		∅ 31		
	I		12 ∅			∅ 32		
	C		13 ∅			∅ 33		
PT 100 (Ch4)			14 ∅	PEW <sub>x+8</sub>		∅ 34		
AO (Ch0)	V	Control output 0	16 ∅	PAW <sub>x+0</sub>		∅ 36		
	A		17 ∅			∅ 37		
AO (Ch1)	V		18 ∅	PAW <sub>x+2</sub>		∅ 38		
	A		19 ∅			∅ 39		
			20 ∅	M <sub>ANA</sub>		∅ 40		

1) CPU 314C-2 only

Block diagram of integrated digital/analog I/O of CPUs 313C/314C-2



### **Simultaneous usage of technological functions and standard I/O**

Technological functions and standard I/O can be used simultaneously with appropriate hardware. For example, you can use all digital inputs not used for counting functions as standard DI.

Read access to inputs used by technological functions is possible. Write access to outputs used by technological functions is not possible.

### **See also**

[www.DataSheet4U.com](http://www.DataSheet4U.com)

CPU 312C (Page 6-3)

CPU 313C (Page 6-8)

CPU 313C-2 PtP and CPU 313C-2 DP (Page 6-14)

CPU 314C-2 PtP and CPU 314C-2 DP (Page 6-21)

### 6.6.2 Analog I/O

#### Wiring of the current/voltage inputs

The figure below shows the wiring diagram of the current/voltage inputs operated with 2-/4-wire measuring transducers.

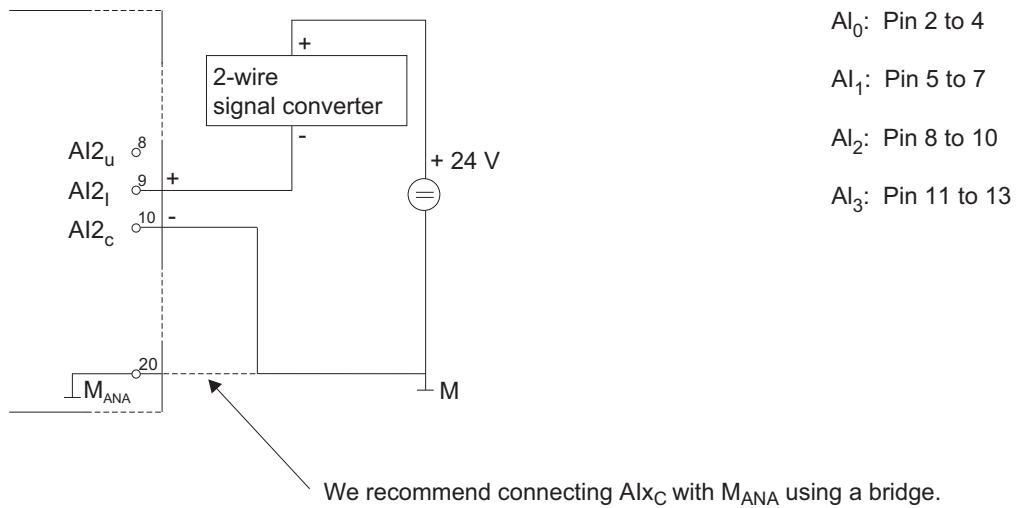


Figure 6-1 Connection of a 2-wire measuring transducer to an analog current/voltage input of CPU 313C/314C-2

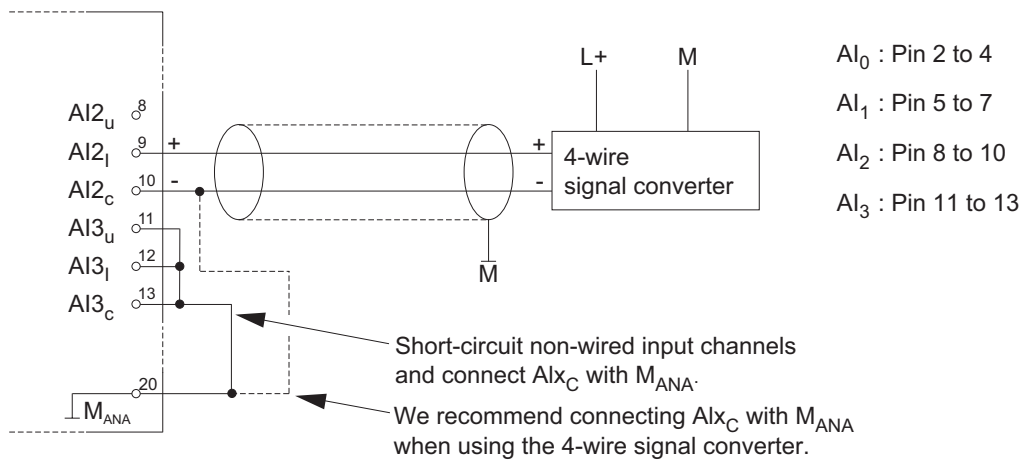


Figure 6-2 Connection of a 4-wire measuring transducer to an analog current/voltage input of CPU 313C/314C-2



## Measurement principle

31xC CPUs use the measurement principle of actual value encoding. Here, they operate with a sampling rate of 1 kHz. That is, a new value is available at the peripheral input word register once every millisecond. This value can then be read via user program (e.g. L PEW). The "previous" value is read again if access times are shorter than 1 ms.

## Integrated hardware low-pass filter

An integrated low-pass filter attenuates analog input signals of channel 0 to 3. They are attenuated according to the trend in the figure below.

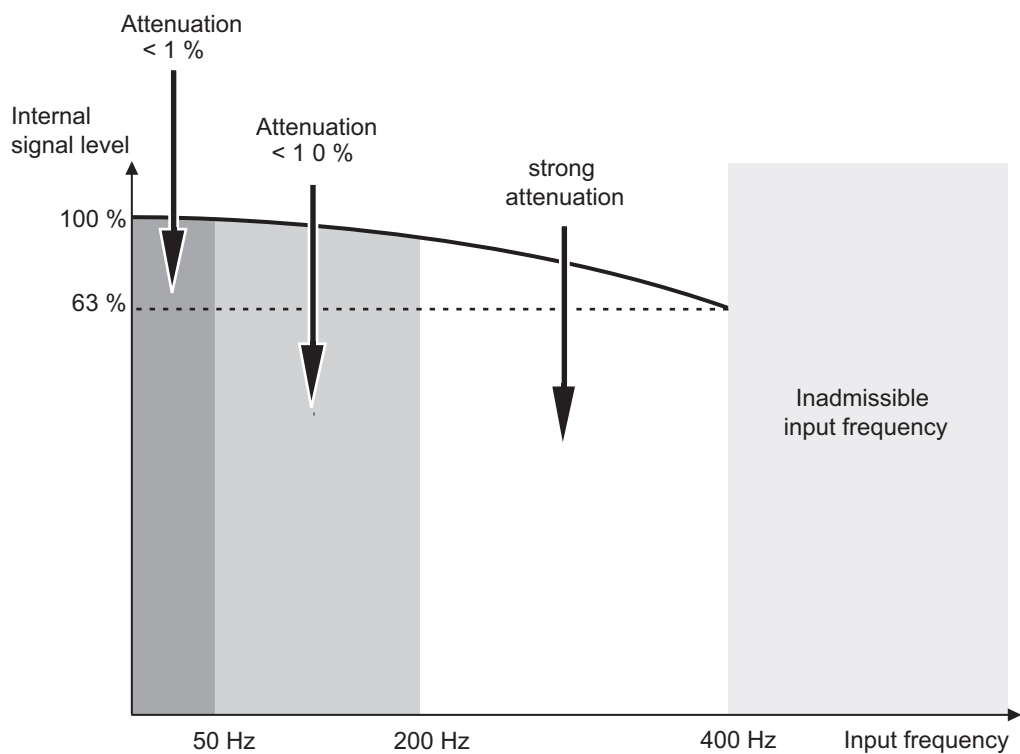


Figure 6-3 Low-pass characteristics of the integrated filter

---

### Note

The maximum frequency of the input signal is 400 Hz.

---

### Input filters (software filter)

The current / voltage inputs have a software filter for the input signals which can be programmed with STEP 7. It filters the configured interference frequency (50/60 Hz) and multiples thereof.

The selected interference suppression also determines the integration time.

At an interference suppression of 50 Hz the software filter forms the average based on the last 20 measurements and saves the result as a measurement value.

You can suppress interference frequencies (50 Hz or 60 Hz) according to the parameters set in STEP 7. A setting of 400 Hz will not suppress interference.

An integrated low-pass filter attenuates analog input signals of channel 0 to 3.

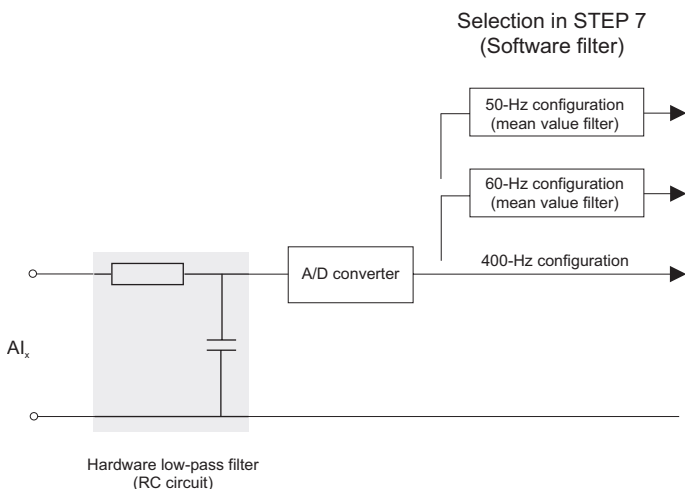


Figure 6-4 Principle of interference suppression with STEP 7

In the two graphics below we illustrate how the 50 Hz and 60 Hz interference suppression work

Example of a 50-Hz parasitic frequency suppression (integration time corresponds to 20 ms)

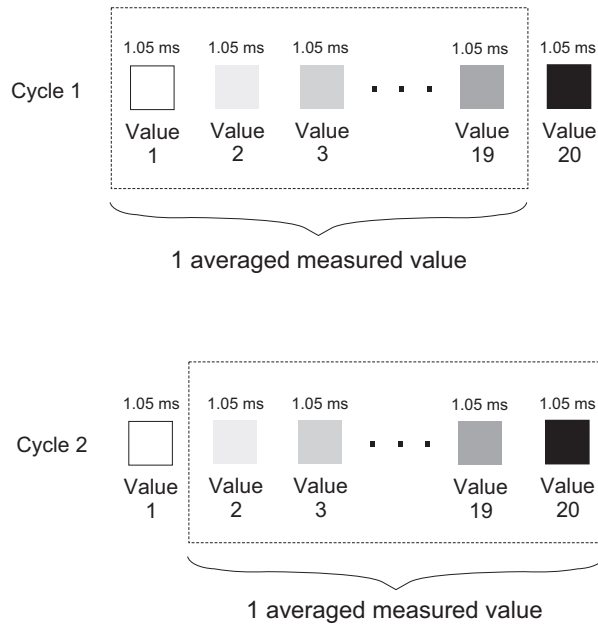


Figure 6-5 50 Hz interference suppression

Example of a 60-Hz parasitic frequency suppression (integration time corresponds to 16.7 ms)

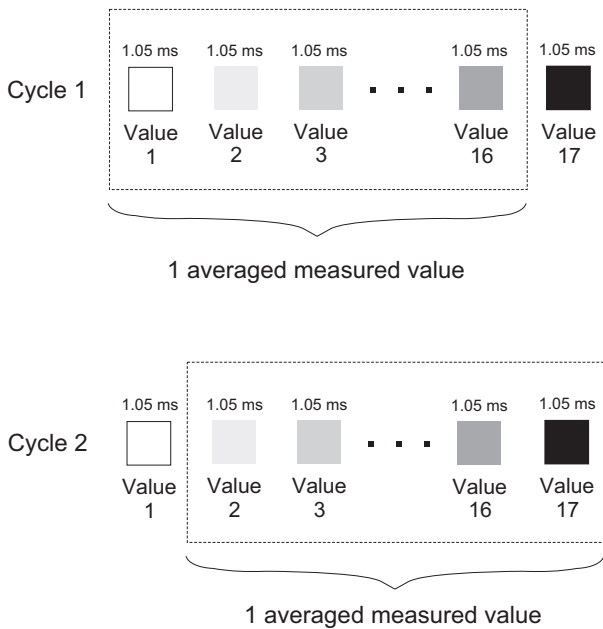


Figure 6-6 60 Hz interference suppression

**Note**  
 If the interference frequency is not 50/60 Hz or a multiple thereof, the input signal must be filtered externally.  
 In this case, 400 Hz frequency suppression must be configured for the respective input. This is equivalent to a "Deactivation" of the software filter.

**Inputs not connected**

The three inputs of a current/voltage analog output channel that is not connected should be bypasses and connected to M<sub>ANA</sub> (pin 20 of the front connector). This ensures maximum interference resistance for these analog inputs.

**Outputs not connected**

In order to disconnect unused analog outputs from power, you must disable and leave them open during parameter assignment with STEP 7.

**Reference**

Details (visualization and processing of analog values, for example) are found in chapter 4 of the *Module Data Reference Manual*.

## 6.6.3 Configuration

### Introduction

You configure the integrated I/O of CPU 31xC with STEP 7. Always make these settings when the CPU is in STOP. The generated parameters are downloaded from the PG to the S7-300 and written to CPU memory .

You can also choose to change the parameters at SFC 55 in the user program (see the Reference Manual *System and Standard Functions*). Refer to the structure of record 1 for the respective parameters.

www.DataSheet4U.com

### Parameters of standard DI

The table below gives you an overview of the parameters for standard digital inputs.

Table 6-7 Parameters of standard DI

Parameters	Value range	Default	Range of efficiency
Input delay (ms)	0,1/0,5/3/15	3	Channel group

The table below gives you an overview of the parameters when using digital inputs as interrupt inputs.

Table 6-8 Parameters of the interrupt inputs

Parameters	Value range	Default	Range of efficiency
Interrupt input	Disabled / positive edge	disabled	digital input
Interrupt input	Disabled/ negative edge	disabled	digital input

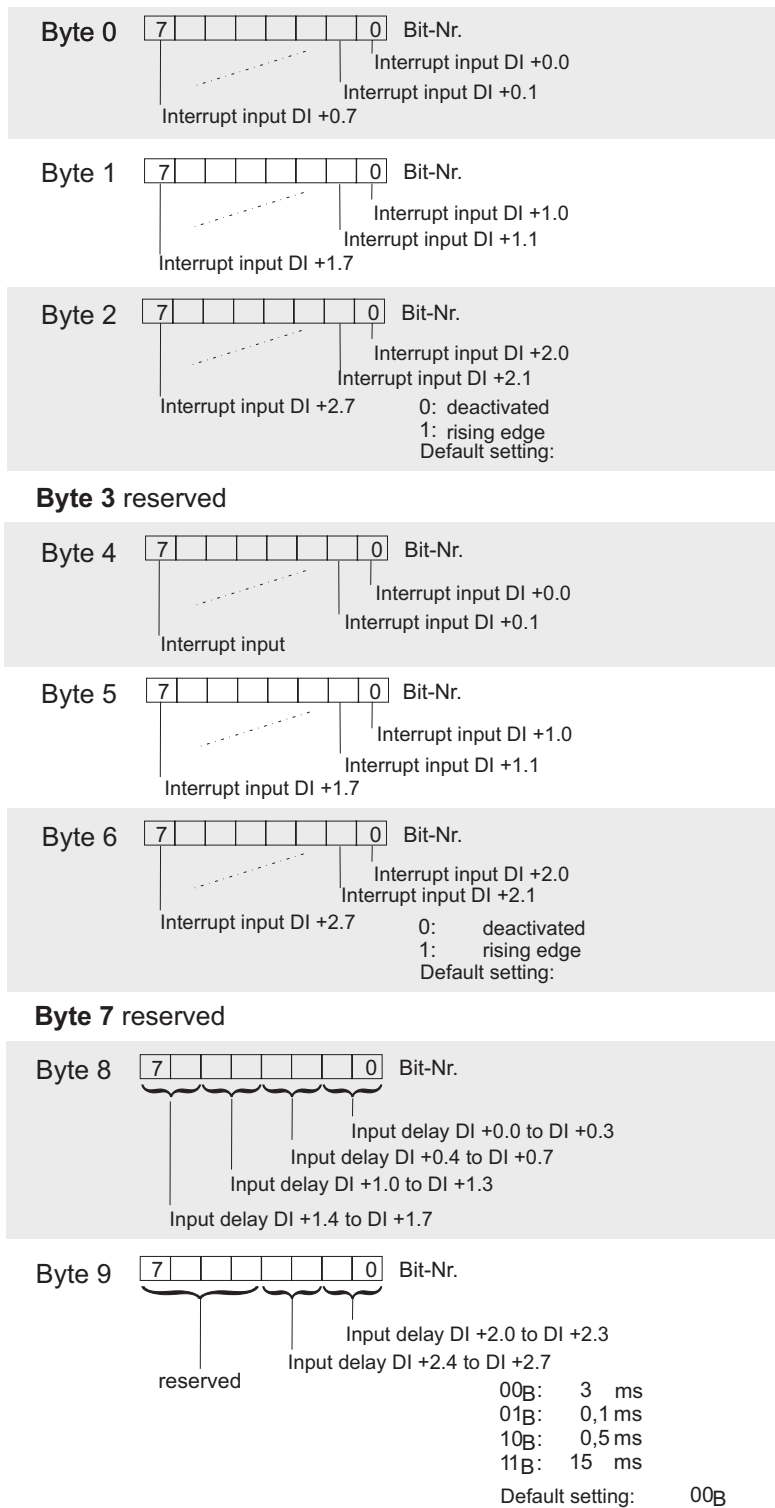


Figure 6-7 Structure of record 1 for standard DI and interrupt inputs (length of 10 bytes)

### Parameters of standard DO

There are no parameters for standard digital outputs.

### Parameters of standard AI

The table below gives you an overview of the parameters for standard analog inputs.

Table 6-9 Parameters of standard AI

Parameters	Value range	Default	Range of efficiency
Integration time (ms)	2,5/16,6/20	20	Channel
Interference suppression (Hz) (channel 0 to 3)	400/60/50	50	Channel
Measurement range (channel 0 to 3)	Disabled/ +/- 20 mA/ 0 ... 20 mA/ 4 ... 20 mA/ +/- 10 V/ 0 ... 10 V	+/- 10 V	Channel
Type of measurement (channel 0 to 3)	Disabled/ V voltage/ I current	U voltage	Channel
Unit of measurement (channel 4)	Celsius/Fahrenheit/ Kelvin	Celsius	Channel
Measurement range (Pt 100 input; channel 4)	Disabled/ Pt 100/600 Ω	600 Ω	Channel
Type of measurement (Pt 100 input; channel 4)	Disabled/ resistor/ thermocouple	Resistance	Channel

### Reference

See also Chapter 4.3 in the *Module Data Reference Manual*.

**Parameters of standard AO**

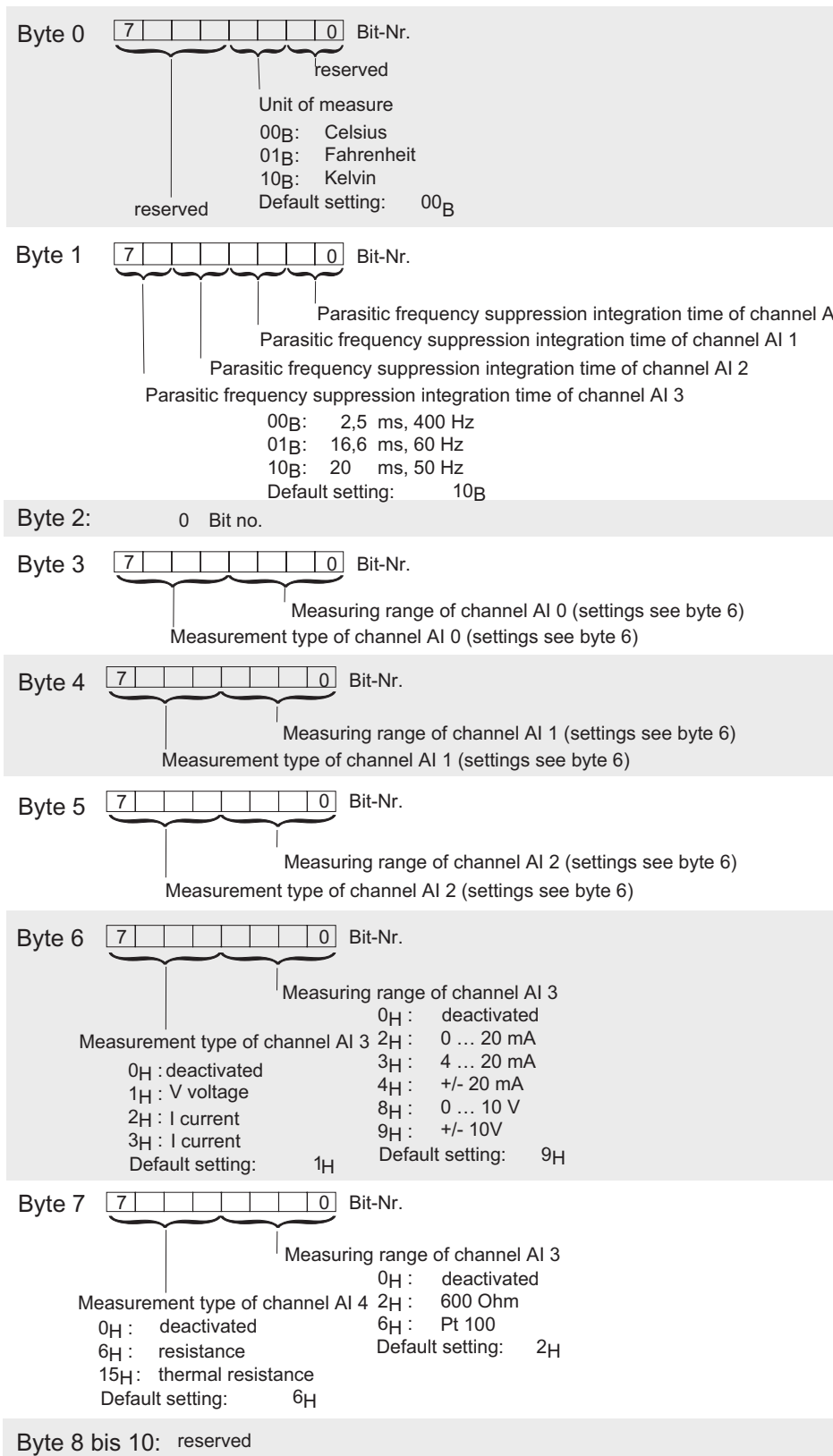
The table below gives you an overview of standard analog output parameters (see also Chapter 4.3 in the *Module Data Reference Manual*).

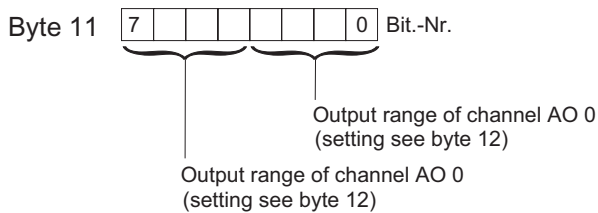
Table 6-10 Parameters of standard AO

Parameters	Value range	Default	Range of efficiency
Output range (channel 0 to 1)	Disabled/ +/- 20 mA/ 0 ... 20 mA/ 4 ... 20 mA/ +/- 10 V/ 0 ... 10 V	+/- 10 V	Channel
Type of output (channel 0 to 1)	Disabled/ V voltage/ I current	U voltage	Channel

www.DataSheet4U.com







www.DataSheet4U.com

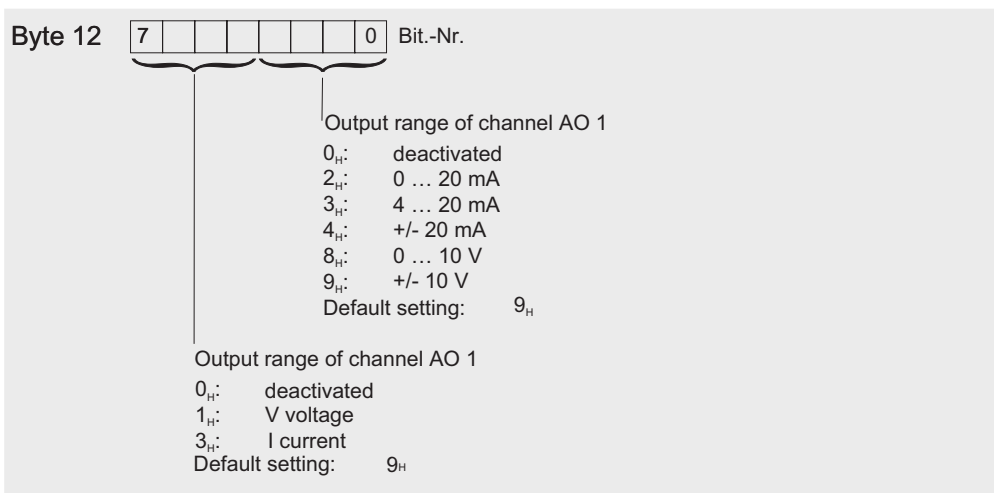


Figure 6-8 Structure of record 1 for standard AI/AO (length of 13 bytes)

**Parameter for technological functions**

The parameters for the respective function are found in the Manual *Technological Functions*.

## 6.6.4 Interrupts

### Interrupt inputs

All digital inputs of the on-board I/O of CPUs 31xC can be used as interrupt inputs.

You can specify interrupt behavior for each individual input in your parameter declaration. Options are:

- no interrupt
- Interrupt at the positive edge
- Interrupt at the negative edge
- Interrupt at the positive and negative edge

---

#### Note

Every channel will hold one event if the rate of incoming interrupts exceeds the handling capacity of OB40. Further events (interrupts) will be lost, without diagnostics or explicit message.

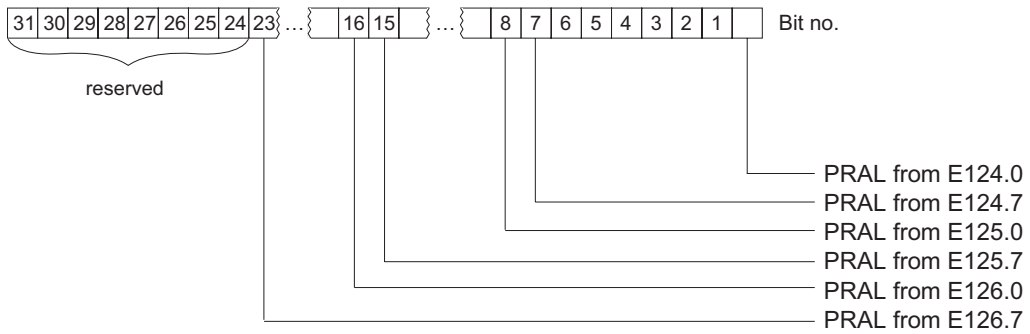
---

### Start information for OB40

The table below shows the relevant temporary variables (TEMP) of OB40 for the interrupt inputs of 31xC CPUs. A description of process interrupt OB 40 is found in the Reference Manual *System and Standard Functions*.

Table 6-11 Start information for OB40, relating to the interrupt inputs of the integrated I/O

Byte	Variables	Data type		Description
6/7	OB40_MDL_ADDR	WORD	B#16#7C	Address of the interrupt-triggering module (here: default addresses of the digital inputs)
8 on	OB40_POINT_ADDR	DWORD	see the figure below	Displaying the interrupt-triggering integrated inputs



PRAL: process interrupt

Inputs are designated with default addresses.

Figure 6-9 Displaying the statuses of CPU 31xC interrupt inputs

PRAL: process interrupt

The inputs are assigned default addresses.

### 6.6.5 Diagnostics

#### Standard I/O

Diagnostic data is not available for integrated I/O which is operated as standard I/O (see also the Reference Manual *Module Data*).

#### Technological functions

Diagnostics options for the respective technological function are found in the Manual *Technological Functions*.

### 6.6.6 Digital inputs

#### Introduction

This section provides the specifications for the digital inputs of CPUs 31xC.

The table includes the following CPUs:

- under CPU 313C-2, the CPU 313C-2 DP and CPU 313C-2 PtP
- under CPU 314C-2, the CPU 314C-2 DP and CPU 314C-2 PtP

## Technical data

Table 6-12 Technical data of digital inputs

Technical data				
	CPU 312C	CPU 313C	CPU 313C-2	CPU 314C-2
<b>Module-specific data</b>				
Number of inputs	10	24	16	24
<ul style="list-style-type: none"> <li>Number of these inputs which can be used for technological functions</li> </ul>	8	12	12	16
Cable length				
<ul style="list-style-type: none"> <li>Unshielded</li> </ul>	For standard DI: Max. 600 m For technological functions: No			
<ul style="list-style-type: none"> <li>Shielded</li> </ul>	For standard DI: Max. 1000 m For technological function at max. counting frequency			
	100 m	100 m	100 m	50 m
<b>Voltage, currents, potentials</b>				
Rated load voltage L+	24 VDC			
<ul style="list-style-type: none"> <li>Polarity reversal protection</li> </ul>	Yes			
Number of inputs which can be controlled simultaneously				
<ul style="list-style-type: none"> <li>Horizontal assembly                             <ul style="list-style-type: none"> <li>– up to 104 °F</li> <li>– up to 60 °C</li> </ul> </li> </ul>	10 5	24 12	16 8	24 12
<ul style="list-style-type: none"> <li>Vertical assembly                             <ul style="list-style-type: none"> <li>– up to 104 °F</li> </ul> </li> </ul>	5	12	8	12
Electrical isolation				
<ul style="list-style-type: none"> <li>Between channels and the backplane bus</li> </ul>	Yes			
<ul style="list-style-type: none"> <li>Between the channels</li> </ul>	No			
Permitted potential difference				
<ul style="list-style-type: none"> <li>Between different circuits</li> </ul>	75 VDC / 60 VAC			
Insulation test voltage	500 VDC			
Current consumption				
<ul style="list-style-type: none"> <li>On load voltage L+ (no-load)</li> </ul>	–	Max. 70 mA	Max. 70 mA	Max. 70 mA
<b>Status, interrupts, diagnostics</b>				
Status display	green LED per channel			
Interrupts	<ul style="list-style-type: none"> <li>Yes, if the corresponding channel is configured as interrupt input</li> <li>For using technological functions, please refer to the <i>Technological Functions</i> Manual.</li> </ul>			
Diagnostics functions	<ul style="list-style-type: none"> <li>no diagnostics when operated as standard I/O</li> <li>For using technological functions, please refer to the <i>Technological Functions</i> Manual.</li> </ul>			

6.6 Technical data of the integrated I/O

Technical data				
	CPU 312C	CPU 313C	CPU 313C-2	CPU 314C-2
<b>Data for the selection of an encoder for standard DI</b>	CPU 312C	CPU 313C	CPU 313C-2	CPU 314C-2
Input voltage				
• Rated value	24 VDC			
• For signal "1"	15 V to 30 V			
• For signal "0"	-3 V to 5 V			
Input current				
• For signal "1"	Typically 9 mA			
Delay of standard inputs				
• Configurable	Yes (0.1 / 0.5 / 3 / 15 ms)			
	You can reconfigure the input delay of the standard inputs during program runtime. Please note that your newly set filter time may only take effect after the previously set filter time has expired.			
• Rated value	3 ms			
For using technological functions: "Minimum pulse width/ minimum pause between pulses at maximum counting frequency"	48 µs	16 µs	16 µs	8 µs
Input characteristics curve	to IEC 1131, type 1			
Connection of 2-wire BEROs	Possible			
• Permitted quiescent current	Max. 1,5 mA			

6.6.7 Digital outputs

Introduction

This chapter contains the specifications for the digital outputs of CPUs 31xC.

The table includes the following CPUs:

- under CPU 313C-2, the CPU 313C-2 DP and CPU 313C-2 PtP
- under CPU 314C-2, the CPU 314C-2 DP and CPU 314C-2 PtP

Fast digital outputs

Technological functions use fast digital outputs.

## Technical data

Table 6-13 Technical data of digital outputs

Technical data				
	CPU 312C	CPU 313C	CPU 313C-2	CPU 314C-2
<b>Module-specific data</b>				
Number of outputs	6	16	16	16
• Of those are fast outputs	2	4	4	4
	<b>Caution:</b> You cannot connect the high-speed outputs of your CPU in parallel.			
Cable length				
• Unshielded	Max. 600 m			
• Shielded	Max. 1000 m			
<b>Voltage, currents, potentials</b>				
Rated load voltage L+	24 VDC			
• Polarity reversal protection	No			
Total current of outputs (per group)				
• Horizontal assembly				
– up to 104 °F	Max. 2.0 A	Max. 3.0 A	Max. 3.0 A	Max. 3.0 A
– up to 60 °C	Max. 1,5 A	Max. 2.0 A	Max. 2.0 A	Max. 2.0 A
• Vertical assembly				
– up to 104 °F	Max. 1,5 A	Max. 2.0 A	Max. 2.0 A	Max. 2.0 A
<b>Electrical isolation</b>				
• Between channels and the backplane bus	Yes			
• Between the channels	No	Yes	Yes	Yes
– In groups of	–	8	8	8
<b>Permitted potential difference</b>				
• Between different circuits	75 VDC / 60 VAC			
Insulation test voltage	500 VDC			
<b>Current consumption</b>				
• with load voltage L+	Max. 50 mA	Max. 100 mA	Max. 100 mA	Max. 100 mA
<b>Status, interrupts, diagnostics</b>				
Status display	green LED per channel			
Interrupts	<ul style="list-style-type: none"> <li>no interrupts when operated as standard I/O</li> <li>For using technological functions, please refer to the <i>Technological Functions</i> Manual.</li> </ul>			
Diagnostics functions	<ul style="list-style-type: none"> <li>no diagnostics when operated as standard I/O</li> <li>For using technological functions, please refer to the <i>Technological Functions</i> Manual.</li> </ul>			

6.6 Technical data of the integrated I/O

Technical data				
	CPU 312C	CPU 313C	CPU 313C-2	CPU 314C-2
<b>Data for the selection of an actuator for standard DI</b>	CPU 312C	CPU 313C	CPU 313C-2	CPU 314C-2
Output voltage				
• For signal "1"	Min. L+ (-0.8 V)			
Output current				
• For signal "1"	0,5 A			
– Rated value	5 mA to 600 mA			
– Permitted range				
• For signal "0" (residual current)	Max. 0.5 mA			
Load impedance range	48 Ω to 4 kΩ			
Lamp load	Max. 5 W			
Parallel connection of 2 outputs				
• for redundant load control	Possible			
• for performance increase	Not possible			
Controlling of digital inputs	Possible			
Switching frequency				
• under resistive load	Max. 100 Hz			
• For inductive load to IEC 947-5, DC13	Max. 0.5 Hz			
• under lamp load	Max. 100 Hz			
• fast outputs under resistive load	Max. 2.5 kHz			
Inductive breaking voltage limited internally to	Typically (L+) - 48 V			
Short-circuit protection of the output	Yes, electronic			
• Response threshold	Typically 1 A			



## 6.6.8 Analog inputs

### Introduction

This chapter contains the specifications for analog outputs of CPUs 31xC.

The table includes the following CPUs:

- CPU 313C
- CPU 314C-2 DP
- CPU 314C-2 PtP

### Technical data

Table 6-14 Technical data of analog inputs

Technical data	
<b>Module-specific data</b>	
Number of inputs	4 channels with current/voltage input 1 channel with resistance input
Cable length	
• Shielded	Max. 100 m
<b>Voltage, currents, potentials</b>	
Resistance input	
• No-load voltage	Typically 2.5 V
• Measurement current	Typically 1.8 mA to 3.3 mA
Electrical isolation	
• Between channels and the backplane bus	Yes
• Between the channels	No
Permitted potential difference	
• Between inputs (AI <sub>C</sub> ) and M <sub>ANA</sub> (U <sub>CM</sub> )	8.0 VDC
• between M <sub>ANA</sub> and M <sub>internal</sub> (U <sub>ISO</sub> )	75 VDC / 60 VAC
Insulation test voltage	600 VDC
<b>Analog value generation</b>	
Measurement principle	Actual value encoding (successive approximation)
Integration time/conversion time/resolution (per channel)	
• Configurable	Yes
• Integration time in ms	2,5 / 16,6 / 20
• Permitted input frequency	Max. 400 Hz
• Resolution (including overdrive)	11 bits + signed bit
• Suppression of interference frequency f1	400 / 60 / 50 Hz

6.6 Technical data of the integrated I/O

<b>Technical data</b>	
Time constant of the input filter	0,38 ms
Basic processing time	1 ms
<b>Interference suppression, error limits</b>	
Interference voltage suppression for $f = nx$ ( $f1 \pm 1 \%$ ), ( $f1 =$ interference frequency), $n = 1, 2$	
<ul style="list-style-type: none"> <li>Common-mode interference (<math>U_{CM} &lt; 1.0</math> V)</li> </ul>	> 40 dB
<ul style="list-style-type: none"> <li>Feedback interference (peak value of the interference &lt; rated value of the input range)</li> </ul>	> 30 dB
Crosstalk between the inputs	> 60 dB
Operational error limits (across the temperature range, in relation to input range)	
<ul style="list-style-type: none"> <li>Voltage/current</li> </ul>	< 1 %
<ul style="list-style-type: none"> <li>Resistance</li> </ul>	< 5 %
Basic error limit (operational limit at 25 °C, in relation to input range)	
<ul style="list-style-type: none"> <li>Voltage/current</li> </ul>	< 0,7 %
<ul style="list-style-type: none"> <li>Resistance</li> </ul>	< 3 %
Temperature error (in relation to input range)	$\pm 0,006$ %/K
Linearity error (referred to input range)	$\pm 0,06$ %
Repeat accuracy (in transient state at 25 °C, in relation to input range)	$\pm 0,06$ %
<b>Status, interrupts, diagnostics</b>	
Interrupts	<ul style="list-style-type: none"> <li>no interrupts when operated as standard I/O</li> </ul>
Diagnostics functions	<ul style="list-style-type: none"> <li>no diagnostics when operated as standard I/O</li> <li>For using technological functions, please refer to the <i>Technological Functions Manual</i>.</li> </ul>
<b>Encoder selection data</b>	
Input ranges (rated value)/input resistance	
<ul style="list-style-type: none"> <li>Voltage</li> </ul>	$\pm 10$ V/100 k $\Omega$ 0 V to 10 V/100 k $\Omega$
<ul style="list-style-type: none"> <li>Current</li> </ul>	$\pm 20$ mA/50 $\Omega$ 0 mA to 20 mA/50 $\Omega$ 4 mA to 20 mA/50 $\Omega$
<ul style="list-style-type: none"> <li>Resistance</li> </ul>	0 $\Omega$ to 600 $\Omega$ /10 M $\Omega$
<ul style="list-style-type: none"> <li>Resistance thermometer</li> </ul>	Pt 100/10 M $\Omega$
Permitted continuous input voltage (destruction limit)	
<ul style="list-style-type: none"> <li>For voltage inputs</li> </ul>	Max. 30 V
<ul style="list-style-type: none"> <li>For current inputs</li> </ul>	Max. 2.5 V
Permitted continuous input current (destruction limit)	
<ul style="list-style-type: none"> <li>For voltage inputs</li> </ul>	Max. 0,5 mA;
<ul style="list-style-type: none"> <li>For current inputs</li> </ul>	Max. 50 mA;

Technical data	
Connection of signal generators	
• For voltage measurement	Possible
• For current measurement – as 2-wire measuring transducer – as 4-wire measuring transducer	Possible, with external power supply Possible
• for measuring resistance – with 2-wire connection – with 3-wire connection – with 4-wire connection	Possible, without compensation of cable resistance Not possible Not possible
Linearization of the characteristics trend	
• For resistance thermometers	Pt 100
Temperature compensation	
No	
Technical unit for temperature measurement	
Degrees Celsius/Fahrenheit/Kelvin	

## 6.6.9 Analog outputs

### Introduction

This chapter contains the specifications for digital outputs of CPUs 31xC.

The table includes the following CPUs:

- CPU 313C
- CPU 314C-2 DP
- CPU 314C-2 PtP

### Technical data

Table 6-15 Technical data of analog outputs

Technical data	
<b>Module-specific data</b>	
Number of outputs	2
Cable length	
• Shielded	Max. 200 m
<b>Voltage, currents, potentials</b>	
Rated load voltage L+	24 VDC
• Polarity reversal protection	Yes
Electrical isolation	
• Between channels and the backplane bus	Yes
• Between the channels	No

6.6 Technical data of the integrated I/O

Technical data	
Permitted potential difference	
<ul style="list-style-type: none"> <li>between <math>M_{ANA}</math> and <math>M_{internal}</math> (<math>U_{ISO}</math>)</li> </ul>	75 VDC / 60 VAC
Insulation test voltage	600 VDC
Analog value generation	
Resolution (including overdrive)	11 bits + signed bit
Conversion time (per channel)	1 ms
Settling time	
<ul style="list-style-type: none"> <li>with resistive load</li> </ul>	0,6 ms
<ul style="list-style-type: none"> <li>With capacitive load</li> </ul>	1,0 ms
<ul style="list-style-type: none"> <li>With inductive load</li> </ul>	0.5 ms
Interference suppression, error limits	
Crosstalk between the outputs	> 60 dB
Operational error limits (across the temperature range, in relation to output range)	
<ul style="list-style-type: none"> <li>Voltage/current</li> </ul>	± 1 %
Basic error limit (operational limit at 25 °C, in relation to output range)	
<ul style="list-style-type: none"> <li>Voltage/current</li> </ul>	± 0,7 %
Temperature error (in relation to output range)	± 0.01 %/K
Linearity error (in relation to output range)	± 0,15 %
Repeat accuracy (in transient state at 25 °C, in relation to output range)	± 0,06 %
Output ripple; bandwidth 0 to 50 kHz (in relation to output range)	± 0,1 %
Status, interrupts, diagnostics	
Interrupts	<ul style="list-style-type: none"> <li>no interrupts when operated as standard I/O</li> <li>For using technological functions, please refer to the <i>Technological Functions</i> Manual.</li> </ul>
Diagnostics functions	<ul style="list-style-type: none"> <li>no diagnostics when operated as standard I/O</li> <li>For using technological functions, please refer to the <i>Technological Functions</i> Manual.</li> </ul>
Actuator selection data	
Output range (rated values)	
<ul style="list-style-type: none"> <li>Voltage</li> </ul>	± 10 V 0 V to 10 V
<ul style="list-style-type: none"> <li>Current</li> </ul>	± 20 mA 0 mA to 20 mA 4 mA to 20 mA
Load resistance (within output rating)	
<ul style="list-style-type: none"> <li>For voltage outputs                             <ul style="list-style-type: none"> <li>Capacitive load</li> </ul> </li> </ul>	min. 1 kΩ max. 0.1 μF
<ul style="list-style-type: none"> <li>For current outputs                             <ul style="list-style-type: none"> <li>Inductive load</li> </ul> </li> </ul>	max. 300 Ω 0.1 mH

Technical data	
Voltage output	
• Short-circuit protection	Yes
• Short-circuit current	Typically 55 mA
Current output	
• No-load voltage	Typically 17 V
Destruction limit for externally applied voltages/currents	
• Voltage measured between the outputs and M <sub>ANA</sub>	Max. 16 V
• Current	Max. 50 mA;
Connection of actuators	
• For voltage outputs	Possible, without compensation of cable resistance
– wire connection	
– wire connection (test lead)	Not possible
• For current outputs	Possible
– wire connection	



## Technical data of CPU 31x

www.DataSheet4U.com

### 7.1 General technical data

#### 7.1.1 Dimensions of CPU 31x

Each CPU features the same height and depth, only the width dimensions differ.

- Height: 125 mm
- Depth: 115 mm, or 180 mm with opened front cover.

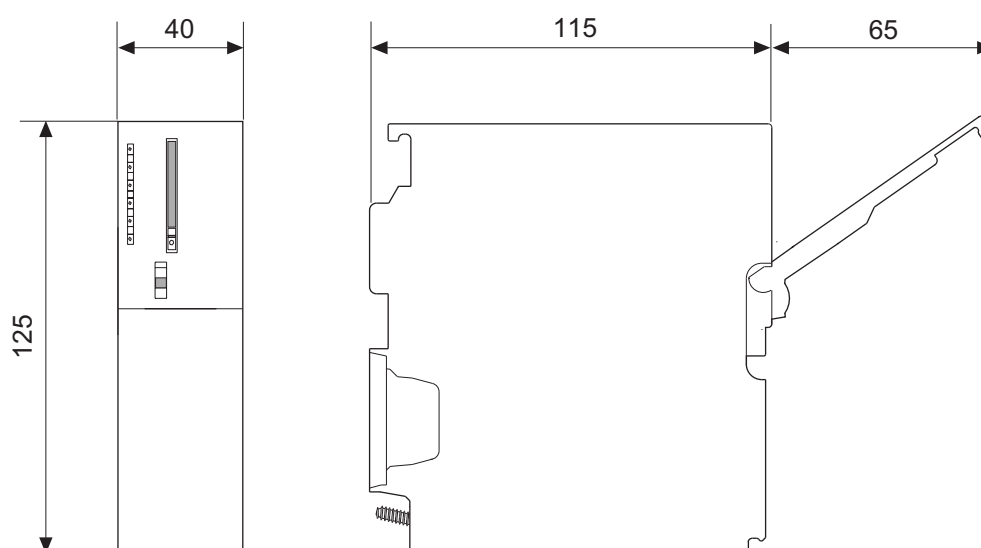


Figure 7-1 Dimensions of CPU 31x

#### Width of CPU

CPU	Width
CPU 312	40 mm
CPU 314	40 mm
CPU 315-2 DP	40 mm
CPU 315-2 PN/DP	80 mm
CPU 317	80 mm

## 7.1.2 Technical data of the Micro Memory Card (MMC)

### Plug-in SIMATIC Micro Memory Cards

The following memory modules are available:

Table 7-1 Available MMCs

Type	Order number	Required for a firmware update via MMC
MMC 64k	6ES7 953-8LFxx-0AA0	–
MMC 128k	6ES7 953-8LGxx-0AA0	–
MMC 512k	6ES7 953-8LJxx-0AA0	–
MMC 2M	6ES7 953-8LLxx-0AA0	Minimum requirement for CPUs without DP interface
MMC 4M	6ES7 953-8LMxx-0AA0	Minimum requirement for CPUs with DP interface
MMC 8M <sup>1</sup>	6ES7 953-8LPxx-0AA0	–

<sup>1</sup> This MMC cannot be used together with CPU 312C or CPU 312.

### Maximum number of loadable blocks in the MMC

The number of blocks that can be stored on the MMC depends on the capacity of the MMC being used. The maximum number of blocks that can be loaded is therefore limited by the capacity of your MMC (including blocks generated with the "CREATE DB" SFC):

Table 7-2 Maximum number of loadable blocks on the MMC

Size of MMC	Maximum number of blocks that can be loaded
64 KB	768
128 KB	1024
512 KB	Here the maximum number of blocks that can be loaded for the specific CPU is less than the number of blocks that can be stored on the MMC.
2 MB	
4 MB	
8 MB	Refer to the corresponding specifications of a specific CPU to determine the maximum number of blocks that can be loaded.



## 7.2 CPU 312

### Technical data

Table 7-3 Technical data for the CPU 312

<b>Technical data</b>	
<b>CPU and version</b>	
Order number	6ES7312-1AD10-0AB0
• Hardware version	01
• Firmware version	V2.0.0
• Associated programming package	STEP 7 as of V 5.1 + SP 4
<b>Memory</b>	
RAM	
• Integrated	16 KB
• Expandable	No
Load memory	Plugged in with MMC (max. 4 MB)
Data storage life on the MMC (following final programming)	At least 10 years
Buffering	Guaranteed by MMC (maintenance-free)
<b>Execution times</b>	
Processing times of	
• Bit operations	Min. 0.2 µs
• Word instructions	Min. 0.4 µs
• Fixed-point arithmetic	Min. 5 µs
• Floating-point arithmetic	Min. 6 µs
<b>Timers/counters and their retentivity</b>	
S7 counters	
• Retentive memory	Configurable
• Default	from C0 to C7
• Counting range	0 to 999
IEC Counters	
• Type	SFB
• Number	unlimited (limited only by RAM size)
S7 timers	
• Retentive memory	Configurable
• Default	Not retentive
• Timer range	10 ms to 9990 s
IEC Timers	
• Type	SFB
• Number	unlimited (limited only by RAM size)

<b>Technical data</b>	
<b>Data areas and their retentivity</b>	
Flag bits	128 bytes
• Retentive memory	Yes
• Default retentivity	MB0 to MB15
Clock flag bits	8 (1 byte per flag bit)
Data blocks	511 (DB 1 to DB 511)
• Length	16 KB
Local data per priority class	max. 256 bytes
<b>Blocks</b>	
Total	1024 (DBs, FCs, FBs) The maximum number of blocks that can be loaded may be reduced if you are using another MMC.
OBs	See the Instruction List
• Length	max. 16 KB
Nesting depth	
• Per priority class	8
• additional within an error OB	4
FBs	Max. 512 (FB 0 to FB 511)
• Length	max. 16 KB
FCs	Max. 512 (FC 0 to FC 511)
• Length	max. 16 KB
<b>Address areas (I/O)</b>	
Total I/O address area	1024 bytes /1024 bytes (can be freely addressed)
I/O process image	128 bytes/128 bytes
Digital channels	Max. 256
of those local	Max. 256
Analog channels	Max. 64
of those local	Max. 64
<b>Assembly</b>	
Racks	Max. 1
Modules per rack	Max. 8
Number of DP masters	
• Integrated	None
• Via CP	1

www.DataSheet4U.com

<b>Technical data</b>	
Number of function modules and communication processors you can operate	
• FM	Max. 8
• CP (PtP)	Max. 8
• CP (LAN)	Max. 4
<b>Time-of-day</b>	
Real-time clock	Yes (SW clock)
• Buffered	No
• Accuracy	Deviation per day < 15 s
• Behavior of the realtime clock after POWER ON	The clock keeps running, continuing at the time-of-day it had when power was switched off.
Operating hours counter	1
• Number	0
• Value range	2 <sup>31</sup> (if SFC 101 is used)
• Granularity	1 hour
• Retentive	Yes; must be manually restarted after every restart
Clock synchronization	Yes
• In the PLC	Master
• On MPI	Master/slave
<b>S7 signaling functions</b>	
Number of stations that can be logged on for signaling functions	6 (depends on the number of connections configured for PG / OP and S7 basic communication)
Process diagnostics messages	Yes
• Simultaneously enabled interrupt S blocks	Max. 20
<b>Testing and commissioning functions</b>	
Status/control variables	Yes
• Variables	Inputs, outputs, memory bits, DBs, timers, counters
• Number of variables	30
– Of those as status variable	30
– Of those as control variable	14
Forcing	Yes
• Variables	Inputs, outputs
• Number of variables	Max. 10
Block status	Yes
Single step	Yes
Breakpoints	2
Diagnostic buffer	Yes
• Number of entries (not configurable)	Max. 100

www.DataSheet4U.com

Technical data	
<b>Communication functions</b>	
PG/OP communication	Yes
Global data communication	Yes
• Number of GD circuits	4
• Number of GD packets	Max. 4
– Sending stations	Max. 4
– Receiving stations	Max. 4
• Length of GD packets	max. 22 bytes
– Consistent data	22 bytes
S7 basic communication	Yes
• User data per request	max. 76 bytes
– Consistent data	76 bytes (for X_SEND or X_RCV) 64 bytes (for X_PUT or X_GET as the server)
S7 communication	
• As server	Yes
• User data per request	Max. 180 bytes (with PUT/GET)
– Consistent data	64 bytes
S5-compatible communication	Yes (via CP and loadable FCs)
Number of connections	Max. 6
can be used for	
• PG communication	Max. 5
– Reserved (default)	1
– Configurable	from 1 to 5
• OP communication	Max. 5
– Reserved (default)	1
– Configurable	from 1 to 5
• S7-based communication	Max. 2
– Reserved (default)	2
– Configurable	from 0 to 2
Routing	No
<b>Interfaces</b>	
<b>1st interface</b>	
Type of interface	Integrated RS485 interface
Physics	RS 485
electrically isolated	No
Interface power supply (15 to 30 VDC)	max. 200 mA
<b>Functionality</b>	
• MPI	Yes
• PROFIBUS DP	No
• Point-to-point communication	No

www.DataSheet4U.com

<b>Technical data</b>	
<b>MPI</b>	
Services	
• PG/OP communication	Yes
• Routing	No
• Global data communication	Yes
• S7 basic communication	Yes
• S7 communication	
– As server	Yes
– As client	No
• Transmission rates	187.5 kbps
<b>Programming</b>	
Programming language	LAD/FBD/STL
Available instructions	See the Instruction List
Nesting levels	8
System functions (SFCs)	See the Instruction List
System function blocks (SFBs)	See the Instruction List
User program security	Yes
<b>Dimensions</b>	
Mounting dimensions W x H x D (mm)	40 x 125 x 130
Weight	270 g
<b>Voltages and currents</b>	
Power supply (rated value)	24 VDC
• Permitted range	20.4 V to 28.8 V
Current consumption (no-load operation)	Typically 60 mA
Inrush current	Typically 2.5 A
Power consumption (nominal value)	0,6 A
I <sup>2</sup> t	0.5 A <sup>2</sup> s
External fusing of power supply lines (recommended)	min. 2 A
Power loss	Typically 2,5 W

www.DataSheet4U.com

## 7.3 CPU 314

### Technical data for the CPU 314

Table 7-4 Technical data for the CPU 314

<b>Technical data</b>	
<b>CPU and version</b>	
Order number	6ES7314-1AF10-0AB0
• Hardware version	01
• Firmware version	V 2.0.0
• Associated programming package	STEP 7 as of V 5.1 + SP 4
<b>Memory</b>	
RAM	
• Integrated	48 KB
• Expandable	No
Load memory	Plugged in with MMC (max. 8 MB)
Data storage life on the MMC (following final programming)	At least 10 years
Buffering	Guaranteed by MMC (maintenance-free)
<b>Execution times</b>	
Processing times of	
• Bit operations	Min. 0.1 µs
• Word instructions	Min. 0.2 µs
• Fixed-point arithmetic	Min. 2.0 µs
• Floating-point arithmetic	Min. 6 µs
<b>Timers/counters and their retentivity</b>	
S7 counters	256
• Retentive memory	Configurable
• Default	from C0 to C7
• Counting range	0 to 999
IEC Counters	Yes
• Type	SFB
• Number	unlimited (limited only by RAM size)
S7 timers	256
• Retentive memory	Configurable
• Default	Not retentive
• Timer range	10 ms to 9990 s
IEC Timers	Yes
• Type	SFB
• Number	unlimited (limited only by RAM size)

www.DataSheet4U.com

<b>Technical data</b>	
<b>Data areas and their retentivity</b>	
Flag bits	256 bytes
• Retentive memory	Yes
• Default retentivity	MB0 to MB15
Clock flag bits	8 (1 byte per flag bit)
Data blocks	
• Number	511 (DB 1 to DB 511)
• Length	16 KB
Local data per priority class	Max. 510
<b>Blocks</b>	
Total	1024 (DBs, FCs, FBs) The maximum number of blocks that can be loaded may be reduced if you are using another MMC.
OBs	See the Instruction List
• Length	16 KB
Nesting depth	
• Per priority class	8
• additional within an error OB	4
FBs	See the Instruction List
• Number	512 (FB 0 to FB 511)
• Length	16 KB
FCs	See the Instruction List
• Number	512 (FC 0 to FC 511)
• Length	16 KB
<b>Address areas (I/O)</b>	
Total I/O address area	Max. 1024 bytes/1024 bytes (can be freely addressed)
I/O process image	128 bytes/128 bytes
Digital channels	Max. 1024
of those local	Max. 1024
Analog channels	Max. 256
of those local	Max. 256
<b>Assembly</b>	
Racks	Max. 4
Modules per rack	8
Number of DP masters	
• Integrated	None
• via CP	Max. 1

www.DataSheet4U.com

<b>Technical data</b>	
Number of function modules and communication processors you can operate	
• FM	Max. 8
• CP (PtP)	Max. 8
• CP (LAN)	Max. 10
<b>Time-of-day</b>	
Real-time clock	Yes (HW clock)
• Buffered	Yes
• Buffered period	Typically 6 weeks (at an ambient temperature of 104 °F)
• Behavior of the clock on expiration of the buffered period	The clock keeps running, continuing at the time-of-day it had when power was switched off.
• Accuracy	Deviation per day: < 10 s
Operating hours counter	1
• Number	0
• Value range	2 <sup>31</sup> hours (if SFC 101 is used)
• Granularity	1 hour
• Retentive	yes; must be manually restarted after every restart
Clock synchronization	Yes
• In the PLC	Master
• On MPI	Master/slave
<b>S7 signaling functions</b>	
Number of stations that can log in for signaling functions (e.g. OS)	12 (depends on the number of connections configured for PG / OP and S7 basic communication)
Process diagnostics messages	Yes
• Simultaneously enabled interrupt S blocks	Max. 40
<b>Testing and commissioning functions</b>	
Status/control variables	Yes
• Variables	Inputs, outputs, memory bits, DBs, timers, counters
• Number of variables	30
– Of those as status variable	30
– Of those as control variable	14
Forcing	Yes
• Variables	Inputs/Outputs
• Number of variables	Max. 10
Block status	Yes
Single step	Yes
Breakpoints	2
Diagnostic buffer	Yes

www.DataSheet4U.com



<b>Technical data</b>	
• Number of entries (not configurable)	Max. 100
<b>Communication functions</b>	
PG/OP communication	Yes
Global data communication	Yes
• Number of GD circuits	4
• Number of GD packets	Max. 4
– Sending stations	Max. 4
– Receiving stations	Max. 4
• Length of GD packets	max. 22 bytes
– Consistent data	22 bytes
S7 basic communication	Yes
• User data per request	max. 76 bytes
– Consistent data	76 bytes (for X_SEND or X_RCV) 64 bytes (for X_PUT or X_GET as the server)
S7 communication	Yes
• As server	Yes
• as client	Yes (via CP and loadable FBs)
• User data per request	Max. 180 (for PUT/GET)
– Consistent data	64 bytes
S5-compatible communication	Yes (via CP and loadable FCs)
Number of connections	12
can be used for	
• PG communication	Max. 11
– Reserved (default)	1
– Configurable	1 to 11
• OP communication	Max. 11
– Reserved (default)	1
– Configurable	1 to 11
• S7-based communication	Max. 8
– Reserved (default)	8
– Configurable	0 to 8
Routing	No
<b>Interfaces</b>	
<b>1st interface</b>	
Type of interface	Integrated RS485 interface
Physics	RS 485
electrically isolated	No
Interface power supply (15 to 30 VDC)	max. 200 mA
<b>Functionality</b>	
• MPI	Yes
• PROFIBUS DP	No
• Point-to-point communication	No

www.DataSheet4U.com

www.DataSheet4U.com

<b>Technical data</b>	
<b>MPI</b>	
Services	
• PG/OP communication	Yes
• Routing	No
• Global data communication	Yes
• S7 basic communication	Yes
• S7 communication	Yes
– As server	Yes
– As client	No (but via CP and loadable FBs)
• Transmission rates	187.5 kbps
<b>Programming</b>	
Programming language	LAD/FBD/STL
Available instructions	See the Instruction List
Nesting levels	8
System functions (SFCs)	See the Instruction List
System function blocks (SFBs)	See the Instruction List
User program security	Yes
<b>Dimensions</b>	
Mounting dimensions W x H x D (mm)	40 x 125 x 130
Weight	280 g
<b>Voltages and currents</b>	
Power supply (rated value)	24 VDC
• Permitted range	20.4 V to 28.8 V
Current consumption (no-load operation)	Typically 60 mA
Inrush current	Typically 2.5 A
Power consumption (nominal value)	0,6 A
I <sup>2</sup> t	0.5 A <sup>2</sup> s
External fusing of power supply lines (recommended)	min. 2 A
Power loss	Typically 2.5 W

## 7.4 CPU 315-2 DP

### Technical data

Table 7-5 Technical data for the CPU 315-2 DP

<b>Technical data</b>	
<b>CPU and version</b>	
Order number	6ES7315-2AG10-0AB0
• Hardware version	01
• Firmware version	V 2.0.0
• Associated programming package	STEP 7 as of V 5.1 + SP 4
<b>Memory</b>	
RAM	
• Integrated	128 KB
• Expandable	No
Load memory	Plugged in with MMC (max. 8 MB)
Data storage life on the MMC (following final programming)	At least 10 years
Buffering	Guaranteed by MMC (maintenance-free)
<b>Execution times</b>	
Processing times of	
• Bit operations	Min. 0.1 µs
• Word instructions	Min. 0.2 µs
• Fixed-point arithmetic	Min. 2.0 µs
• Floating-point arithmetic	Min. 6 µs
<b>Timers/counters and their retentivity</b>	
S7 counters	
• Retentive memory	Configurable
• Default	from C0 to C7
• Counting range	0 to 999
IEC Counters	
• Type	SFB
• Number	unlimited (limited only by RAM size)
S7 timers	
• Retentive memory	Configurable
• Default	Not retentive
• Timer range	10 ms to 9990 s
IEC Timers	
• Type	SFB
• Number	unlimited (limited only by RAM size)

<b>Technical data</b>	
<b>Data areas and their retentivity</b>	
Flag bits	2048 bytes
• Retentive memory	Yes
• Default retentivity	MB0 to MB15
Clock flag bits	8 (1 byte per flag bit)
Data blocks	
• Number	1023 (DB 1 to DB 1023)
• Length	16 KB
Local data capacity	Max. 1024 bytes per task/510 per block
<b>Blocks</b>	
Total	1024 (DBs, FCs, FBs) The maximum number of blocks that can be loaded may be reduced if you are using another MMC.
OBs	See the Instruction List
• Length	16 KB
Nesting depth	
• Per priority class	8
• additional within an error OB	4
FBs	See the Instruction List
• Number	2048 (FB 0 to FB 2047)
• Length	16 KB
FCs	See the Instruction List
• Number	2048 (FC 0 to FC 2047)
• Length	16 KB
<b>Address areas (I/O)</b>	
Total I/O address area	max. 2048 bytes/2048 bytes (can be freely addressed)
Distributed	Max. 2000
I/O process image	128/128
Digital channels	Max. 16384
of those local	Max. 1024
Analog channels	Max. 1024
of those local	Max. 256
<b>Assembly</b>	
Racks	Max. 4
Modules per rack	8
Number of DP masters	
• Integrated	1
• via CP	1

www.DataSheet4U.com

<b>Technical data</b>	
Number of function modules and communication processors you can operate	
• FM	Max. 8
• CP (PtP)	Max. 8
• CP (LAN)	Max. 10
<b>Time-of-day</b>	
Real-time clock	Yes (HW clock)
• Buffered	Yes
• Buffered period	Typically 6 weeks (at an ambient temperature of 104 °F)
• Behavior of the clock on expiration of the buffered period	The clock keeps running, continuing at the time-of-day it had when power was switched off.
• Accuracy	Deviation per day: < 10 s
Operating hours counter	1
• Number	0
• Value range	2 <sup>31</sup> hours (if SFC 101 is used)
• Granularity	1 hour
• Retentive	yes; must be manually restarted after every restart
Clock synchronization	Yes
• In the PLC	Master
• On MPI	Master/slave
<b>S7 signaling functions</b>	
Number of stations that can log in for signaling functions (e.g. OS)	16 (depends on the number of connections configured for PG / OP and S7 basic communication)
Process diagnostics messages	Yes
• Simultaneously enabled interrupt S blocks	40
<b>Testing and commissioning functions</b>	
Status/control variables	Yes
• Variables	Inputs, outputs, memory bits, DBs, timers, counters
• Number of variables	30
– Of those as status variable	30
– Of those as control variable	14
Forcing	
• Variables	Inputs/Outputs
• Number of variables	Max. 10
Block status	Yes
Single step	Yes
Breakpoints	2

www.DataSheet4U.com

<b>Technical data</b>	
Diagnostic buffer	Yes
• Number of entries (not configurable)	Max. 100
<b>Communication functions</b>	
PG/OP communication	Yes
Global data communication	Yes
• Number of GD circuits	8
• Number of GD packets	Max. 8
– Sending stations	Max. 8
– Receiving stations	Max. 8
• Length of GD packets	max. 22 bytes
– Consistent data	22 bytes
S7 basic communication	Yes
• User data per request	max. 76 bytes
– Consistent data	76 bytes (for X_SEND or X_RCV) 64 bytes (for X_PUT or X_GET as the server)
S7 communication	Yes
• As server	Yes
• as client	Yes (via CP and loadable FBs)
• User data per request	Max. 180 bytes (with PUT/GET)
– Consistent data	64 byte (as the server)
S5-compatible communication	Yes (via CP and loadable FCs)
Number of connections	16
can be used for	
• PG communication	Max. 15
– Reserved (default)	1
– Configurable	1 to 15
• OP communication	Max. 15
– Reserved (default)	1
– Configurable	1 to 15
• S7-based communication	Max. 12
– Reserved (default)	12
– Configurable	0 to 12
Routing	Yes (max. 4)
<b>Interfaces</b>	
<b>1st interface</b>	
Type of interface	Integrated RS485 interface
Physics	RS 485
electrically isolated	No
Interface power supply (15 to 30 VDC)	max. 200 mA

www.DataSheet4U.com

<b>Technical data</b>	
<b>Functionality</b>	
• MPI	Yes
• PROFIBUS DP	No
• Point-to-point communication	No
<b>MPI</b>	
Services	
• PG/OP communication	Yes
• Routing	Yes
• Global data communication	Yes
• S7 basic communication	Yes
• S7 communication	Yes
– As server	Yes
– As client	No (but via CP and loadable FBs)
• Transmission rates	187.5 kbps
<b>2nd interface</b>	
Type of interface	Integrated RS485 interface
Physics	RS 485
electrically isolated	Yes
Type of interface	Integrated RS485 interface
Interface power supply (15 to 30 VDC)	max. 200 mA
<b>Functionality</b>	
MPI	No
PROFIBUS DP	Yes
Point-to-point communication	No
<b>DP master</b>	
Services	
• PG/OP communication	Yes
• Routing	Yes
• Global data communication	No
• S7 basic communication	No
• S7 communication	No
• Constant bus cycle time	Yes
• SYNC/FREEZE	Yes
• DPV1	Yes
Transmission speed	Up to 12 Mbps
Number of DP slaves per station	124
Address area	max. 244 bytes

www.DataSheet4U.com

www.DataSheet4U.com

<b>Technical data</b>	
<b>DP slave</b>	
Services	
• PG/OP communication	Yes
• Routing	Yes (only if interface is active)
• Global data communication	No
• S7 basic communication	No
• S7 communication	No
• Direct data exchange	Yes
• Transmission rates	Up to 12 Mbps
• Automatic baud rate search	Yes (only if interface is passive)
• Intermediate memory	244 bytes I / 244 bytes O
• Address areas	max. 32 with max. 32 bytes each
• DPV1	No
<b>GSD file</b>	The latest GSD file is available at: <a href="http://www.ad.siemens.de/support">http://www.ad.siemens.de/support</a> in the Product Support area
<b>Programming</b>	
Programming language	LAD/FBD/STL
Available instructions	See the Instruction List
Nesting levels	8
System functions (SFCs)	See the Instruction List
System function blocks (SFBs)	See the Instruction List
User program security	Yes
<b>Dimensions</b>	
Mounting dimensions W x H x D (mm)	40 x 125 x 130
Weight	290 g
<b>Voltages and currents</b>	
Power supply (rated value)	24 VDC
• Permitted range	20.4 V to 28.8 V
Current consumption (no-load operation)	Typically 60 mA
Inrush current	Typically 2.5 A
Power consumption (nominal value)	0.8 A
I <sup>2</sup> t	0.5 A <sup>2</sup> s
External fusing of power supply lines (recommended)	min. 2 A
Power loss	Typically 2,5 W



## 7.5 CPU 315-2 PN/DP

### Technical data

Table 7-6 Technical data for the CPU 315-2 PN/DP

<b>Technical data</b>	
<b>CPU and version</b>	
Order number	6ES7315-2EG10-0AB0
• Hardware version	01
• Firmware version	V 2.3.0
• Associated programming package	STEP 7 as of V 5.3 + SP 1
<b>Memory</b>	
RAM	
• RAM	128 KB
• Expandable	No
Capacity of the retentive memory for retentive data blocks	128 KB
Load memory	Plugged in with MMC (max. 8 MB)
Buffering	Guaranteed by MMC (maintenance-free)
Data storage life on the MMC (following final programming)	At least 10 years
<b>Execution times</b>	
Processing times of	
• Bit operations	0.1 µs
• Word instructions	0.2 µs
• Fixed-point arithmetic	2 µs
• Floating-point arithmetic	6 µs
<b>Timers/counters and their retentivity</b>	
S7 counters	
• Retentive memory	Configurable
• Default	from C0 to C7
• Counting range	0 to 999
IEC Counters	
• Type	SFB
• Number	Unlimited (limited only by RAM size)
S7 timers	
• Retentive memory	Configurable
• Default	Not retentive
• Timer range	10 ms to 9990 s

<b>Technical data</b>	
IEC Timers	Yes
• Type	SFB
• Number	Unlimited (limited only by RAM size)
<b>Data areas and their retentivity</b>	
Flag bits	2048 bytes
• Retentive memory	Configurable
• Default retentivity	From MB0 to MB15
Clock flag bits	8 (1 byte per flag bit)
Data blocks	
• Number	1023 (DB 1 to DB 1023)
• Length	16 KB
• Non-Retain support (configured retention)	Yes
Local data per priority class	Max. 1024 bytes per run level / 510 bytes per block
<b>Blocks</b>	
Total	1024 (DBs, FCs, FBs) The maximum number of blocks that can be loaded may be reduced if you are using another MMC.
OBs	See the Instruction List
• Length	16 KB
Nesting depth	
• Per priority class	8
• additional within an error OB	4
FBs	See the Instruction List
• Number	2048 (FB 0 to FB 2047)
• Length	16 KB
FCs	See the Instruction List
• Number	2048 (FC 0 to FC 2047)
• Length	16 KB
<b>Address areas (I/O)</b>	
Total I/O address area	max. 2048 bytes/2048 bytes (can be freely addressed)
Distributed	max. 2000 bytes
I/O process image	128/128
Digital channels	16384/16384
of those local	Max. 1024
Analog channels	1024/1024
of those local	Max. 256

www.DataSheet4U.com

Technical data	
<b>Assembly</b>	
Racks	Max. 4
Modules per rack	8
Number of DP masters	
• Integrated	1
• via CP	2
Number of function modules and communication processors you can operate	
• FM	Max. 8
• CP (PtP)	Max. 8
• CP (LAN)	Max. 10
<b>Time-of-day</b>	
Real-time clock	Yes (hardware clock)
• Factory setting	DT#1994-01-01-00:00:00
• Buffered	Yes
• Buffered period	Typically 6 weeks (at an ambient temperature of 104 °F)
• Behavior of the clock on expiration of the buffered period	The clock keeps running, continuing at the time-of-day it had when power was switched off.
• Behavior of the realtime clock after POWER ON	The clock continues running after POWER OFF.
• Accuracy	Deviation per day: < 10 s
Operating hours counter	1
• Number	0
• Value range	2 <sup>31</sup> hours (if SFC 101 is used)
• Granularity	1 hour
• Retentive	yes; must be manually restarted after every restart
Clock synchronization	Yes
• In the PLC	Master/slave
• On MPI	Master/slave
<b>S7 signaling functions</b>	
Number of stations that can be logged on for signaling functions	16 (depends on the number of connections configured for PG / OP and S7 basic communication)
Process diagnostics messages	Yes
• Simultaneously enabled interrupt S blocks	40
<b>Testing and commissioning functions</b>	
Status/control variables	Yes
• Variables	Inputs, outputs, memory bits, DBs, timers, counters

www.DataSheet4U.com

Technical data	
• Number of variables	30
– Of those as status variable	Max. 30
– Of those as control variable	Max. 14
Forcing	
• Variables	Inputs/Outputs
• Number of variables	Max. 10
Block status	Yes
Single step	Yes
Breakpoints	2
Diagnostic buffer	Yes
• Number of entries (not configurable)	Max. 100
Communication functions	
Open IE communication via TCP/IP	Yes (via integrated PROFINET interface and loadable FBs, max. 8 connections)
PG/OP communication	Yes
Global data communication	Yes
• Number of GD circuits	8
• Number of GD packets	Max. 8
– Sending stations	Max. 8
– Receiving stations	Max. 8
• Length of GD packets	max. 22 bytes
– Consistent data	22 bytes
S7 basic communication	Yes
• User data per request	max. 76 bytes
– Consistent data	76 bytes
S7 communication	Yes
• As server	Yes
• as client	Yes (via integrated PN interface and loadable FBs, or even via CP and loadable FBs)
• User data per request	See the STEP 7 Online Help, <i>Common parameters of SFBs/FBs and SFC/FC of the S7 communication</i>
– Consistent data	
S5-compatible communication	Yes (via CP and loadable FCs)
Number of connections	16
can be used for	
• PG communication	Max. 15
– Reserved (default)	1
– Configurable	1 to 15
• OP communication	Max. 15
– Reserved (default)	1
– Configurable	1 to 15
• S7-based communication	Max. 14
– Reserved (default)	0
– Configurable	0 to 14

www.DataSheet4U.com

<b>Technical data</b>	
Routing	Yes
<ul style="list-style-type: none"> <li>• Interface X1 configured as                             <ul style="list-style-type: none"> <li>– MPI</li> <li>– DP master</li> <li>– DP slave (active)</li> </ul> </li> <li>• Interface X2 configured as PROFINET</li> </ul>	Max. 10 Max. 24 Max. 14 Max. 24
<b>CBA (at 50 % communication load)</b>	
<ul style="list-style-type: none"> <li>• Maximum data length for arrays and structures between two partners                             <ul style="list-style-type: none"> <li>– Acyclic PROFINET interconnections</li> <li>– Cyclic PROFINET interconnections</li> <li>– Local interconnections</li> </ul> </li> </ul>	1400 bytes 450 bytes Slave-dependent
• Number of coupled PROFIBUS devices	16
• Total of all master/slave connections	1000
• Number of device-internal and PROFIBUS interconnections	500
• Number of remote interconnecting partners	32
Remote interconnections with acyclical transmission	
Scan rate: Minimum scan interval	500 ms
Number of incoming interconnections	100
Number of outgoing interconnections	100
Remote interconnections with cyclical transmission	
Scan rate: Minimum scan interval	10 ms
Number of incoming interconnections	200
Number of outgoing interconnections	200
HMI interconnections via PROFINET (acyclic)	
HMI interconnections	500 ms
Number of HMI variables	200
Sum of all interconnections	4000 bytes input/4000 bytes output
<b>Interfaces</b>	
<b>1st interface</b>	
Type of interface	Integrated RS485 interface
Physics	RS 485
electrically isolated	Yes
Interface power supply (15 to 30 VDC)	max. 200 mA
<b>Functionality</b>	
• MPI	Yes
• PROFIBUS DP	Yes
• Point-to-point communication	No
• PROFINET	No

www.DataSheet4U.com

Technical data	
<b>MPI</b>	
Services	
• PG/OP communication	Yes
• Routing	Yes
• Global data communication	Yes
• S7 basic communication	Yes
• S7 communication	Yes
– As server	Yes
– As client	No (but via CP and loadable FBs)
• Transmission rates	Max. 12 Mbps
<b>DP master</b>	
Services	
• PG/OP communication	Yes
• Routing	Yes
• Global data communication	No
• S7 basic communication	No
• S7 communication	No
• Constant bus cycle time	Yes
• SYNC/FREEZE	Yes
• DPV1	Yes
Transmission speed	Up to 12 Mbps
Number of DP slaves	124
<b>DP slave</b>	
Services	
• Routing	Yes (only if interface is active)
• Global data communication	No
• S7 basic communication	No
• S7 communication	No
• Direct data exchange	Yes
• Transmission rates	Up to 12 Mbps
• Automatic baud rate search	Yes (only if interface is passive)
• Intermediate memory	244 bytes I / 244 bytes O
• Address areas	max. 32 with max. 32 bytes each
• DPV1	No
<b>2nd interface</b>	
Type of interface	PROFINET
Physics	Ethernet
electrically isolated	Yes
Autosensing (10/100 Mbps)	Yes

www.DataSheet4U.com

<b>Technical data</b>	
<b>Functionality</b>	
• PROFINET	Yes
• MPI	No
• PROFIBUS DP	No
• Point-to-point communication	No
<b>Services</b>	
• PG communication	Yes
• OP communication	Yes
• S7 communication – Max. configurable interconnections	Yes (with loadable FBs) 14
• Routing	Yes
• PROFINET IO	Yes
• PROFINET CBA	Yes
<b>PROFINET IO</b>	
Number of integrated PROFINET IO controllers	1
Number of connectable PROFINET IO devices	128
Max. user data consistency with PROFINET IO	256 bytes
Update Time	1 ms to 512 ms The minimum value is determined by the set communication portion for PROFINET IO, the number of IO devices and the amount of configured user data.
Routing	Yes
<b>S7 protocol functions</b>	
• PG functions	Yes
• OP functions	Yes
• Open IE communication via TCP/IP	Yes
<b>GSD file</b>	The latest GSD file is available at: <a href="http://www.ad.siemens.de/support">http://www.ad.siemens.de/support</a> in the Product Support area
<b>Programming</b>	
Programming language	LAD/FBD/STL
Available instructions	See the Instruction List
Nesting levels	8
System functions (SFCs)	See the Instruction List
System function blocks (SFBs)	See the Instruction List
User program security	Yes
<b>Dimensions</b>	
Mounting dimensions W x H x D (mm)	80 x 125 x 130
Weight	460 g

www.DataSheet4U.com

Technical data	
<b>Voltages and currents</b>	
Power supply (rated value)	24 VDC
• Permitted range	20.4 V to 28.8 V
Current consumption (no-load operation)	100 mA
Inrush current	Typically 2.5 A
I <sup>2</sup> t	Min. 1 A <sup>2</sup> s
External fusing of power supply lines (recommended)	min. 2 A
Power loss	Typically 3.5 W

www.DataSheet4U.com

## 7.6 CPU 317-2 DP

### Technical data

Table 7-7 Technical data for the CPU 317-2 DP

Technical data	
<b>CPU and version</b>	
Order number	6ES7317-2AJ10-0AB0
• Hardware version	01
• Firmware version	V 2.1.0
• Associated programming package	STEP 7 as of V 5.2 + SP 1
<b>Memory</b>	
RAM	
• Integrated	512 KB
• Expandable	No
Capacity of the retentive memory for retentive data blocks	max. 256 KB
Load memory	Plugged in with MMC (max. 8 MB)
Buffering	Guaranteed by MMC (maintenance-free)
Data storage life on the MMC (following final programming)	At least 10 years
<b>Execution times</b>	
Processing times of	
• Bit operations	0.05 µs
• Word instructions	0.2 µs
• Fixed-point arithmetic	0.2 µs
• Floating-point arithmetic	1.0 µs



<b>Technical data</b>	
<b>Timers/counters and their retentivity</b>	
S7 counters	512
• Retentive memory	Configurable
• Default	from C0 to C7
• Counting range	0 to 999
IEC Counters	Yes
• Type	SFB
• Number	Unlimited (limited only by RAM size)
S7 timers	512
• Retentive memory	Configurable
• Default	Not retentive
• Timer range	10 ms to 9990 s
IEC Timers	Yes
• Type	SFB
• Number	Unlimited (limited only by RAM size)
<b>Data areas and their retentivity</b>	
Flag bits	4096 bytes
• Retentive memory	Configurable
• Default retentivity	From MB0 to MB15
Clock flag bits	8 (1 byte per flag bit)
Data blocks	
• Number	2047 (DB 1 to DB 2047)
• Length	64 KB
• Non-Retain support (configured retention)	Yes
Local data per priority class	max. 1024 bytes
<b>Blocks</b>	
Total	2048 (DBs, FCs, FBs) The maximum number of blocks that can be loaded may be reduced if you are using another MMC.
OBs	See the Instruction List
• Length	64 KB
Nesting depth	
• Per priority class	16
• additional within an error OB	4
FBs	See the Instruction List
• Number	2048 (FB 0 to FB 2047)
• Length	64 KB

www.DataSheet4U.com

Technical data	
FCs	See the Instruction List
• Number	2048 (FC 0 to FC 2047)
• Length	64 KB
Address areas (I/O)	
Total I/O address area	max. 8192 bytes/8192 bytes (can be freely addressed)
Distributed	max. 8192 bytes
I/O process image	256/256
Digital channels	65536/65536
of those local	Max. 1024
Analog channels	4096/4096
of those local	256/256
Assembly	
Racks	Max. 4
Modules per rack	8
Number of DP masters	
• Integrated	2
• via CP	2
Number of function modules and communication processors you can operate	
• FM	Max. 8
• CP (PtP)	Max. 8
• CP (LAN)	Max. 10
Time-of-day	
Real-time clock	Yes (HW clock)
• Buffered	Yes
• Buffered period	Typically 6 weeks (at an ambient temperature of 104 °F)
• Behavior of the clock on expiration of the buffered period	The clock keeps running, continuing at the time-of-day it had when power was switched off.
• Accuracy	Deviation per day: < 10 s
Operating hours counter	4
• Number	0 to 3
• Value range	2 <sup>31</sup> hours (if SFC 101 is used)
• Granularity	1 hour
• Retentive	yes; must be manually restarted after every restart
Clock synchronization	Yes
• In the PLC	Master/slave
• On MPI	Master/slave

www.DataSheet4U.com

Technical data	
<b>S7 signaling functions</b>	
Number of stations that can be logged on for signaling functions	32 (depends on the number of connections configured for PG / OP and S7 basic communication)
Process diagnostics messages	Yes
• Simultaneously enabled interrupt S blocks	60
<b>Testing and commissioning functions</b>	
Status/control variables	Yes
• Variables	Inputs, outputs, memory bits, DBs, timers, counters
• Number of variables	30
– Of those as status variable	Max. 30
– Of those as control variable	Max. 14
Forcing	
• Variables	Inputs/Outputs
• Number of variables	Max. 10
Block status	Yes
Single step	Yes
Breakpoints	2
Diagnostic buffer	Yes
• Number of entries (not configurable)	Max. 100
<b>Communication functions</b>	
PG/OP communication	Yes
Global data communication	Yes
• Number of GD circuits	8
• Number of GD packets	Max. 8
– Sending stations	Max. 8
– Receiving stations	Max. 8
• Length of GD packets	max. 22 bytes
– Consistent data	22 bytes
S7 basic communication	Yes
• User data per request	max. 76 bytes
– Consistent data	76 bytes (for X_SEND or X_RCV) 76 bytes (for X_PUT or X_GET as the server)
S7 communication	Yes
• As server	Yes
• as client	Yes (via CP and loadable FBs)
• User data per request	Max. 180 bytes (with PUT/GET)
– Consistent data	160 byte (as the server)
S5-compatible communication	Yes (via CP and loadable FCs)

www.DataSheet4U.com

<b>Technical data</b>	
Number of connections	32
can be used for	
<ul style="list-style-type: none"> <li>• PG communication                             <ul style="list-style-type: none"> <li>– Reserved (default) 1</li> <li>– Configurable 1 to 31</li> </ul> </li> </ul>	Max. 31
<ul style="list-style-type: none"> <li>• OP communication                             <ul style="list-style-type: none"> <li>– Reserved (default) 1</li> <li>– Configurable 1 to 31</li> </ul> </li> </ul>	Max. 31
<ul style="list-style-type: none"> <li>• S7-based communication                             <ul style="list-style-type: none"> <li>– Reserved (default) 0</li> <li>– Configurable 0 to 30</li> </ul> </li> </ul>	Max. 30
Routing	Yes (max. 8)
<b>Interfaces</b>	
<b>1st interface</b>	
Type of interface	Integrated RS485 interface
Physics	RS 485
electrically isolated	Yes
Interface power supply (15 to 30 VDC)	max. 200 mA
<b>Functionality</b>	
<ul style="list-style-type: none"> <li>• MPI Yes</li> <li>• PROFIBUS DP Yes</li> <li>• Point-to-point communication No</li> </ul>	
<b>MPI</b>	
Services	
<ul style="list-style-type: none"> <li>• PG/OP communication Yes</li> <li>• Routing Yes</li> <li>• Global data communication Yes</li> <li>• S7 basic communication Yes</li> <li>• S7 communication                             <ul style="list-style-type: none"> <li>– As server Yes</li> <li>– As client No (but via CP and loadable FBs)</li> </ul> </li> <li>• Transmission rates Max. 12 Mbps</li> </ul>	
<b>DP master</b>	
Services	
<ul style="list-style-type: none"> <li>• PG/OP communication Yes</li> <li>• Routing Yes</li> <li>• Global data communication No</li> <li>• S7 basic communication No</li> <li>• S7 communication No</li> <li>• Constant bus cycle time Yes</li> <li>• SYNC/FREEZE Yes</li> <li>• DPV1 Yes</li> </ul>	

<b>Technical data</b>	
Transmission speed	Up to 12 Mbps
Number of DP slaves	124
Address range per DP slave	max. 244 bytes
<b>DP slave (except for DP slave at both interfaces)</b>	
Services	
• Routing	Yes (only if interface is active)
• Global data communication	No
• S7 basic communication	No
• S7 communication	No
• Direct data exchange	Yes
• Transmission rates	Up to 12 Mbps
• Automatic baud rate search	Yes (only if interface is passive)
• Intermediate memory	244 bytes I / 244 bytes O
• Address areas	max. 32 with max. 32 bytes each
• DPV1	No
<b>2nd interface</b>	
Type of interface	Integrated RS485 interface
Physics	RS 485
electrically isolated	Yes
Type of interface	Integrated RS485 interface
Interface power supply (15 to 30 VDC)	max. 200 mA
<b>Functionality</b>	
MPI	No
PROFIBUS DP	Yes
Point-to-point communication	No
<b>DP master</b>	
Services	
• PG/OP communication	Yes
• Routing	Yes
• Global data communication	No
• S7 basic communication	No
• S7 communication	No
• Constant bus cycle time	Yes
• SYNC/FREEZE	Yes
• DPV1	Yes
Transmission speed	Up to 12 Mbps
Number of DP slaves	124
Address area	max. 244 bytes

www.DataSheet4U.com

<b>Technical data</b>	
<b>DP slave</b> (except for DP slave at both interfaces)	
Services	
• PG/OP communication	Yes
• Routing	Yes (only if interface is active)
• Global data communication	No
• S7 basic communication	No
• S7 communication	No
• Direct data exchange	Yes
• Transmission rates	Up to 12 Mbps
• Automatic baud rate search	Yes (only if interface is passive)
• Intermediate memory	244 bytes I / 244 bytes O
• Address areas	max. 32 with max. 32 bytes each
• DPV1	No
<b>GSD file</b>	The latest GSD file is available at: <a href="http://www.ad.siemens.de/support">http://www.ad.siemens.de/support</a> in the Product Support area
<b>Programming</b>	
Programming language	LAD/FBD/STL
Available instructions	See the Instruction List
Nesting levels	8
System functions (SFCs)	See the Instruction List
System function blocks (SFBs)	See the Instruction List
User program security	Yes
<b>Dimensions</b>	
Mounting dimensions W x H x D (mm)	80 x 125 x 130
Weight	460 g
<b>Voltages and currents</b>	
Power supply (rated value)	24 VDC
• Permitted range	20.4 V to 28.8 V
Current consumption (no-load operation)	Typically 100 mA
Inrush current	Typically 2.5 A
$I^2t$	1 A <sup>2</sup> s
External fusing of power supply lines (recommended)	min. 2 A
Power loss	Typically 4 W

www.DataSheet4U.com

## 7.7 CPU 317-2 PN/DP

### Technical data

Table 7-8 Technical data for the CPU 317-2 PN/DP

<b>Technical data</b>	
<b>CPU and version</b>	
Order number	6ES7317-2EJ10-0AB0
• Hardware version	01
• Firmware version	V 2.3.0
• Associated programming package	STEP 7 as of V 5.3 + SP 1
<b>Memory</b>	
RAM	
• RAM	512 KB
• Expandable	No
Capacity of the retentive memory for retentive data blocks	256 KB
Load memory	Plugged in with MMC (max. 8 MB)
Buffering	Guaranteed by MMC (maintenance-free)
Data storage life on the MMC (following final programming)	At least 10 years
<b>Execution times</b>	
Processing times of	
• Bit operations	0.05 µs
• Word instructions	0.2 µs
• Fixed-point arithmetic	0.2 µs
• Floating-point arithmetic	1.0 µs
<b>Timers/counters and their retentivity</b>	
S7 counters	
• Retentive memory	Configurable
• Default	from C0 to C7
• Counting range	0 to 999
IEC Counters	
• Type	SFB
• Number	Unlimited (limited only by RAM size)
S7 timers	
• Retentive memory	Configurable
• Default	Not retentive
• Timer range	10 ms to 9990 s

<b>Technical data</b>	
IEC Timers	Yes
• Type	SFB
• Number	Unlimited (limited only by RAM size)
<b>Data areas and their retentivity</b>	
Flag bits	4096 bytes
• Retentive memory	Configurable
• Default retentivity	From MB0 to MB15
Clock flag bits	8 (1 byte per flag bit)
<b>Data blocks</b>	
• Number	2047 (DB 1 to DB 2047)
• Length	64 KB
• Non-Retain support (configured retention)	Yes
Local data per priority class	max. 1024 bytes
<b>Blocks</b>	
Total	2048 (DBs, FCs, FBs) The maximum number of blocks that can be loaded may be reduced if you are using another MMC.
OBs	See the Instruction List
• Length	64 KB
Nesting depth	
• Per priority class	16
• additional within an error OB	4
FBs	See the Instruction List
• Number	2048 (FB 0 to FB 2047)
• Length	64 KB
FCs	See the Instruction List
• Number	2048 (FC 0 to FC 2047)
• Length	64 KB
<b>Address areas (I/O)</b>	
Total I/O address area	max. 8192 bytes/8192 bytes (can be freely addressed)
Distributed	max. 8192 bytes
<b>I/O process image</b>	
• Configurable	2048/2048
• Default	256/256
Digital channels	65536/65536
of those local	Max. 1024

www.DataSheet4U.com



<b>Technical data</b>	
Analog channels	4096/4096
of those local	256/256
<b>Assembly</b>	
Racks	Max. 4
Modules per rack	8
Number of DP masters	
• Integrated	1
• via CP	2
Number of function modules and communication processors you can operate	
• FM	Max. 8
• CP (PtP)	Max. 8
• CP (LAN)	Max. 10
<b>Time-of-day</b>	
Real-time clock	Yes (hardware clock)
• Factory setting	DT#1994-01-01-00:00:00
• Buffered	Yes
• Buffered period	Typically 6 weeks (at an ambient temperature of 104 °F)
• Behavior of the clock on expiration of the buffered period	The clock keeps running, continuing at the time-of-day it had when power was switched off.
• Behavior of the realtime clock after POWER ON	The clock continues running after POWER OFF.
• Accuracy	Deviation per day: < 10 s
Operating hours counter	4
• Number	0 to 3
• Value range	2 <sup>31</sup> hours (if SFC 101 is used)
• Granularity	1 hour
• Retentive	yes; must be manually restarted after every restart
Clock synchronization	Yes
• In the PLC	Master/slave
• On MPI	Master/slave
<b>S7 signaling functions</b>	
Number of stations that can be logged on for signaling functions	32 (depends on the number of connections configured for PG / OP and S7 basic communication)
Process diagnostics messages	Yes
• Simultaneously enabled interrupt S blocks	60
<b>Testing and commissioning functions</b>	
Status/control variables	Yes
• Variables	Inputs, outputs, memory bits, DBs, timers, counters

www.DataSheet4U.com

Technical data	
<ul style="list-style-type: none"> <li>• Number of variables</li> <li>– Of those as status variable</li> <li>– Of those as control variable</li> </ul>	<p>30</p> <p>Max. 30</p> <p>Max. 14</p>
Forcing	
<ul style="list-style-type: none"> <li>• Variables</li> </ul>	Inputs/Outputs
<ul style="list-style-type: none"> <li>• Number of variables</li> </ul>	Max. 10
Block status	Yes
Single step	Yes
Breakpoints	2
Diagnostic buffer	Yes
<ul style="list-style-type: none"> <li>• Number of entries (not configurable)</li> </ul>	Max. 100
Communication functions	
Open IE communication via TCP/IP	Yes (via integrated PROFINET interface and loadable FBs, max. 8 connections)
PG/OP communication	
Global data communication	Yes
<ul style="list-style-type: none"> <li>• Number of GD circuits</li> </ul>	8
<ul style="list-style-type: none"> <li>• Number of GD packets</li> <li>– Sending stations</li> <li>– Receiving stations</li> </ul>	<p>Max. 8</p> <p>Max. 8</p> <p>Max. 8</p>
<ul style="list-style-type: none"> <li>• Length of GD packets</li> <li>– Consistent data</li> </ul>	<p>max. 22 bytes</p> <p>22 bytes</p>
S7 basic communication	Yes
<ul style="list-style-type: none"> <li>• User data per request</li> <li>– Consistent data</li> </ul>	<p>max. 76 bytes</p> <p>76 bytes</p>
S7 communication	Yes
<ul style="list-style-type: none"> <li>• As server</li> </ul>	Yes
<ul style="list-style-type: none"> <li>• as client</li> </ul>	Yes (via integrated PN interface and loadable FBs, or even via CP and loadable FBs)
<ul style="list-style-type: none"> <li>• User data per request</li> <li>– Consistent data</li> </ul>	See the STEP 7 Online Help, <i>Common parameters of SFBs/FBs and SFC/FC of the S7 communication</i>
S5-compatible communication	Yes (via CP and loadable FCs)
Number of connections	32
can be used for	
<ul style="list-style-type: none"> <li>• PG communication</li> <li>– Reserved (default)</li> <li>– Configurable</li> </ul>	<p>Max. 31</p> <p>1</p> <p>1 to 31</p>
<ul style="list-style-type: none"> <li>• OP communication</li> <li>– Reserved (default)</li> <li>– Configurable</li> </ul>	<p>Max. 31</p> <p>1</p> <p>1 to 31</p>
<ul style="list-style-type: none"> <li>• S7-based communication</li> <li>– Reserved (default)</li> <li>– Configurable</li> </ul>	<p>Max. 30</p> <p>0</p> <p>0 to 30</p>

www.DataSheet4U.com

<b>Technical data</b>	
<b>Routing</b>	
<ul style="list-style-type: none"> <li>• Interface X1 configured as                             <ul style="list-style-type: none"> <li>– MPI</li> <li>– DP master</li> <li>– DP slave (active)</li> </ul> </li> <li>• Interface X2 configured as                             <ul style="list-style-type: none"> <li>– PROFINET</li> </ul> </li> </ul>	Yes Max. 10 Max. 24 Max. 14 Max. 24
<b>CBA (at 50 % communication load)</b>	
<ul style="list-style-type: none"> <li>• Maximum data length for arrays and structures between two partners                             <ul style="list-style-type: none"> <li>– Acyclic PROFINET interconnections</li> <li>– Cyclic PROFINET interconnections</li> <li>– Local interconnections</li> </ul> </li> </ul>	1400 bytes 450 bytes Slave-dependent
• Number of coupled PROFIBUS devices	16
• Total of all master/slave connections	1000
• Number of device-internal and PROFIBUS interconnections	500
• Number of remote interconnecting partners	32
<b>Remote interconnections with acyclical transmission</b>	
Scan rate: Minimum scan interval	500 ms
Number of incoming interconnections	100
Number of outgoing interconnections	100
<b>Remote interconnections with cyclical transmission</b>	
Scan rate: Minimum scan interval	10 ms
Number of incoming interconnections	200
Number of outgoing interconnections	200
<b>HMI interconnections via PROFINET (acyclic)</b>	
HMI interconnections	500 ms
Number of HMI variables	200
Sum of all interconnections	4000 bytes input/4000 bytes output
<b>Interfaces</b>	
<b>1st interface</b>	
Type of interface	Integrated RS485 interface
Physics	RS 485
electrically isolated	Yes
Interface power supply (15 to 30 VDC)	max. 200 mA
<b>Functionality</b>	
• MPI	Yes
• PROFIBUS DP	Yes
• Point-to-point communication	No
• PROFINET	No

www.DataSheet4U.com

Technical data	
<b>MPI</b>	
Services	
• PG/OP communication	Yes
• Routing	Yes
• Global data communication	Yes
• S7 basic communication	Yes
• S7 communication	Yes
– As server	Yes
– As client	No (but via CP and loadable FBs)
• Transmission rates	Max. 12 Mbps
<b>DP master</b>	
Services	
• PG/OP communication	Yes
• Routing	Yes
• Global data communication	No
• S7 basic communication	No
• S7 communication	No
• Constant bus cycle time	Yes
• SYNC/FREEZE	Yes
• DPV1	Yes
Transmission speed	Up to 12 Mbps
Number of DP slaves	124
<b>DP slave</b>	
Services	
• Routing	Yes (only if interface is active)
• Global data communication	No
• S7 basic communication	No
• S7 communication	No
• Direct data exchange	Yes
• Transmission rates	Up to 12 Mbps
• Automatic baud rate search	Yes (only if interface is passive)
• Intermediate memory	244 bytes I / 244 bytes O
• Address areas	max. 32 with max. 32 bytes each
• DPV1	No
<b>2nd interface</b>	
Type of interface	PROFINET
Physics	
electrically isolated	Yes
Autosensing (10/100 Mbps)	Yes

www.DataSheet4U.com

<b>Technical data</b>	
<b>Functionality</b>	
• PROFINET	Yes
• MPI	No
• PROFIBUS DP	No
• Point-to-point communication	No
<b>Services</b>	
• PG communication	Yes
• OP communication	Yes
• S7 communication – Max. configurable interconnections	Yes (with loadable FBs) 16
• Routing	Yes
• PROFINET IO	Yes
• PROFINET CBA	Yes
<b>PROFINET IO</b>	
Number of integrated PROFINET IO controllers	1
Number of connectable PROFINET IO devices	128
Max. user data consistency with PROFINET IO	256 bytes
Update Time	1 ms to 512 ms The minimum value is determined by the set communication portion for PROFINET IO, the number of IO devices and the amount of configured user data.
<b>S7 protocol functions</b>	
• PG functions	Yes
• OP functions	Yes
• Open IE communication via TCP/IP	Yes
<b>GSD file</b>	The latest GSD file is available at: <a href="http://www.ad.siemens.de/support">http://www.ad.siemens.de/support</a> in the Product Support area
<b>Programming</b>	
Programming language	LAD/FBD/STL
Available instructions	See the Instruction List
Nesting levels	8
System functions (SFCs)	See the Instruction List
System function blocks (SFBs)	See the Instruction List
User program security	Yes
<b>Dimensions</b>	
Mounting dimensions W x H x D (mm)	80 x 125 x 130
Weight	460 g

www.DataSheet4U.com

Technical data	
<b>Voltages and currents</b>	
Power supply (rated value)	24 VDC
• Permitted range	20.4 V to 28.8 V
Current consumption (no-load operation)	100 mA
Inrush current	Typically 2.5 A
$I^2t$	Min. 1 A <sup>2</sup> s
External fusing of power supply lines (recommended)	min. 2 A
Power loss	Typically 3.5 W

www.DataSheet4U.com

## Appendix

### A.1 Information about upgrading to a CPU 31xC or CPU 31x

#### A.1.1 Area of applicability

##### Who should read this information?

You are already using a CPU from the SIEMENS S7-300 series and now want to upgrade to a new device.

Please note that problems may occur while downloading your user program to the "new" CPU.

##### If you have used one of the following CPUs in the past ...

CPU	Order number	as of version	
		Firmware	Hardware
CPU 312 IFM	6ES7 312-5AC02-0AB0	1.0.0	01
	6ES7 312-5AC82-0AB0		
CPU 313	6ES7 313-1AD03-0AB0	1.0.0	01
CPU 314	6ES7 314-1AE04-0AB0	1.0.0	01
	6ES7 314-1AE84-0AB0		
CPU 314 IFM	6ES7 314-5AE03-0AB0	1.0.0	01
CPU 314 IFM	6ES7 314-5AE83-0AB0	1.0.0	01
CPU 315	6ES7 315-1AF03-0AB0	1.0.0	01
CPU 315-2 DP	6ES7 315-2AF03-0AB0	1.0.0	01
	6ES7 315-2AF83-0AB0		
CPU 316-2 DP	6ES7 316-2AG00-0AB0	1.0.0	01
CPU 318-2 DP	6ES7 318-2AJ00-0AB0	V3.0.0	03

... then please note if you upgrade to one of the following CPUs

CPU	Order number	From version		Hereafter called
		Firmware	Hardware	
312	6ES7312-1AD10-0AB0	V2.0.0	01	CPU 31xC/31x
312C	6ES7312-5BD01-0AB0	V2.0.0	01	
313C	6ES7313-5BE01-0AB0	V2.0.0	01	
313C-2 PtP	6ES7313-6BE01-0AB0	V2.0.0	01	
313C-2 DP	6ES7313-6CE01-0AB0	V2.0.0	01	
314	6ES7314-1AF10-0AB0	V2.0.0	01	
314C-2 PtP	6ES7314-6BF01-0AB0	V2.0.0	01	
314C-2 DP	6ES7314-6CF01-0AB0	V2.0.0	01	
315-2 DP	6ES7315-2AG10-0AB0	V2.0.0	01	
315-2 PN/DP	6ES7315-2EG10-0AB0	V2.3.0	01	
317-2 DP	6ES7317-2AJ10-0AB0	V2.1.0	01	
317-2 PN/DP	6ES7317-2EJ10-0AB0	V2.3.0	01	

## Reference

If you intend to migrate from PROFIBUS DP to PROFINET, we also recommend the following manual: *Guide: From PROFIBUS DP to PROFINET IO*

## See also

DPV1 (Page 3-32)

## A.1.2 Changed behavior of certain SFCs

### SFC 56, SFC 57 and SFC 13 which work asynchronously

Some of the SFCs that work asynchronously, when used on CPUs 312IFM – 318-2 DP, were always, or under certain conditions, processed after the first call ("quasi-synchronous").

On the 31xC/31x CPUs these SFCs actually run asynchronously. Asynchronous processing may cover multiple OB1 cycles. As a result, a wait loop may turn into an endless loop within an OB.

The following SFCs are affected:

- SFC 56 "WR\_DPARM"; SFC 57 "PARM\_MOD"

On CPUs 312 IFM to 318-2 DP, these SFCs always work "quasi-synchronously" during communication with centralized I/O modules and always work synchronously during communication with distributed I/O modules.



---

**Note**

If you are using SFC 56 "WR\_DPARM" or SFC 57 "PARM\_MOD", you should always evaluate the SFC's BUSY bit.

---

- SFC 13 "DPNRM\_DG"

On CPUs 312 IFM to 318-2 DP, this SFC always works "quasi synchronously" when it is called in OB82. On CPUs 31xC/31x it generally works asynchronously.

---

**Note**

In the user program, the job should merely be started in OB 82. The data should be evaluated in the cyclical program, taking account of the BUSY bits and the value returned in RET\_VAL.

---

**Hint**

If you are using a CPU 31xC/31x, we recommend that you use SFB 54, rather than SFC 13 "DPNRM\_DG".

**SFC 20 "BLKMOV"**

In the past, this SFC could be used with CPUs 312 IFM to 318-2 DP to copy data from a non runtime-related DB.

SFC 20 no longer has this functionality with CPUs 31xC/31x. SFC83 "READ\_DBL" is now used instead.

**SFC 54 "RD\_DPARM"**

This SFC is no longer available on CPUs 31xC/31x. Use SFC 102 "RD\_DPARA" instead, which works asynchronously.

### SFCs that may return other results

You can ignore the following points if you only use logical addressing in your user program.

When using address conversion in your user program (SFC 5 "GADR\_LGC", SFC 49 "LGC\_GADR"), you must check the assignment of the slot and logical start address for your DP slaves.

- In the past, the diagnostic address of a DP slave was assigned to the slave's virtual slot 2. Since DPV1 was standardized, this diagnostic address has been assigned to virtual slot 0 (station proxy) for CPUs 31xC/31x.
- If the slave has modeled a separate slot for the interface module (e.g. CPU31x-2 DP as an intelligent slave or IM 153), then its address is assigned to slot 2.

www.DataSheet4U.com

### Activating / deactivating DP slaves via SFC 12

With CPUs 31xC/31x, slaves that were deactivated via SFC 12 are no longer automatically activated at the RUN to STOP transition. Now they are not activated until they are restarted (STOP to RUN transition).

## A.1.3 Interrupt events from distributed I/Os while the CPU status is in STOP

### Interrupt events from distributed I/Os while the CPU status is in STOP

With the new DPV1 functionality (IEC 61158/ EN 50170, volume 2, PROFIBUS), the handling of incoming interrupt events from the distributed I/Os while the CPU status is in STOP has also changed.

### Previous response by the CPU with STOP status

With CPUs 312IFM – 318-2 DP, initially an interrupt event was noticed while the CPU was in STOP mode. When the CPU status subsequently returned to RUN, the interrupt was then fetched by an appropriate OB (e.g. OB 82).

### New response by the CPU

With CPUs 31xC/31x, an interrupt event (process or diagnostic interrupt, new DPV1 interrupts) is acknowledged by the distributed I/O while the CPU is still in STOP status, and is entered in the diagnostic buffer if necessary (diagnostic interrupts only). When the CPU status subsequently returns to RUN, the interrupt is no longer fetched by the OB. Possible slave faults can be read using suitable SSL queries (e.g. read SSL 0x692 via SFC51).

## A.1.4 Runtimes that change while the program is running

### Runtimes that change while the program is running

If you have created a user program that has been fine-tuned in relation to certain processing times, please note the following points if you are using a CPU 31xC/31x:

- the program will run much faster on the CPU 31xC/31x.
- Functions that require MMC access (e.g. system start-up time, program download in RUN, return of DP station, etc), may sometimes run slower on the CPU 31xC/31x.

www.DataSheet4U.com

## A.1.5 Converting the diagnostic addresses of DP slaves

### Converting the diagnostic addresses of DP slaves

If you are using a CPU 31xC/31x with DP interface as the master, please note that you may have to reassign the diagnostic addresses for the slaves since the changes to the DPV1 standard sometimes require two diagnostic addresses per slave.

- The virtual slot 0 has its own address (diagnostic address of the station proxy). The module status data for this slot (read SSL 0xD91 with SFC 51 "RDSYSST") contains IDs that relate to the entire slave/station, e.g. the station error ID. Failure and restoration of the station are also signaled in OB86 on the master via the diagnostic address of the virtual slot 0.
- At some of the slaves the interface module is also modeled as a separate virtual slot (for example, CPU as an intelligent slave or IM153), and a suitable separate address is assigned to virtual slot 2.  
The change of operating status is signaled in the master's diagnostic interrupt OB 82 via this address for CPU 31xC-2DP acting as an intelligent slave.

---

#### Note

Reading diagnostics data with SFC 13 "DPNRM\_DG":

The originally assigned diagnostics address still works. Internally, STEP 7 assigns this address to slot 0.

---

When using SFC51 "RDSYSST", for example, to read module status information or module rack/station status information, you must also consider the change in slot significance as well as the additional slot 0.

## A.1.6 Reusing existing hardware configurations

### Reusing existing hardware configurations

If you reuse the configuration of a CPU 312 IFM to 318-2 DP for a CPU 31xC/31x, the CPU 31xC/31x may not run correctly.

If this is the case, you will have to replace the CPU in the STEP 7 hardware configuration editor. When you replace the CPU, STEP 7 will automatically accept all the settings (if appropriate and possible).

www.DataSheet4U.com

## A.1.7 Replacing a CPU 31xC/31x

### Replacing a CPU 31xC/31x

When supplied, the CPU 31xC/31x adds a connecting plug to the power supply connector.

You no longer need to disconnect the cables of the CPU when you replace a 31xC / 31x CPU. Insert a screwdriver with 3.5 mm blade into the right side of the connector to open the interlock mechanism, then unplug it from the CPU. Once you have replaced the CPU, simply plug the connecting plug back into the power supply connector.

## A.1.8 Using consistent data areas in the process image of a DP slave system

### Consistent data

The table below illustrates the points to consider with respect to communication in a **DP master system** if you want to transfer I/O areas with "Total length" consistency. You can transfer a maximum of 128 bytes of consistent data.

Table A-1 Consistent data

CPU 315-2 DP (as of firmware 2.0.0), CPU 317, CPU 31xC	CPU 315-2 DP (as of firmware 1.0.0), CPU 316-2 DP, CPU 318-2 DP (firmware < 3.0)	CPU 318-2 DP (firmware >= 3.0)
<p>The address area of consistent data in the process image is automatically updated.</p> <p>To read and write consistent data, you can also use SFC 14 and SFC 15. If the address area of consistent data is not in the process image, you must use SFC 14 and SFC 15 to read and write consistent data.</p> <p>Direct access to consistent areas is also possible (e.g. L PEW or T PAW).</p>	<p>Even if they exist in the process image, consistent data is not automatically updated.</p> <p>To read and write consistent data, you must use SFC14 and 15.</p>	<p>You can choose whether or not to update the address area of consistent data in the process image.</p> <p>To read and write consistent data, you can also use SFC 14 and SFC 15.</p> <p>If the address area of consistent data is not in the process image, you must use SFC 14 and SFC 15 to read and write consistent data.</p> <p>Direct access to consistent areas is also possible (for example, L PEW or T PAW).</p>

## A.1.9 Load memory concept for the CPU 31xC/31x

### Load memory concept for the CPU 31xC/31x

On CPUs 312 IFM to 318-2 DP, the load memory is integrated into the CPU and may be extended with a memory card,

The load memory of the CPU 31xC/31x is located on the micro memory card (MMC), and is retentive. When blocks are downloaded to the CPU, they are stored on the MMC and cannot be lost even in the event of a power failure or memory reset.

www.DataSheet4U.com

### Reference

See also the *Memory concept* chapter in the *CPU Data 31xC and 31x manual*.

---

#### Note

User programs can only be downloaded and thus the CPU can only be used if the MMC is inserted.

---

## A.1.10 PG/OP functions

### PG/OP functions

With CPUs 315-2 DP (6ES7315-2AFx3-0AB0), 316-2DP and 318-2 DP, PG/OP functions at the DP interface were only possible if the interface was set to active. With CPUs 31xC/31x, these functions are possible at both active and passive interfaces. The performance of the passive interface is considerably lower, however.

## A.1.11 Routing for the CPU 31xC/31x as an intelligent slave

### Routing for the CPU 31xC/31x as an intelligent slave

If you use the CPU 31xC/31x as an intelligent slave, the routing function can only be used with an actively-configured DP interface.

In the properties of the DP interface in STEP 7, select the "Test, Commissioning, Routing" check box of the "DP-Slave" option.

## A.1.12 Changed retentive behavior for CPUs with firmware $\geq$ V2.1.0

### Changed retentive behavior for CPUs with firmware $\geq$ V2.1.0

For data blocks for these CPUs

- you can set the retentive response in the block properties of the DB.
- Using SFC 82 "CREA\_DBL" -> Parameter ATTRIB, NON\_RETAIN bit, you can specify if the actual values of a DB should be maintained at POWER OFF/ON or STOP-RUN (retentive DB) or if the start values should be read from the load memory (non-retentive DB).

www.DataSheet4U.com

## A.1.13 FM/CPs with separate MPI address in the central rack of a CPU 315-2 PN/DP / CPU 317

### FM/CPs with separate MPI address in the central rack of a CPU 315-2 PN/DP / CPU 317

All CPUs, except CPU 315-2 PN/DP, CPU 317 and CPU 318-2 DP	CPU 315-2 PN/DP, CPU 317 and CPU 318-2 DP
If there are FM/CPs with their own MPI address in the central rack of an S7-300, then they are in the exact same CPU subnet as the CPU MPI station.	If there are FM/CPs with their own MPI address in the central rack of an S7-300, then the CPU forms its own communication bus via the backplane bus with these FM/CPs, which are separated from the other subnets.  The MPI address of such an FM/CP is no longer relevant for the stations on other subnets. The communication to the FM/CP is made via the MPI address of the CPU.

When exchanging your existing CPU with a CPU 315-2 PN/DP / CPU 317, you therefore need to:

- replace the CPU in your STEP 7 project with the CPU 315-2 PN/DP / CPU 317.
- Reconfigure the OPs. The control and the destination address must be reassigned (= the MPI address of the CPU 315-2 PN/DP / CPU 317 and the slot of the respective FM)
- Reconfigure the project data for FM/CP to be loaded to the CPU.

This is required for the FM/CP in this rack to remain "available" to the OP/PG.

### A.1.14 Using loadable blocks for S7 communication for the integrated PROFINET interface

If you have already used S7 communication via CP with loadable FBs (FB 8, FB 9, FB 12 – FB 15 and FC 62 with version V1.0) from the SIMATIC\_NET\_CP STEP 7 library (these blocks all feature the family type CP300 PBK) and now want to use the integrated PROFINET interface for S7 communication, you must use the corresponding blocks from the Standard Library\Communication Blocks STEP 7 library in your program (the corresponding blocks FB 8, FB 9, FB 12 – FB 15 and FC 62 have at least version V1.1 and family type CPU\_300).

www.DataSheet4U.com

#### Procedure

1. Download and overwrite the old FBs/FCs in your program container with the corresponding blocks from the standard library.
2. Update the corresponding block calls, including updating the instance DBs, in your user program.



# Glossary

## Accumulator

Accumulators represent CPU register and are used as buffer memory for download, transfer, comparison, calculation and conversion operations.

## Address

An address is the identifier of a specific address or address area. Examples: Input I 12.1; Flag Word MW 25; Data Block DB 3.

## Analog module

Analog modules convert process values (e.g. temperature) into digital values which can be processing in the CPU, or they convert digital values into analog manipulated variables.

## Application

An application is a program that runs directly on the MS-DOS / Windows operating system. Applications on the PG include, for example, the STEP 5 basic package, GRAPH 5 and others.

*See User program*

## ASIC

ASIC is the acronym for Application Specific Integrated Circuits.

PROFINET ASICs are components with a wide range of functions for the development of your own devices. They implement the requirements of the PROFINET standard in a circuit and allow extremely high packing densities and performance.

Because PROFINET is an open standard, SIMATIC NET offers PROFINET ASICs for the development of your old devices under the name ERTEC .

## Backplane bus

The backplane bus is a serial data bus. It supplies power to the modules and is also used by the modules to communicate with each other. Bus connectors interconnect the modules.

### Backup memory

Backup memory ensures buffering of the memory areas of a CPU without backup battery. It backs up a configurable number of timers, counters, flag bits, data bytes and retentive timers, counters, flag bits and data bytes).

### Bus

A bus is a communication medium connecting several nodes. Data can be transferred via serial or parallel circuits, that is, via electrical conductors or fiber optic.

### Bus segment

A bus segment is a self-contained section of a serial bus system. Bus segments are interconnected via repeaters.

### Clock flag bits

flag bit which can be used to generate clock pulses in the user program (1 byte per flag bit).

---

#### Note

When operating with S7300 CPUs, make sure that the byte of the clock memory bit is not overwritten in the user program!

---

### Coaxial Cable

A coaxial cable, also known as "coax", is a metallic cabling system used in high-frequency transmission, for example as the antenna cable for radios and televisions as well as in modern networks in which high data transmission rates are required. In a coaxial cable, an inner conductor is surrounded by an outer tube-like conductor. The two conductors are separated by a dielectric layer. In contrast to other cables, this design provides a high degree of immunity to and low emission of electromagnetic interference.

### Code block

A SIMATIC S7 code block contains part of the **STEP 7** user program. (in contrast to a DB: this contains only data.)

### Communication processor

Communications processors are modules for point-to-point and bus links.

### Component-Based automation

*See PROFINET CBA*

## Compress

The PG online function "Compress" is used to rearrange all valid blocks in CPU RAM in one continuous area of user memory, starting at the lowest address. This eliminates fragmentation which occurs when blocks are deleted or edited.

## Configuration

Assignment of modules to module racks/slots and (e.g. for signal modules) addresses.

## Consistent data

Data which are related in their contents and not to be separated are referred to as consistent data.

For example, the values of analog modules must always be handled consistently, that is, the value of an analog module must not be corrupted as a result of read access at two different points of time.

## Counters

Counters are part of CPU system memory. The content of "Counter cells" can be modified by **STEP 7** instructions (for example, up/down count.)

## CP

*See Communication processor*

## CPU

Central processing unit = CPU of the S7 automation system with a control and arithmetic unit, memory, operating system, and interface for programming device.

## Cycle time

The cycle time represents the time a CPU requires for one execution of the user program.

## Cyclic interrupt

*See Interrupt, cyclic interrupt*

## Data block

Data blocks (DB) are data areas in the user program which contain user data. There are global data blocks which can be accessed by all code blocks, and instance data blocks which are assigned to a specific FB call.

## Data, static

Static data can only be used within a function block. These data are saved in an instance data block that belongs to a function block. Data stored in an instance data block are retained until the next function block call.

## Data, temporary

Temporary data represent local data of a block. They are stored in the L-stack when the block is executed. After the block has been processed, these data are no longer available.

## Default Router

The default router is the router that is used when data must be forwarded to a partner located within the same subnet.

In STEP 7, the default router is named *Router*. STEP 7 assigns the local IP address to the default router.

www.DataSheet4U.com

## Determinism

*See Real Time*

## Device

Within the context of PROFINET, "device" is the generic term for:

- Automation systems,
- Field devices (for example, PLC, PC),
- Active network components (for example, distributed I/O, valve blocks, drives),
- hydraulic devices and
- pneumatic devices.

The main characteristic of a device is its integration in PROFINET communication over Ethernet or PROFIBUS.

The following device types are distinguished based on their attachment to the bus:

- PROFINET devices
- PROFIBUS devices

*See PROFIBUS Device*

*See PROFINET Device*

## Device Name

Before an IO device can be addressed by an IO controller, it must have a device name. In PROFINET, this method was selected because it is simpler to work with names than with complex IP addresses.

The assignment of a device name for a concrete IO device can be compared with setting the PROFIBUS address of a DP slave.

When it ships, an IO device does not have a device name. An IO device can only be addressed by an IO controller, for example for the transfer of project engineering data (including the IP address) during startup or for user data exchange in cyclic operation, after it has been assigned a device name with the PG/PC .

### Diagnostic buffer

The diagnostics buffer represents a buffered memory area in the CPU. It stores diagnostic events in the order of their occurrence.

### Diagnostic Interrupt

Modules capable of diagnostics operations report detected system errors to the CPU by means of diagnostic interrupts.

### Diagnostics

*See System diagnostics*

### DP master

A master which behaves in accordance with EN 50170, Part 3 is known as a DP master.

### DP slave

A slave operated on PROFIBUS with PROFIBUS DP protocol and in accordance with EN 50170, Part 3 is referred to as DP slave.

### DPV1

The designation DPV1 means extension of the functionality of the acyclical services (to include new interrupts, for example) provided by the DP protocol. The DPV1 functionality has been incorporated into IEC 61158/EN 50170, volume 2, PROFIBUS.

### Electrically isolated

The reference potential of the control and on-load power circuits of isolated I/O modules is electrically isolated; for example, by optocouplers, relay contact or transformer. I/O circuits can be interconnected with a root circuit.

### Equipotential bonding

Electrical connection (equipotential bonding conductor) which eliminates potential difference between electrical equipment and external conductive bodies by drawing potential to the same or near the same level, in order to prevent disturbing or dangerous voltages between these bodies.

### Error display

One of the possible reactions of the operating system to a runtime error is to output an error message. Further reactions: Error reaction in the user program, CPU in STOP.

### Error handling via OB

After the operating system has detected a specific error (e.g. access error with **STEP 7**), it calls a dedicated block (Error OB) that determines further CPU actions.

## Error response

Reaction to a runtime error. Reactions of the operating system: It sets the automation system to STOP, indicates the error, or calls an OB in which the user can program a reaction.

## ERTEC

*See ASIC*

## Fast Ethernet

Fast Ethernet describes the standard with which data is transmitted at 100 Mbps. Fast Ethernet uses the 100 Base-T standard.

## FB

*See Function block*

## FC

*See Function*

## Flag bits

Flag bits are part of the CPU's system memory. They store intermediate results of calculations. They can be accessed in bit, word or dword operations.

## Flash EPROM

FEPROMs can retain data in the event of power loss, same as electrically erasable EEPROMs. However, they can be erased within a considerably shorter time (FEPROM = Flash Erasable Programmable Read Only Memory). They are used on Memory Cards.

## Force

The Force function can be used to assign the variables of a user program or CPU (also: inputs and outputs) constant values.

In this context, please note the limitations listed in the *Overview of the test functions section in the chapter entitled Test functions, Diagnostics and Troubleshooting in the S7-300 Installation manual.*

## Function

According to IEC 1131-3, a function (FC) is a --> code block without --> static data. A function allows transfer of parameters in user program. Functions are therefore suitable for programming frequently occurring complex functions, e.g. calculations.

## Function block

According to IEC 1131-3, a function block (FB) is a --> code block with --> static data. An FB allows the user program to pass parameters. Function blocks are therefore suitable for programming frequently occurring complex functions, e.g. controls, mode selections.

## Functional ground

Grounding which has the sole purpose of safeguarding the intended function of electrical equipment. With functional grounding you short-circuit interference voltage which would otherwise have an unacceptable impact on equipment.

www.DataSheet4U.com

## GD circuit

A GD circuit comprises a number of CPUs sharing data by means of global data communication, and is used as follows:

- A CPU broadcasts a GD packet to the other CPUs.
- A CPU sends and receives a GD packet from another CPU.

A GD circuit is identified by a GD circuit number.

## GD element

A GD element is generated by assigning shared global data. It is identified by a unique global data ID in the global data table.

## GD packet

A GD packet can consist of one or several GD elements transmitted in a single message frame.

## Global data

Global data can be addressed from any code block (FC, FB, OB). In particular, this refers to flag bits M, inputs I, outputs Q, timers, counters and data blocks DB. Global data can be accessed via absolute or symbolic addressing.

## Global data communication

Global data communication is a method of transferring global data between CPUs (without CFBs).

## Ground

The conductive earth whose electrical potential can be set equal to zero at any point.

Ground potential can be different from zero in the area of grounding electrodes. The term reference ground is frequently used to describe this situation.

Grounding means, to connect an electrically conductive component via an equipotential grounding system to a grounding electrode (one or more conductive components with highly conductive contact to earth).

Chassis ground is the totality of all the interconnected passive parts of a piece of equipment on which dangerous fault-voltage cannot occur.

### GSD file

The properties of a PROFINET device are described in a GSD file (General Station Description) that contains all the information required for configuration.

Just as in PROFIBUS, you can integrate a PROFINET device in STEP 7 using a GSD file.

In PROFINET IO, the GSD file is in XML format. The structure of the GSD file complies with ISO 15734, the worldwide standard for device descriptions.

In PROFIBUS, the GSD file is in ASCII format.

www.DataSheet4U.com

### Hub

In contrast to a switch, a hub sets itself to the lowest speed at the ports and forwards the signals to all connected devices. A hub is also not capable of giving priority to signals. This would lead to a high communication load on Industrial Ethernet.

*See Switch*

### Industrial Ethernet

Industrial Ethernet (formerly SINEC H1) is a technology that allows data to be transmitted free of interference in an industrial environment.

Due to the openness of PROFINET, you can use standard Ethernet components. We recommend, however, that you install PROFINET as Industrial Ethernet.

*See Fast Ethernet*

### Instance data block

The **STEP 7** user program assigns an automatically generated DB to every call of a function block. The instance data block stores the values of inputs / outputs and in/out parameters, as well as local block data.

### Interface, MPI-capable

*See MPI*

### Interrupt

The CPU's operating system knows 10 different priority classes for controlling user program execution. These priority classes include interrupts, e.g. process interrupts. When an interrupt is triggered, the operating system automatically calls an assigned OB. In this OB the user can program the desired response (e.g. in an FB).

### Interrupt, cyclic interrupt

A cyclic interrupt is generated periodically by the CPU in a configurable time pattern. A corresponding OB will be processed.



**Interrupt, delay**

The delay interrupt belongs to one of the priority classes in SIMATIC S7 program processing. It is generated on expiration of a time started in the user program. A corresponding OB will be processed.

*See Interrupt, delay*

**Interrupt, diagnostic**

*See Diagnostic Interrupt*

www.DataSheet4U.com

**Interrupt, process**

*See Process interrupt*

**Interrupt, status**

A status interrupt can be generated by a DPV1 slave and causes OB 55 to be called on the DPV1 master. For detailed information on OB 55, see the *Reference Manual System software for S7-300/400: System and Standard Functions*.

**Interrupt, time-of-day**

The time-of-day interrupt belongs to one of the priority classes in SIMATIC S7 program processing. It is generated at a specific date (or daily) and time-of-day (e.g. 9:50 or hourly, or every minute). A corresponding OB will be processed.

**Interrupt, update**

An update interrupt can be generated by a DPV1 slave and causes OB56 to be called on the DPV1 master. For detailed information on OB56, see the *Reference Manual System software for S7-300/400: System and Standard Functions*.

**Interrupt, vendor-specific**

A vendor-specific interrupt can be generated by a DPV1 slave. It causes OB57 to be called on the DPV1 master.

For detailed information on OB 57, see the *Reference Manual System Software for S7-300/400: System and Standard Functions*.

**IO controller**

*See PROFINET IO Controller*

*See PROFINET IO Device*

*See PROFINET IO Supervisor*

*See PROFINET IO System*

## IO device

*See PROFINET IO Controller*  
*See PROFINET IO Device*  
*See PROFINET IO Supervisor*  
*See PROFINET IO System*

## IO supervisor

*See PROFINET IO Controller*  
*See PROFINET IO Device*  
*See PROFINET IO Supervisor*  
*See PROFINET IO System*

## IO system

*See PROFINET IO System*

## IP address

To allow a PROFINET device to be addressed as a node on Industrial Ethernet, this device also requires an IP address that is unique within the network. The IP address is made up of 4 decimal numbers with a range of values from 0 through 255. The decimal numbers are separated by a period.

The IP address is made up of

- The address of the (subnet) network and
- The address of the node (generally called the host or network node).

## LAN

Local area network to which several computers are connected within an enterprise. The LAN therefore has a limited geographical span and is solely available to a company or institution.

## Load memory

Load memory is part of the CPU. It contains objects generated by the programming device. It is implemented either as a plug-in Memory Card or permanently integrated memory.

## Load power supply

Power supply to the signal / function modules and the process I/O connected to them.

## Local data

*See Data, temporary*

## MAC address

Each PROFINET device is assigned a worldwide unique device identifier in the factory. This 6-byte long device identifier is the MAC address.

The MAC address is divided up as follows:

- 3 bytes vendor identifier and
- 3 bytes device identifier (consecutive number).

The MAC address is normally printed on the front of the device.

Example: 08-00-06-6B-80-C0

www.DataSheet4U.com

## Master

When a master is in possession of the token, it can send data to other nodes and request data from other nodes (= active node).

*See Slave*

## Memory Card (MC)

Memory Cards are memory media for CPUs and CPs. They are implemented in the form of RAM or FEPRAM. An MC differs from a Micro Memory Card only in its dimensions (MC is approximately the size of a credit card).

## Micro Memory Card (MMC)

Micro Memory Cards are memory media for CPUs and CPs. Their only difference to the Memory Card is the smaller size.

## Module parameters

Module parameters are values which can be used to configure module behavior. A distinction is made between static and dynamic module parameters.

## MPI

The multipoint interface (MPI) is the programming device interface of SIMATIC S7. It enables multiple-node operation (PGs, text-based displays, OPs) on one or several PLCs. Each node is identified by a unique address (MPI address).

## MPI address

*See MPI*

## NCM PC

*See SIMATIC NCM PC*

### Nesting depth

A block can be called from another by means of a block call. Nesting depth is referred to as the number of simultaneously called code blocks.

### Network

A network is a larger communication system that allows data exchange between a large number of nodes.

All the subnets together form a network.

A network consists of one or more interconnected subnets with any number of nodes. Several networks can exist alongside each other.

www.DataSheet4U.com

### Non-isolated

The reference potential of the control and on-load power circuits of non-isolated I/O modules is electrically interconnected.

### OB

*See Organization blocks*

### OB priority

The CPU operating system distinguishes between different priority classes, for example, cyclic program execution, process interrupt controlled program processing. Each priority class is assigned organization blocks (OBs) in which the S7 user can program a response. The OBs are assigned different default priority classes. These determine the order in which OBs are executed or interrupt each other when they appear simultaneously.

### Operating state

SIMATIC S7 automation systems know the following operating states: STOP, START, RUN.

### Operating system

The CPU OS organizes all functions and processes of the CPU which are not associated to a specific control task.

*See CPU*

### Organization blocks

Organization blocks (OBs) form the interface between CPU operating system and the user program. OBs determine the sequence for user program execution.

### Parameters

1. Variable of a **STEP 7** code block
2. Variable for declaring module response (one or several per module). All modules have a

---

suitable basic factory setting which can be customized in **STEP 7**.  
There are static and dynamic parameters

### Parameters, dynamic

Unlike static parameters, you can change dynamic module parameters during runtime by calling an SFC in the user program, e.g. limit values of an analog signal input module.

### Parameters, static

Unlike dynamic parameters, static parameters of modules cannot be changed by the user program. You can only modify these parameters by editing your configuration in **STEP 7**, for example, modification of the input delay parameters of a digital signal input module.

### PC station

*See SIMATIC PC Station*

### PG

*See Programming device*

### PLC

Programmable controllers (PLCs) are electronic controllers whose function is saved as a program in the control unit. Therefore, the configuration and wiring of the unit does not depend on the PLC function. A programmable logic controller has the structure of a computer; it consists of a CPU with memory, input/output modules and an internal bus system. The I/O and the programming language are oriented to control engineering needs.

A PLC in the context of SIMATIC S7 --> is a programmable logic controller.

*See CPU*

### PNO

*See PROFIBUS International*

### Priority class

The S7 CPU operating system provides up to 26 priority classes (or "Program execution levels"). Specific OBs are assigned to these classes. The priority classes determine which OBs interrupt other OBs. Multiple OBs of the same priority class do not interrupt each other. In this case, they are executed sequentially.

### Process image

The process image is part of CPU system memory. At the start of cyclic program execution, the signal states at the input modules are written to the process image of the inputs. At the end of cyclic program execution, the signal status of the process image of the outputs is transferred to the output modules.

### Process interrupt

A process interrupt is triggered by interrupt-triggering modules as a result of a specific event in the process. The process interrupt is reported to the CPU. The assigned organization block will be processed according to interrupt priority.

### Process-Related Function

*See PROFINET Component*

### Product version

The product version identifies differences between products which have the same order number. The product version is incremented when forward-compatible functions are enhanced, after production-related modifications (use of new parts/components) and for bug fixes.

### PROFIBUS

Process Field Bus - European fieldbus standard.

*See PROFIBUS DP*

*See PROFIBUS International*

### PROFIBUS Device

A PROFIBUS node has at least one or more PROFIBUS ports.

A PROFIBUS device cannot take part directly in PROFINET communication but must be included over a PROFIBUS master with a PROFINET port or an Industrial Ethernet/PROFIBUS link (IE/PB Link) with proxy functionality.

*See Device*

### PROFIBUS DP

A PROFIBUS with the DP protocol that complies with EN 50170. DP stands for distributed peripheral I/O (fast, real-time, cyclic data exchange). From the perspective of the user program, the distributed I/O is addressed in exactly the same way as the central I/O.

*See PROFIBUS*

*See PROFIBUS International*

### PROFIBUS International

Technical committee that defines and further develops the PROFIBUS and PROFINET standard.

Also known as the PROFIBUS User Organization (PNO).

Home page [www.profibus.com](http://www.profibus.com)

## PROFINET

Within the framework of Totally Integrated Automation (TIA), PROFINET represents a consequent enhancement of:

- PROFIBUS DP, the proven field bus, and
- Industrial Ethernet, the communication bus at cell level.

Experience gained from both systems was and is being integrated into PROFINET.

PROFINET is an Ethernet-based automation standard of PROFIBUS International (previously PROFIBUS Users Organization e.V.), and defines a multi-vendor communication, automation, and engineering model.

*See PROFIBUS International*

## PROFINET ASIC

*See ASIC*

## PROFINET CBA

Within the framework of PROFINET, PROFINET CBA is an automation concept for the implementation of applications with distributed intelligence.

PROFINET CBA lets you create distributed automation solutions, based on default components and partial solutions.

Component-Based Automation allows you to use complete technological modules as standardized components in complex systems.

The components are also created in an engineering tool which may differ from vendor to vendor. Components of SIMATIC devices are created, for example, with STEP 7.

## PROFINET Component

A PROFINET component includes the entire data of the hardware configuration, the parameters of the modules, and the corresponding user program. The PROFINET component is made up as follows:

- Technological Function

The (optional) technological (software) function includes the interface to other PROFINET components in the form of interconnectable inputs and outputs.

- Device

The device is the representation of the physical programmable controller or field device including the I/O, sensors and actuators, mechanical parts, and the device firmware.

## PROFINET Device

A PROFINET device always has at least one Industrial Ethernet port. A PROFINET device can also have a PROFIBUS port as a master with proxy functionality.

*See Device*

## PROFINET IO

Within the framework of PROFINET, PROFINET IO is a communication concept for the implementation of modular, distributed applications.

PROFINET IO allows you to create automation solutions, which are familiar to you from PROFIBUS.

That is, you have the same application view in STEP 7, regardless of whether you configure PROFINET or PROFIBUS devices.

## PROFINET IO Controller

www.DataSheet4U.com

Device via which the connected IO devices are addressed. This means that the IO controller exchanges input and output signals with assigned field devices. The IO controller is often the controller on which the automation program runs.

*See PROFINET IO Device*

*See PROFINET IO Supervisor*

*See PROFINET IO System*

## PROFINET IO Device

Distributed field device assigned to one of the IO controllers (for example, remote I/O, valve terminal, frequency converter, switches)

*See PROFINET IO Controller*

*See PROFINET IO Supervisor*

*See PROFINET IO System*

## PROFINET IO Supervisor

PG/PC or HMI device for commissioning and diagnostics.

*See PROFINET IO Controller*

*See PROFINET IO Device*

*See PROFINET IO System*

## PROFINET IO System

PROFINET IO controller with assigned PROFINET IO devices.

*See PROFINET IO Controller*

*See PROFINET IO Device*

## Programming device

Basically speaking, PGs are compact and portable PCs which are suitable for industrial applications. Their distinguishing feature is the special hardware and software for SIMATIC programmable logic controllers.



## Proxy

The PROFINET device with proxy functionality is the substitute for a PROFIBUS device on Ethernet. The proxy functionality allows a PROFIBUS device to communicate not only with its master but also with all nodes on PROFINET.

You can integrate existing PROFIBUS systems into PROFINET communication, for example with the help of an IE/PB Link or a CPU 31x-2 PN/DP. IE/PB LinkThe IE/PB Link then handles communication over PROFINET as a substitute for the PROFIBUS components.

*See PROFINET Device*

## RAM

Work memory is a RAM memory in the CPU which is accessed by the processor during user program execution.

RAM (Random Access Memory) is a semiconductor read/write memory.

## Real Time

Real time means that a system processes external events within a defined time.

Determinism means that a system reacts in a predictable (deterministic) manner.

In industrial networks, both these requirements are important. PROFINET meets these requirements. PROFINET is implemented as a deterministic real-time network as follows:

- The transfer of time-critical data between different stations over a network within a defined interval is guaranteed.

To achieve this, PROFINET provides an optimized communication channel for real-time communication : Real Time (RT).

- An exact prediction of the time at which the data transfer takes place is possible.
- It is guaranteed that problem-free communication using other standard protocols, for example industrial communication for PG/PC can take place within the same network.

## Reduction factor

The reduction rate determines the send/receive frequency for GD packets on the basis of the CPU cycle.

## Reference ground

*See Ground*

## Reference potential

Voltages of participating circuits are referenced to this potential when they are viewed and/or measured.

## Repeater

*See Hub*

## Restart

On CPU start-up (e.g. after is switched from STOP to RUN mode via selector switch or with POWER ON), OB100 (restart) is initially executed, prior to cyclic program execution (OB1). On restart, the input process image is read in and the **STEP 7** user program is executed, starting at the first instruction in OB1.

## Retentive memory

A memory area is considered retentive if its contents are retained even after a power loss and transitions from STOP to RUN. The non-retentive area of memory flag bits, timers and counters is reset following a power failure and a transition from the STOP mode to the RUN mode.

Retentive can be the:

- Flag bits
- S7 timers
- S7 counters
- Data areas

## Router

A router works in a way similar to a switch. With a router, however, it is also possible to specify which communications nodes can communicate via the router and which cannot. Communication nodes on different sides of a router can only communicate with each other if you have explicitly enabled communication via the router between the two nodes.

*See Default Router*

*See Switch*

## RT

*See Real Time*

## Runtime error

Errors occurred in the PLC (that is, not in the process itself) during user program execution.

## Segment

*See Bus segment*

## SFB

*See System function block*

## SFC

*See System function*

## Signal module

Signal modules (SM) form the interface between the process and the PLC. There are digital input and output modules (input/output module, digital) and analog input and output modules (input/output module, analog).

## SIMATIC

Name of products and systems for industrial automation from Siemens AG.

## SIMATIC NCM PC

SIMATIC NCM PC is a version of STEP 7 tailored to PC configuration. For PC stations, it offers the full range of functions of STEP 7.

SIMATIC NCM PC is the central tool with which you configure the communication services for your PC station. The configuration data generated with this tool must be downloaded to the PC station or exported. This makes the PC station ready for communication.

## SIMATIC NET

Siemens business area for industrial communication, networks, and network components.

## SIMATIC PC Station

A "PC station" is a PC with communication modules and software components within a SIMATIC automation solution.

## Slave

A slave can only exchange data after being requested to by the master.

*See Master*

## SNMP

SNMP (Simple Network Management Protocol) is the standardized protocol for diagnostics of the Ethernet network infrastructure and for assignment of parameters to it.

Within the office area and in automation engineering, devices of a wide range of vendors support SNMP on Ethernet.

Applications based on SNMP can be operated on the same network at the same time as applications with PROFINET.

The range of functions supported differs depending on the device type. A switch, for example, has more functions than a CP 1616.

## STARTUP

A START-UP routine is executed at the transition from STOP to RUN mode. Can be triggered by means of the mode selector switch, or after power on, or by an operator action on the programming device. An S7-300 performs a restart.

## STEP 7

Engineering system. Contains programming software for the creation of user programs for SIMATIC S7 controllers.

## Subnet mask

The bits set in the subnet mask decides the part of the IP address that contains the address of the subnet/network.

In general:

- The network address is obtained by an AND operation on the IP address and subnet mask.
- The node address is obtained by an AND NOT operation on the IP address and subnet mask.

www.DataSheet4U.com

## Subnetwork

All the devices connected by switches are located in the same network - a subnet. All the devices in a subnet can communicate directly with each other.

All devices in the same subnet have the same subnet mask.

A subnet is physically restricted by a router.

## Substitute

*See Proxy*

## Substitute value

Substitute values are configurable values which output modules transfer to the process when the CPU switches to STOP mode.

In the event of an I/O access error, a substitute value can be written to the accumulator instead of the input value which could not be read (SFC 44).

## Switch

PROFIBUS is based on a bus topology. Communication nodes are connected by a passive cable - the bus.

In contrast, Industrial Ethernet is made up of point-to-point links: Each communication node is connected directly to one other communication node.

If a communication node needs to be connected to several other communication nodes, this communication node is connected to the port of an active network component- a switch. Other communications nodes (including switches) can then be connected to the other ports of the switch. The connection between a communication node and the switch remains a point-to-point link.

The task of a switch is therefore to regenerate and distribute received signals. The switch "learns" the Ethernet address(es) of a connected PROFINET device or other switches and forwards only the signals intended for the connected PROFINET device or connected switch.

A switch has a certain number of ports. At each port, connect a maximum of one PROFINET device or a further switch.

## System diagnostics

System diagnostics refers to the detection, evaluation and signaling of errors which occur within the PLC, Examples of such error/faults include: Program errors or failures on modules. System errors can be indicated by LEDs or in **STEP 7**.

## System function

A system function (SFC) is a --> function integrated in the operating system of the CPU that can be called when necessary in the STEP 7 user program.

## System function block

A system function block (SFB) is a --> function block integrated in the operating system of the CPU that can be called when necessary in the STEP 7 user program.

## System memory

System memory is an integrated RAM memory in the CPU. System memory contains the address areas (e.g. timers, counters, flag bits) and data areas that are required internally by the operating system (for example, communication buffers).

## System status list

The system status list contains data that describes the current status of an S7-300. You can always use this list to obtain an overview of:

- The configuration of the S7-300
- the current CPU configuration and configurable signal modules
- the current status and processes in the CPU and in configurable signal modules.

## Terminating resistor

The terminating resistor is used to avoid reflections on data links.

## Timer

*See Timers*

## Timers

Timers are part of CPU system memory. The content of timer cells is automatically updated by the operating system, asynchronously to the user program. **STEP 7** instructions are used to define the precise function of the timer cell (for example, on-delay) and to initiate their execution (for example, start).

## TOD interrupt

*See Interrupt, time-of-day*

### Token

Allows access to the bus for a limited time.

### Topology

Structure of a network. Common structures include:

- Bus topology
- Ring topology
- Star topology
- Tree topology

www.DataSheet4U.com

### Transmission rate

Data transfer rate (in bps)

### Twisted Pair

Fast Ethernet via twisted-pair cables is based on the IEEE 802.3u standard (100 Base-TX). The transmission medium is a 2x2 wire, twisted and shielded cable with a characteristic impedance of 100 ohms (AWG 22). The transmission characteristics of this cable must meet the requirements of category 5 (see glossary).

The maximum length of the connection between end device and network component must not exceed 100 m. The ports are implemented according to the 100 Base-TX standard with the RJ-45 connector system.

### Ungrounded

Having no direct electrical connection to ground

### User memory

User memory contains the code blocks / data blocks of the user program. User memory can be integrated in the CPU, or stored on plug-in Memory Cards or memory modules. However, the user program is principally processed from the RAM of the CPU.

### User program

In SIMATIC, a distinction is made between the operating system of the CPU and user programs. The user program contains all instructions and declarations, as well as signal processing data that can be controlled by the plant or the process. It is assigned to a programmable module (for example CPU or FM) and can be structured in smaller units (blocks).

*See Operating system*

*See STEP 7*

### Varistor

Voltage-dependent resistor

**WAN**

Network with a span beyond that of a local area network allowing, for example, intercontinental operation. Legal rights do not belong to the user but to the provider of the transmission networks.





# Index

## A

- Aim of this Documentation, iii
- Analog inputs
  - Configuration, 6-41
  - Not connected, 6-38
  - Technical data, 6-51
- Analog outputs
  - Not connected, 6-38
  - Technical data, 6-53
- Applicability of this manual, A-1, A-2
- Application area covered by this manual, iii
- Application View, 3-17, Glossary-16
- Automation concept, 3-17, Glossary-15

## B

- Blocks, 3-20
  - compatibility, 3-20
  - Download, 4-11
  - Upload, 4-12, 4-13

## C

- Communication
  - CPU services, 3-6
  - Data consistency, 3-16
  - Global data communication, 3-9
  - S7 basic communication, 3-7
  - S7 communication, 3-8
- Communication load
  - configured, 5-9
  - Dependency of physical cycle time, 5-10
  - Influence on the physical cycle time, 5-10
- Communications concept, 3-17, Glossary-16
- Component-Based automation, 3-17, Glossary-15
- Compression, 4-13
- Configuration
  - Interrupt inputs, 6-39
  - Standard AI, 6-41
  - Standard DI, 6-39
  - Standard DO, 6-41
  - Technological functions, 6-44

- Consistent data, A-7
- CPU 312C
  - Technical data, 6-3, 7-3, 7-8, 7-13, 7-26, 7-33
  - Usage of integrated I/Os, 6-28
- CPU 313C
  - Technical data, 6-8
  - Usage of integrated I/Os, 6-30
- CPU 313C-2 DP
  - Technical data, 6-14
  - Usage of integrated I/Os, 6-30
- CPU 313C-2 PtP
  - Technical data, 6-14
  - Usage of integrated I/Os, 6-30
- CPU 314C-2 DP
  - Technical data, 6-21
  - Usage of integrated I/Os, 6-30
- CPU 314C-2 PtP
  - Technical data, 6-21
  - Usage of integrated I/Os, 6-30
- CPU memory reset, 4-13
- CPUs 31xC
  - Differences, 2-3
- Cycle time
  - Calculation, 5-5
  - Definition, 5-2
  - Extension, 5-4
  - Maximum cycle time, 5-9
  - Process image, 5-2
  - Sample calculation, 5-24
  - Sequence of cyclic program processing, 5-3
  - Time slice model, 5-2

## D

- Data consistency, 3-16
- Diagnostics
  - Standard I/O, 6-46
  - Technological functions, 6-46
- Differences between the CPUs, 2-3
- Digital inputs
  - Configuration, 6-39
  - Technical data, 6-47
- Digital outputs
  - Configuration, 6-41
  - Fast, 6-48
  - Technical data, 6-49
- Download
  - of blocks, 4-11

## E

- Error displays, 2-11

## G

- Global data communication, 3-9

## I

- I/O process image, 4-5
- IE/PB Link, Glossary-17
- Industrial Ethernet, 3-16, Glossary-15
- Integrated I/Os
  - Usage, 6-28, 6-33
- Interfaces
  - MPI, 3-1
  - PtP interface, 3-3, 3-5
  - Which devices can I connect to which interface?, 3-2
- Interrupt inputs, 6-45
  - Configuration, 6-39
- Interrupt response time
  - Calculation, 5-22
  - Definition, 5-21
  - of signal modules, 5-22
  - of the CPUs, 5-21
  - Process interrupt processing, 5-23
  - Sample calculation, 5-27
- Interrupt, delay, 5-23

## L

- Load memory, 4-1
- Local data, 4-8
- Longest response time
  - Calculation, 5-18
  - Conditions, 5-17

## M

- Maximum cycle time, 5-9
- Memory
  - Compression, 4-13
- Memory areas
  - Load memory, 4-1
  - RAM, 4-2
  - System memory, 4-2
- Memory functions
  - Compression, 4-13
  - CPU memory reset, 4-13
  - Download of blocks, 4-11
  - Promming, 4-13
  - RAM to ROM, 4-13
  - Restart, 4-14
  - Uploading blocks, 4-12, 4-13
  - Warm start, 4-14
- MMC - Useful life, 4-10
- Mode selector switch, 2-3, 2-6, 2-8, 2-10
- MPI, 3-1

## N

- Network node, 3-11

## O

- OB 83, 3-22
- OB86, 3-22

**P**

Power supply  
 Connector, 2-3, 2-6, 2-8, 2-10  
 Process interrupt processing, 5-23  
 PROFIBUS, 3-16, Glossary-15  
 PROFIBUS International, 3-17  
 PROFINET  
 Implementation, 3-17  
 PROFINET, 3-4, 3-16  
 interface, 3-3  
 Objectives, 3-17  
 PROFINET CBA, 3-17  
 PROFINET IO, 3-17  
 PROFINET IO, 3-18  
 PtP interface, 3-3, 3-5

**R**

RAM, 4-2  
 RAM to ROM, 4-13  
 Required basic knowledge, iii  
 Response time  
 Calculating the longest, 5-18  
 Calculating the shortest, 5-16  
 Conditions for the longest, 5-17  
 Conditions for the shortest, 5-16  
 Definition, 5-14  
 DP cycle times, 5-14, 5-15  
 Factors, 5-14  
 Fluctuation width, 5-14  
 Reduction with direct I/O access, 5-18  
 Sample calculation, 5-25  
 Restart, 4-14  
 Retentive memory, 4-2  
 Load memory, 4-2  
 Retentive behavior of memory objects, 4-3  
 System memory, 4-2  
 Routing  
 Access to stations on other subnets, 3-10  
 Example of an application, 3-14  
 Network node, 3-11  
 Requirements, 3-13

**S**

S7 basic communication, 3-7  
 S7 communication, 3-8  
 S7 connections  
 Distribution, 3-29  
 End point, 3-27  
 of CPUs 31xC, 3-30  
 Time sequence for allocation, 3-28  
 Transition point, 3-27  
 Sample calculation  
 of the cycle time, 5-24  
 Sample calculation  
 of interrupt response time, 5-27  
 of the response time, 5-25  
 Scope of this documentation, v  
 SFB 52, 3-21  
 SFB 53, 3-21  
 SFB 54, 3-21  
 SFB 81, 3-21  
 SFC 49, 3-21  
 SFC 70, 3-21  
 SFC 71, 3-21  
 SFC102, 3-21  
 SFC13, 3-21  
 SFC5, 3-21  
 SFC58, 3-21  
 SFC59, 3-21  
 Shortest response time  
 Calculation, 5-16  
 Conditions, 5-16  
 SIMATIC Micro Memory Card  
 Plug-in MMCs, 6-2, 7-2  
 Properties, 4-9  
 Slot, 2-2, 2-6, 2-8, 2-10  
 Simple Network Management Protocol, 3-26  
 SNMP, 3-26  
 SSL, 3-23  
 W#16#0696, 3-23  
 W#16#0A91, 3-23  
 W#16#0C91, 3-23  
 W#16#0C96, 3-23  
 W#16#0x94, 3-23  
 W#16#4C91, 3-23  
 W#16#xy92, 3-23  
 Status displays, 2-11  
 System and Standard Functions, 3-21  
 System memory, 4-2, 4-5  
 I/O process image, 4-5  
 Local data, 4-8

## T

### Technical data

- Analog inputs, 6-51
- Analog outputs, 6-53
- CPU 312C, 6-3, 7-3, 7-8, 7-13, 7-26, 7-33
- CPU 313C, 6-8
- CPU 313C-2 DP, 6-14
- CPU 313C-2 PtP, 6-14
- CPU 314C-2 DP, 6-21
- CPU 314C-2 PtP, 6-21
- Digital inputs, 6-47
- Digital outputs, 6-49

## U

- Upload, 4-12, 4-13
- Useful life of an MMC, 4-10
- User program
  - Upload, 4-12, 4-13

## W

- Warm start, 4-14
- Watchdog interrupt, 5-23